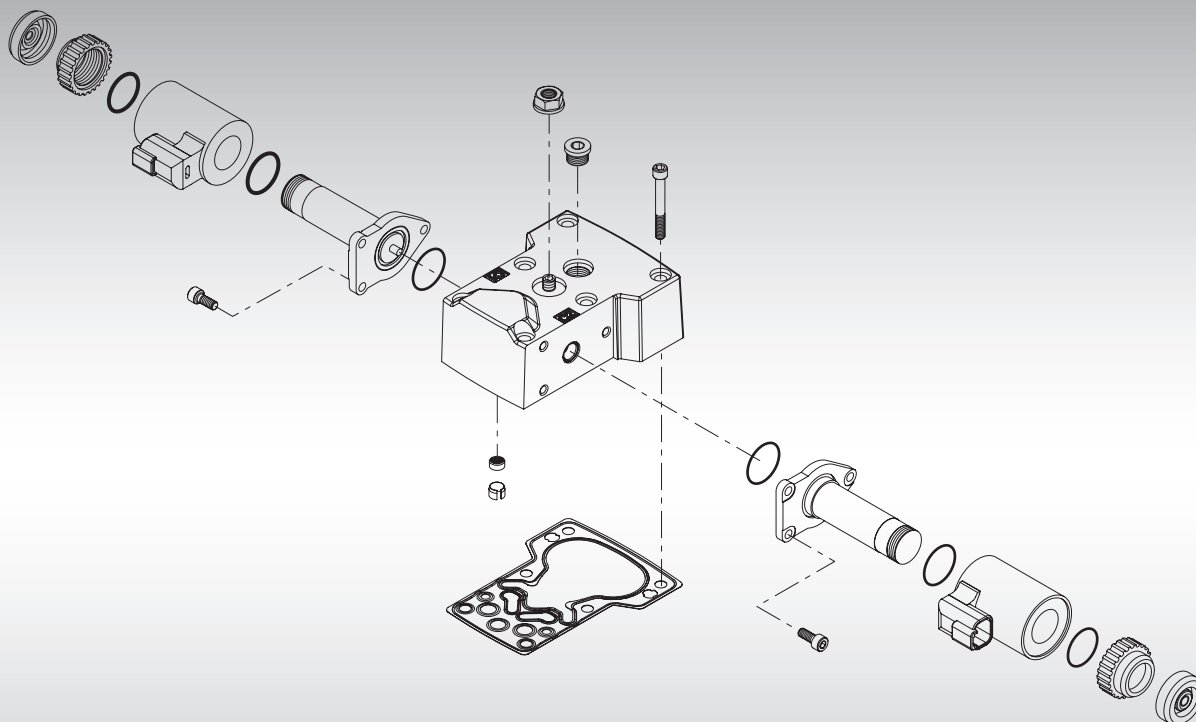




Parts Manual

H1P 115 & 130cc

Variable Displacement Pump







Contents

General Information	Service parts identification.....	4
	Nameplate	4
	Date code	5
	Service bulletins.....	5
	Procedure to identify a part.....	5
	Adobe Acrobat 2-page viewing.....	6
	Order code	7
Variable displacement pump	Common parts	8-9
	Special hardware	8-9
	Control.....	10-75
	Displacement limitation	76-77
	Orifice	78-79
	End cap.....	80-95
	Housing.....	96-97
	Shaft	98-99
	Auxiliary mounting	100-103
	High pressure setting, port A	104-111
	High pressure setting, port B	112-121
	Charge pump.....	122-123
	Filtration.....	122-125
	Charge pressure relief.....	126-127
	ILS setting.....	128-131
	Overhaul seal kit	130
Service bulletins	SB-2009-046 (servo cylinder and locking plate)	131
	SB-2009-068 (servo screen retention).....	132
	SB-2011-022 (charge pump shaft and gerotor)	133
	SB-2011-039 (cylinder block, slipper retainer guide and spring washer)	134
	SB-2012-026 (shaft)	135
	SB-2013-003 (valve plate).....	136
	SB-2013-019 (charge pump seal ring)	137
	SB-2016-004 (charge relief valve).....	138
	SB-2016-005 (end cap, aux flange)	139-140
	SB-2016-033 (control gasket).....	141



General information

Service parts identification

The following information and procedure is used to identify the module group, item number, manufacture date, part number, and part name of the parts included in the H1 115 and 130cc variable displacement pumps.

The parts listed include all parts which may be used when performing either “Minor Repairs”, “Major Repairs” or “Conversions” on the H1 115 and 130cc pump.

Nameplate

Each unit will have a nameplate affixed to the housing. The nameplate will include the following information.

Model Code

The Sauer-Danfoss model code completely defines the specific unit and must be used when ordering parts to service this product.

Model Number

The Sauer-Danfoss model number is used by the factory in manufacturing. On repeat orders, a complete unit can be ordered by the model number.

Serial Number

The Sauer-Danfoss serial number is used to identify the manufacture date and the unit sequence in the build. The serial number is also used to identify the units warranty time period.

The letter code indicates the location of original manufacture (assembly). “N” indicates the unit was originally assembled in Neumuenster, Germany.

The first number (2 digits) indicates the year of manufacture. (“08” would indicate the unit was manufactured in 2008)

The second number (2 digits) indicates the calendar week of manufacture.

The third number (5 digits) is a sequential number used to identify a specific unit.





General information

Date code

The date code is defined as the year and week of manufacture. The same item number may list more than one part number. This indicates that there is more than one configuration for that item number. You will see that there are different date codes for the different part numbers. Find the date code of your unit from the nameplate to determine which service part number you need to order.

EXAMPLE: The service part desired is Item G30

Order Code	Item	Date Begin	Date End	Part Number	Part Name	Qty. per Model/Kit
80	G30	89-17		8000243	End cap gasket	1
	G30	87-02	89-16	8000151	End cap gasket (SB-1995-006)	1

All units using this order code with a date code of 87-02 and up to and including 89-16, must use part number "8000151". All units with a date code of 89-17 and newer must use part number "8000243".

Service bulletins

A Service Bulletin Number (SB-____-____) may follow the "Part Name" of the part you desire. You must read that Service Bulletin prior to ordering that part. The information contained in these Service Bulletins, as of the print date of this bulletin, are included at the end of this manual. Service Bulletins contain more detailed information such as interchangeability, what additional parts are involved, etc. It is suggested that you add additional Service Bulletins to this manual as you receive them.

Procedure to identify a part

General

The modular design of H1 units results in a simplified service parts list and part number identification procedure.

The same item numbers are used for same part names on all units within a product type. (Example: The lip seal - Item J250 has the same item number on all pumps.)

A part number that has another number following it in parentheses is done to make this a world wide manual. The first number is sold in Germany. The number in parentheses is sold in the United States. (Example: 314583 (9008000-0118), customers would order 9008000-0118 if ordering the part in the United States.)

Example of a Part Identification

The nameplate on an H1 pump has an Order Code of H1P115 R B A B8 C2 C D6 G **G2** H3 L42 L42 L L 24 P1 NNN NNN. Use the following procedures to determine the part number of the drive shaft used on this pump.

1) Referring to the input shaft module in the Order Code (see page 7), the input shaft option for this pump is identified by the code "G1". (H1P115 R B A B8 C2 C D6 G **G2** H3 L42 L42 L L 24 P1 NNN NNN)

2) Referring to the Service Parts List, find the shaft group. Next find the order code that relates to this unit, which is "G2". The shaft is found to be item J100 and part number 11123698

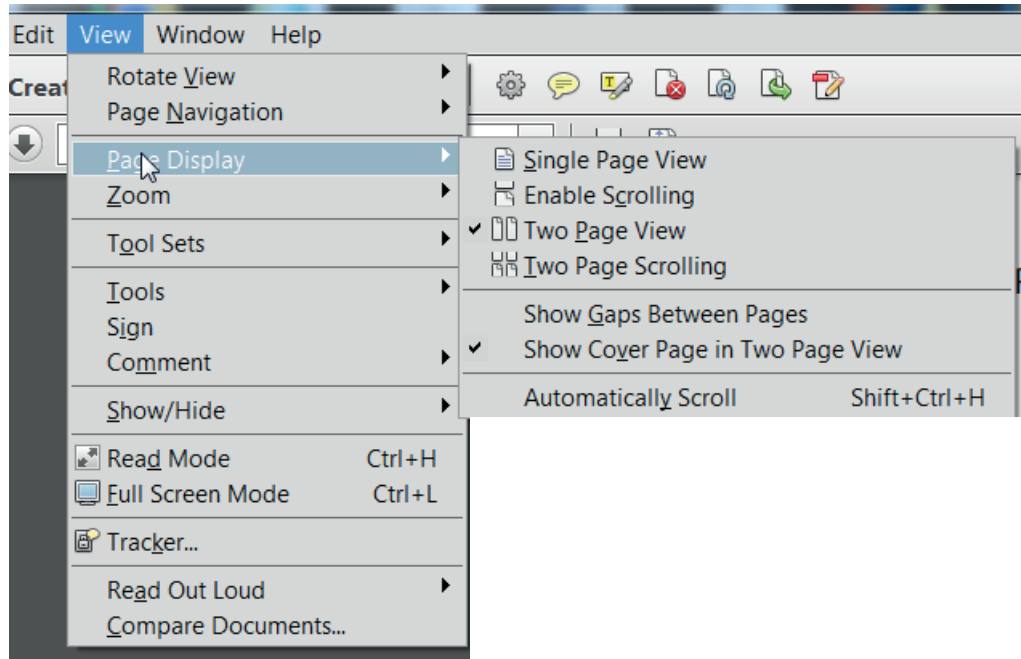


Adobe Acrobat 2-page viewing

Adobe Acrobat 2-page viewing

While viewing manual in Adobe Acrobat, the following settings need to be applied to ensure proper page display.

1. Select "View" --> "Page Display" --> "Two Page View"
2. Select "View" --> "Page Display" --> "Show Cover Page in Two Page View"





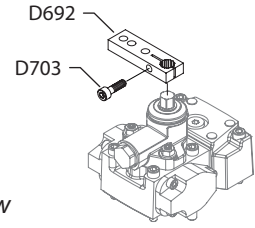
Order code



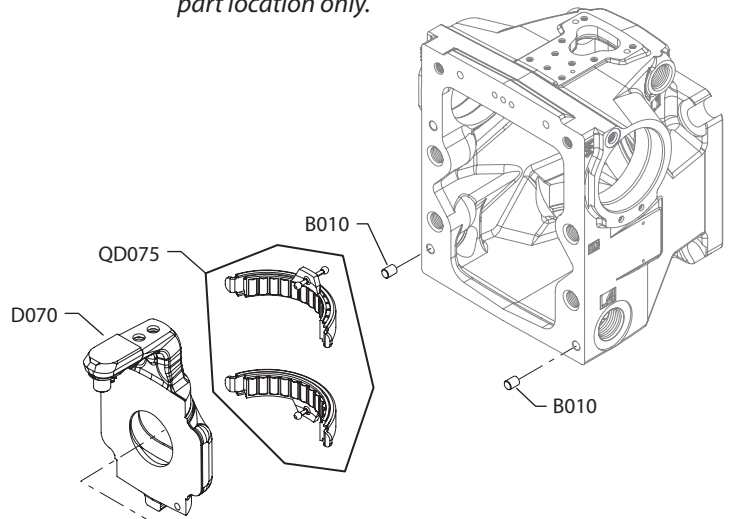


Variable displacement pump

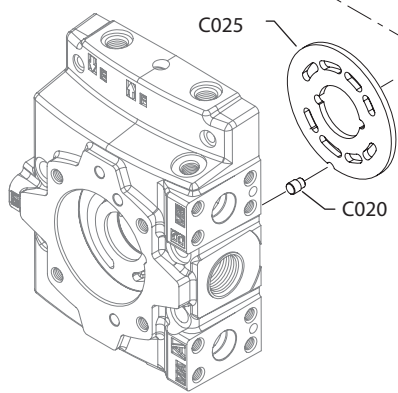
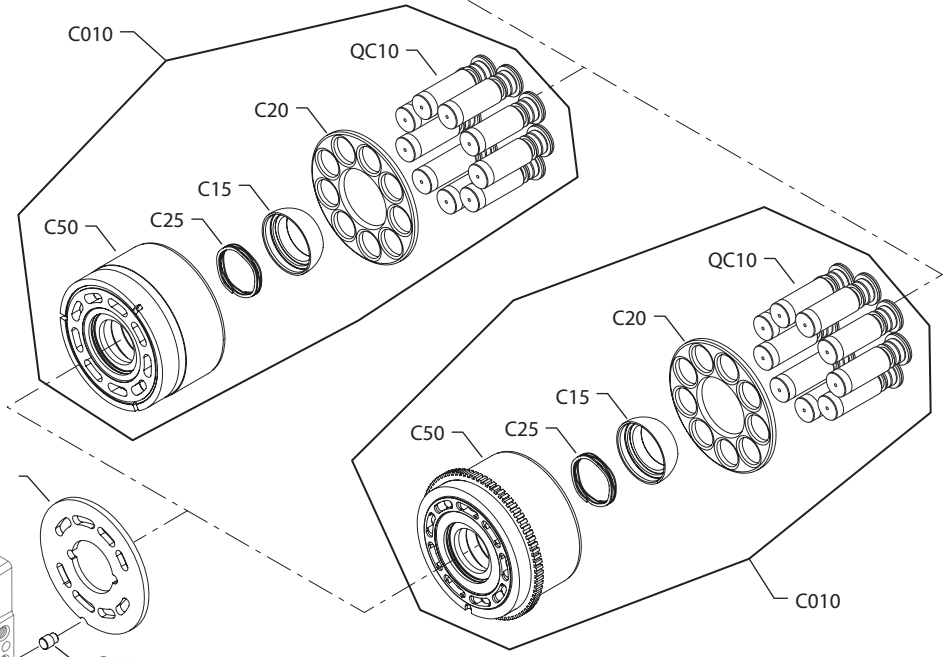
(H1)



Generic control and housing used to show part location only.



**(H1, M1, NN,
P1, & PN)**



(M2, P2 & P4)


Variable displacement pump
Common parts

Order Code	Item	Date Begin	Date End	Part Number	Part Name	Qty. per Model/Kit
	B010	08-10		9004800-3708	Dowel pin	2
	C020	08-10		141128	Valve plate pin, CCW	1
	C020	08-10		141126	Valve plate pin, CW	1
	C15	11-38		11121504	Slipper retainer ball guide, 115cc (SB-2011-039)	1
	C15	11-35		11121504	Slipper retainer ball guide, 130cc (SB-2011-039)	1
	C20	08-10		141254	Slipper retainer	1
	C25	11-38		11175204	Spring washer, 115cc (SB-2011-039)	1
	C25	11-35		11175204	Spring washer, 130cc (SB-2011-039)	1
	D070	08-10		11105986	Swashplate	1
	QC10	08-10		11046044	Slipper/piston kit, 115 cc	1
	QC10	08-10		11046045	Slipper/piston kit, 130 cc	1
	QD075	08-10		11046046	Swashplate bearing kit	1

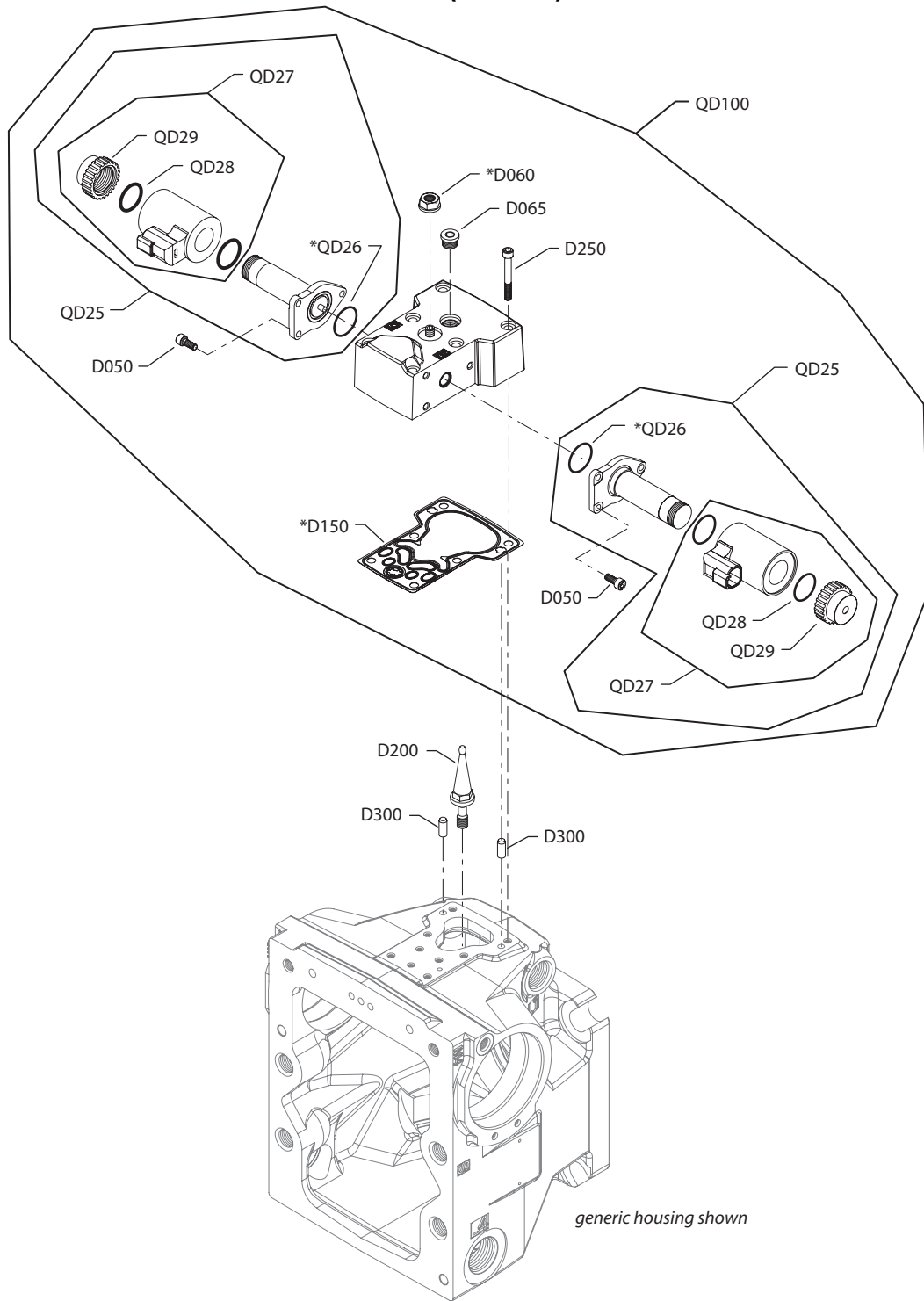
Special hardware

H1	C010	13-28		141393/P	Cylinder block kit, 115 cc	1
	C010	13-28		141252/P	Cylinder block kit, 130 cc	1
	C025	13-28		11125571	Valve plate, CCW	1
	C025	13-28		11123707	Valve plate, CW	1
	C50	13-28		11124490	Cylinder block assembly, 115 cc	1
	C50	13-28		11126003	Cylinder block assembly, 130 cc	1
	D692	13-28		11113513	Control handle	1
	D703	13-28		041160 (9007314-0605)	Screw, M6 x 20	1
NN & PN	C010	09-51		141393/P	Cylinder block kit, 115 cc	1
	C010	09-51		141252/P	Cylinder block kit, 130 cc	1
	C025	09-51		11125571	Valve plate, CCW (SB-2013-003)	1
	C025	09-51		11123707	Valve plate, CW (SB-2013-003)	1
	C50	11-38		11124490	Cylinder block assembly, 115 cc	1
	C50	11-35		11126003	Cylinder block assembly, 130 cc	1
M1 & P1	C010	09-51		141393/P	Cylinder block kit, 115 cc	1
	C010	09-51		141252/P	Cylinder block kit, 130 cc	1
	C025	09-51		11125569	Valve plate, CCW (SB-2013-003)	1
	C025	09-51		11125572	Valve plate, CW (SB-2013-003)	1
	C50	11-38		11124490	Cylinder block assembly, 115 cc	1
	C50	11-35		11126003	Cylinder block assembly, 130 cc	1
M2 & P2	C010	09-51		11030115	Cylinder block kit w/speed ring, 115 cc	1
	C010	09-51		11030173	Cylinder block kit w/speed ring, 130 cc	1
	C025	09-51		11125569	Valve plate, CCW (SB-2013-003)	1
	C025	09-51		11125572	Valve plate, CW (SB-2013-003)	1
	C50	11-38		11124491	Cylinder block assembly, speed ring, 115 cc	1
	C50	11-35		11124493	Cylinder block assembly, speed ring, 130 cc	1
P4	C010	10-17		11030115	Cylinder block kit w/speed ring, 115 cc	1
	C010	10-17		11030173	Cylinder block kit w/speed ring, 130 cc	1
	C025	10-17		11125571	Valve plate, CCW (SB-2013-003)	1
	C025	10-17		11123707	Valve plate, CW (SB-2013-003)	1
	C50	11-38		11124491	Cylinder block assembly, speed ring, 115 cc	1
	C50	11-35		11124493	Cylinder block assembly, speed ring, 130 cc	1



Variable displacement pump

(A2 & A3)



E100 912E

* = included in overhaul seal kit Q210



Variable displacement pump

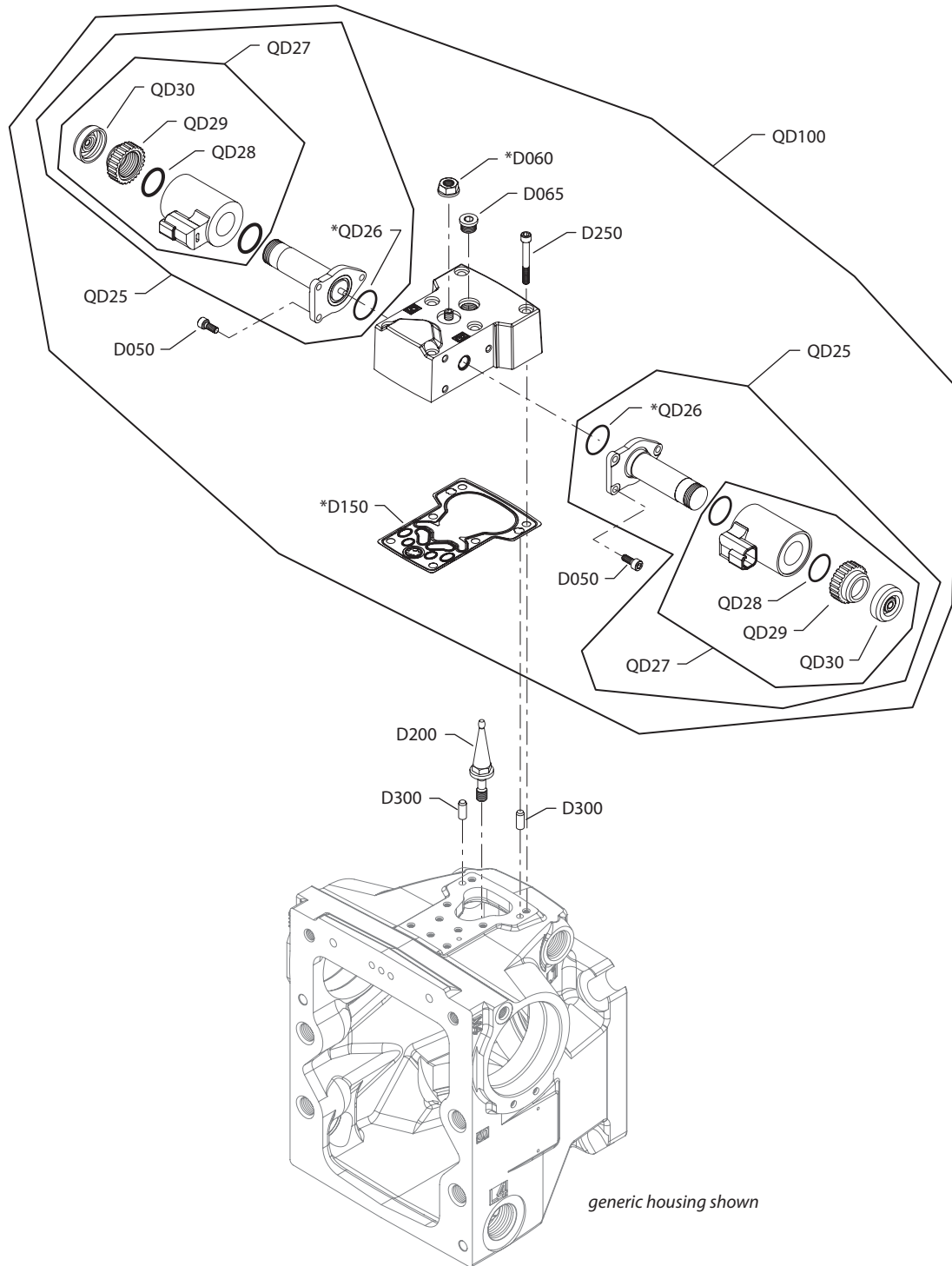
Control

Order Code	Item	Date Begin	Date End	Part Number	Part Name	Qty. per Model/Kit
A2	D050	08-10		716860	Screw	6
	D060	08-10		612291 (9003508-0008)	Seal nut	1
	D065	08-10		140642	Plug assembly	1
	D150	08-10		11173377	Control gasket (SB-2016-033)	1
	D200	08-10		11148827	Swashplate feedback link	1
	D250	08-10		505038	Screw, M6 x 45	6
	D300	08-10		310979	Dowel pin	2
	QD25	08-10		11012457	Proportional solenoid, 12V	2
	QD26	08-10		11001952	O-ring	2
	QD27	08-10		11028018	Coil kit, 12V, Deutsch connector	2
	QD28	08-10		063172	O-ring	2
	QD29	08-10		11027046	Coil nut	2
	QD100	08-10		11019680	EDC kit, 12V, Deutsch connector, fast	1
A2	D050	16-09		716860	Screw	6
(metric)	D060	16-09		612291 (9003508-0008)	Seal nut	1
	D065	16-09		5000572	Plug assembly, M12	1
	D150	16-09		11173377	Control gasket (SB-2016-033)	1
	D200	16-09		11148827	Swashplate feedback link	1
	D250	16-09		505038	Screw, M6 x 45	6
	D300	16-09		310979	Dowel pin	2
	QD25	16-09		11012457	Proportional solenoid, 12V	2
	QD26	16-09		11001952	O-ring	2
	QD27	16-09		11028018	Coil kit, 12V, Deutsch connector	2
	QD28	16-09		063172	O-ring	2
	QD29	16-09		11027046	Coil nut	2
	QD100	16-09		11173918	EDC kit, metric, 12V, Deutsch connector, fast	1
A3	D050	08-10		716860	Screw	6
	D060	08-10		612291 (9003508-0008)	Seal nut	1
	D065	08-10		140642	Plug assembly	1
	D150	08-10		11173377	Control gasket (SB-2016-033)	1
	D200	08-10		11148827	Swashplate feedback link	1
	D250	08-10		505038	Screw, M6 x 45	6
	D300	08-10		310979	Dowel pin	2
	QD25	08-10		11012459	Coil kit, 24V, Deutsch connector	2
	QD26	08-10		11001952	O-ring	2
	QD27	08-10		11028019	Coil kit, 24V, Deutsch connector	2
	QD28	08-10		063172	O-ring	2
	QD29	08-10		11028024	Coil nut	2
	QD100	08-10		11019681	EDC kit, 24V, Deutsch connector, fast	1



Variable displacement pump

(A4 & A5)



generic housing shown

E100 992E

* = included in overhaul seal kit Q210

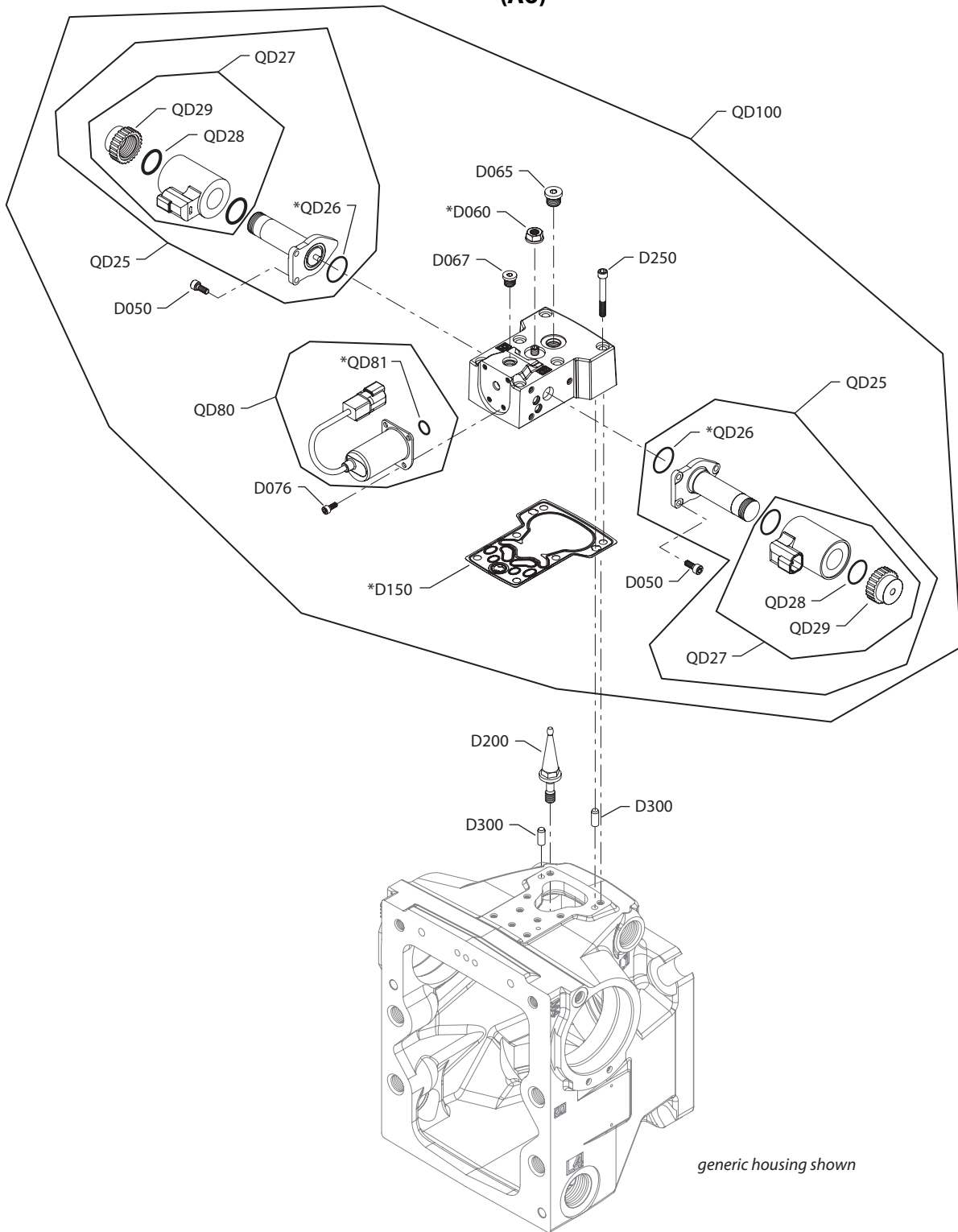

Variable displacement pump
Control

Order Code	Item	Date Begin	Date End	Part Number	Part Name	Qty. per Model/Kit
A4	D050	08-10		716860	Screw	6
	D060	08-10		612291 (9003508-0008)	Seal nut	1
	D065	08-10		140642	Plug	1
	D150	08-10		11173377	Control gasket (SB-2016-033)	1
	D200	08-10		11148827	Swashplate feedback link	1
	D250	08-10		505038	Screw	6
	D300	08-10		310979	Dowel pin	2
	QD25	08-10		140750	Proportional solenoid, 12v	2
	QD26	08-10		11001952	O-ring	2
	QD27	08-10		11004698	Coil kit, 12v, Deutsch connector	2
	QD28	08-10		063172	O-ring	2
	QD29	08-10		11004749	Coil nut	2
	QD30	08-10		11027883	Cap	2
	QD100	08-10		11019732	EDC kit, 12V, high gain spool, manual override	1
	A5	D050	08-10		716860	Screw
D060		08-10		612291 (9003508-0008)	Seal nut	1
D065		08-10		140642	Plug	1
D150		08-10		11173377	Control gasket (SB-2016-033)	1
D200		08-10		11148827	Swashplate feedback link	1
D250		08-10		505038	Screw	6
D300		08-10		310979	Dowel pin	2
QD25		08-10		140751	Proportional solenoid, 24v	2
QD26		08-10		11001952	O-ring	2
QD27		08-10		11004700	Coil kit, 24v, Deutsch connector	2
QD28		08-10		063172	O-ring	2
QD29		08-10		11004750	Coil nut	2
QD30		08-10		11027883	Cap	2
QD100		08-10		11019733	EDC kit, 24V, high gain spool, manual override	1
A5 (metric)		D050	16-09		716860	Screw
	D060	16-09		612291 (9003508-0008)	Seal nut, M8	1
	D065	16-09		5000572	Plug assembly, M12	1
	D150	16-09		11173377	Control gasket (SB-2016-033)	1
	D200	16-09		11148827	Swashplate feedback link	1
	D250	16-09		505038	Screw	6
	D300	16-09		310979	Dowel pin	2
	QD25	16-09		140751	Proportional solenoid, 24v	2
	QD26	16-09		11001952	O-ring	2
	QD27	16-09		11004700	Coil kit, 24v, Deutsch connector	2
	QD28	16-09		063172	O-ring	2
	QD29	16-09		11004750	Coil nut	2
	QD30	16-09		11027883	Cap	2
	QD100	16-09		11170082	EDC kit, metric, 24V, high gain spool, manual override	1



Variable displacement pump

(A6)



generic housing shown

E100 913E

* = included in overhaul seal kit Q210



Variable displacement pump

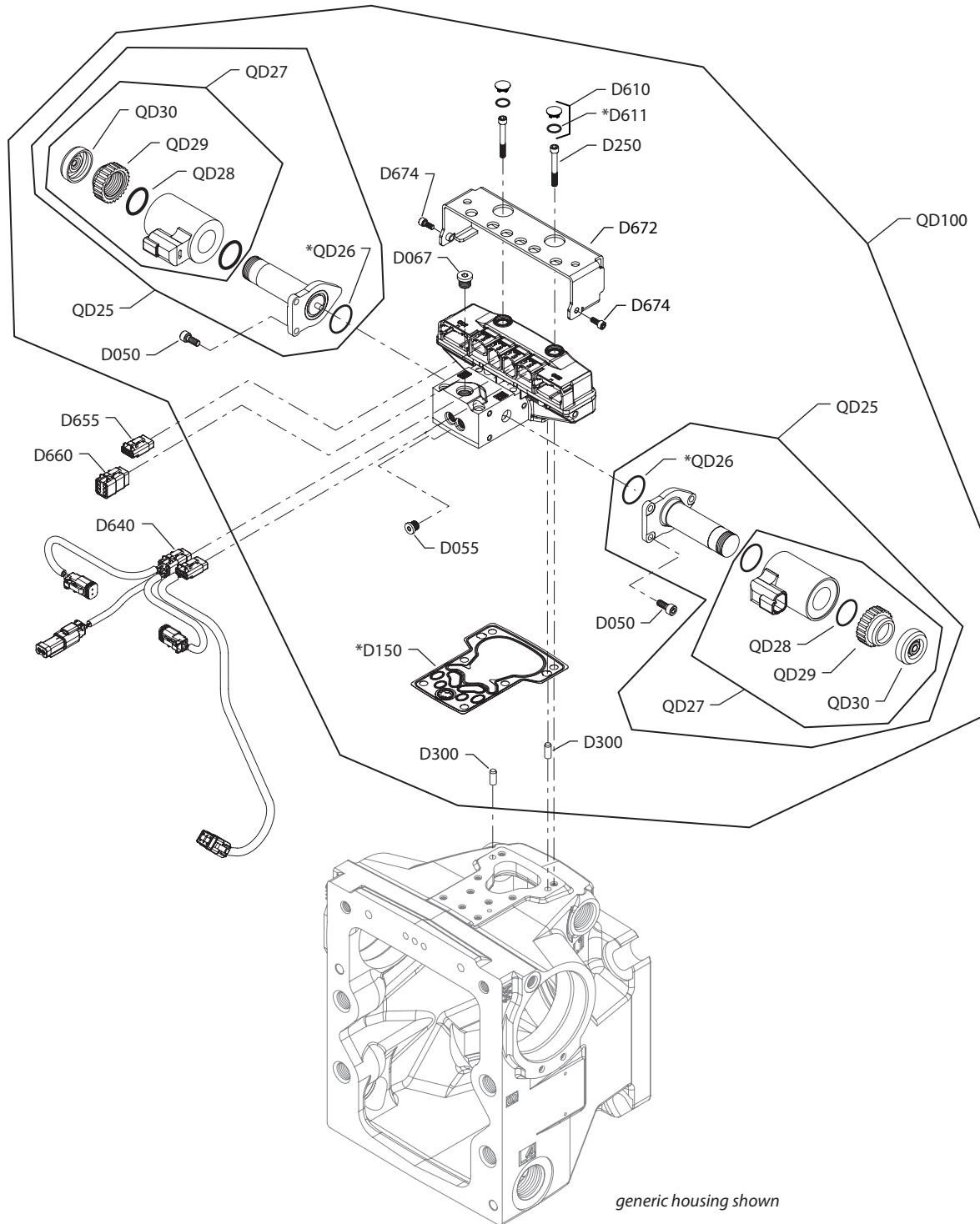
Control

Order Code	Item	Date Begin	Date End	Part Number	Part Name	Qty. per Model/Kit
A6	D050	08-10		716860	Screw	6
	D060	08-10		612291 (9003508-0008)	Seal nut	1
	D065	08-10		140642	Plug assembly	1
	D067	08-10		11040532	Plug assembly	1
	D076	08-10		346957	Screw, M4 x 8	4
	D150	08-10		11173377	Control gasket (SB-2016-033)	1
	D200	08-10		11148827	Swashplate feedback link	1
	D250	08-10		505038	Screw	6
	D300	08-10		310979	Dowel pin	2
	QD25	08-10		11012457	Proportional solenoid, 12V	2
	QD26	08-10		11001952	O-ring	2
	QD27	08-10		11028018	Coil kit, 12V, Deutsch connector	2
	QD28	08-10		063172	O-ring	2
	QD29	08-10		11027046	Coil nut	2
	QD80	08-10		11015978	Solenoid- on/off, 12 volt	1
	QD81	08-10		11059551	O-ring	1
	QD100	08-10		11019736	EDC kit, 12V, high gain spool, control override	1



Variable displacement pump

(A7)



generic housing shown

E101 757E

* = included in overhaul seal kit Q210

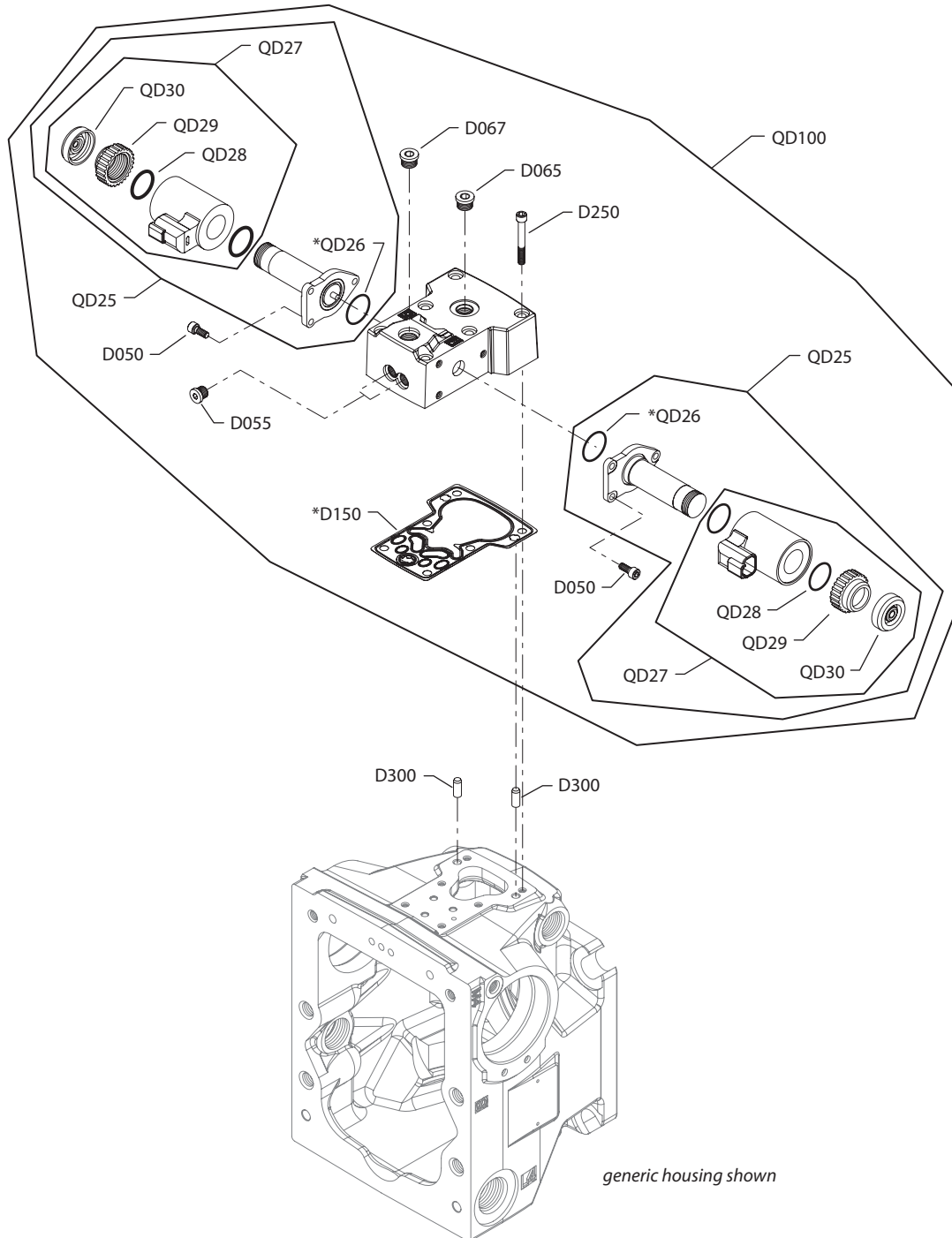

Variable displacement pump
Control

Order Code	Item	Date Begin	Date End	Part Number	Part Name	Qty. per Model/Kit
A7	D050	10-14		716860	Screw, M5 x 12	6
	D055	10-14		11040532	Plug assembly	2
	D067	10-14		140642	Plug assembly	1
	D150	10-14		11173377	Control gasket (SB-2016-033)	1
	D250	10-14		505038	Screw, M6 x 45	6
	D300	10-14		11036469	Dowel pin	2
	D610	10-14		11000467	Plug assembly	2
	D611	10-14		11066774	O-ring	2
	D640	10-14		11023348	AC wiring harness	1
	D655	10-14		11084827	Blank, connector DTM 06-3S	1
	D660	10-14		11084822	Blank, connector DTM 06-6S	1
	D672	10-14		11151875	Protection	1
	D674	10-14		716860	Screw, M5 x 12	2
	QD25	10-14		140750	Proportional solenoid, 12 volt	2
	QD26	10-14		11001952	O-ring	2
	QD27	10-14		11004698	Coil kit, 12v, Deutsch connector	2
	QD28	10-14		063172	O-ring	2
	QD29	10-14		11004749	Coil nut	2
	QD30	10-14		11027883	Cap	2
	QD100	10-14		11065118	Automotive control kit, 12v, manual override	1



Variable displacement pump

(A8)



E100 900E

* = included in overhaul seal kit Q210



Variable displacement pump

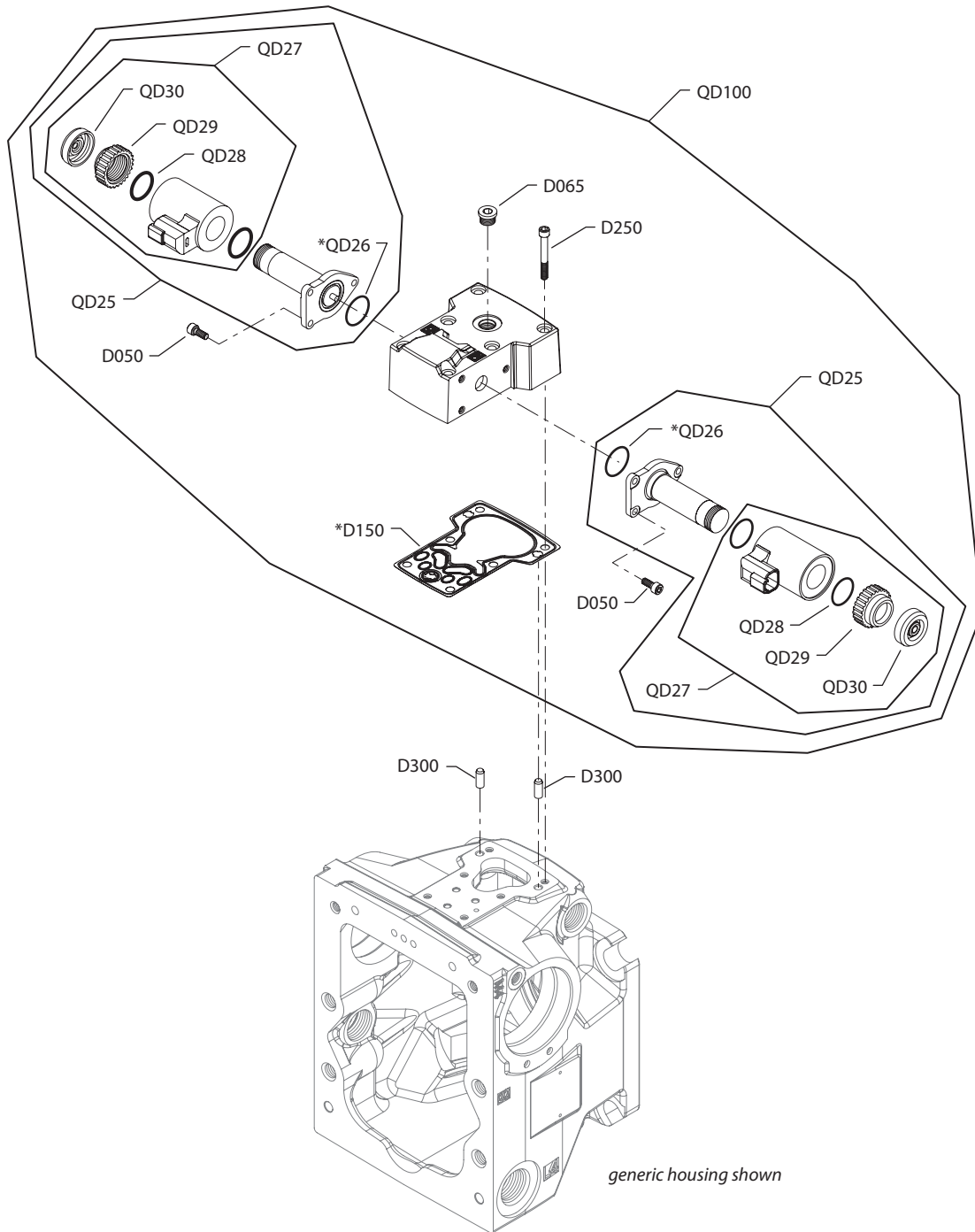
Control

Order Code	Item	Date Begin	Date End	Part Number	Part Name	Qty. per Model/Kit
A8	D050	08-10		716860	Screw	6
	D055	08-10		11040532	Plug assembly	2
	D065	08-10		140642	Plug assembly	1
	D067	08-10		140642	Plug assembly	1
	D150	08-10		11173377	Control gasket (SB-2016-033)	1
	D250	08-10		505038	Screw	6
	D300	08-10		310979	Dowel pin	2
	QD25	08-10		140750	Proportional solenoid, 12v, Deutsch connector	2
	QD26	08-10		11001952	O-ring	2
	QD27	08-10		11004698	Coil kit, 12v, Deutsch connector	2
	QD28	08-10		063172	O-ring	2
	QD29	08-10		11004749	Coil nut	2
	QD30	08-10		11027883	Cap	2
	QD100	08-10		11015803	NFPE control kit, 12V, manual override, Deutsch conn.	1



Variable displacement pump

(A9 & B1)



E101 735E

* = included in overhaul seal kit Q210

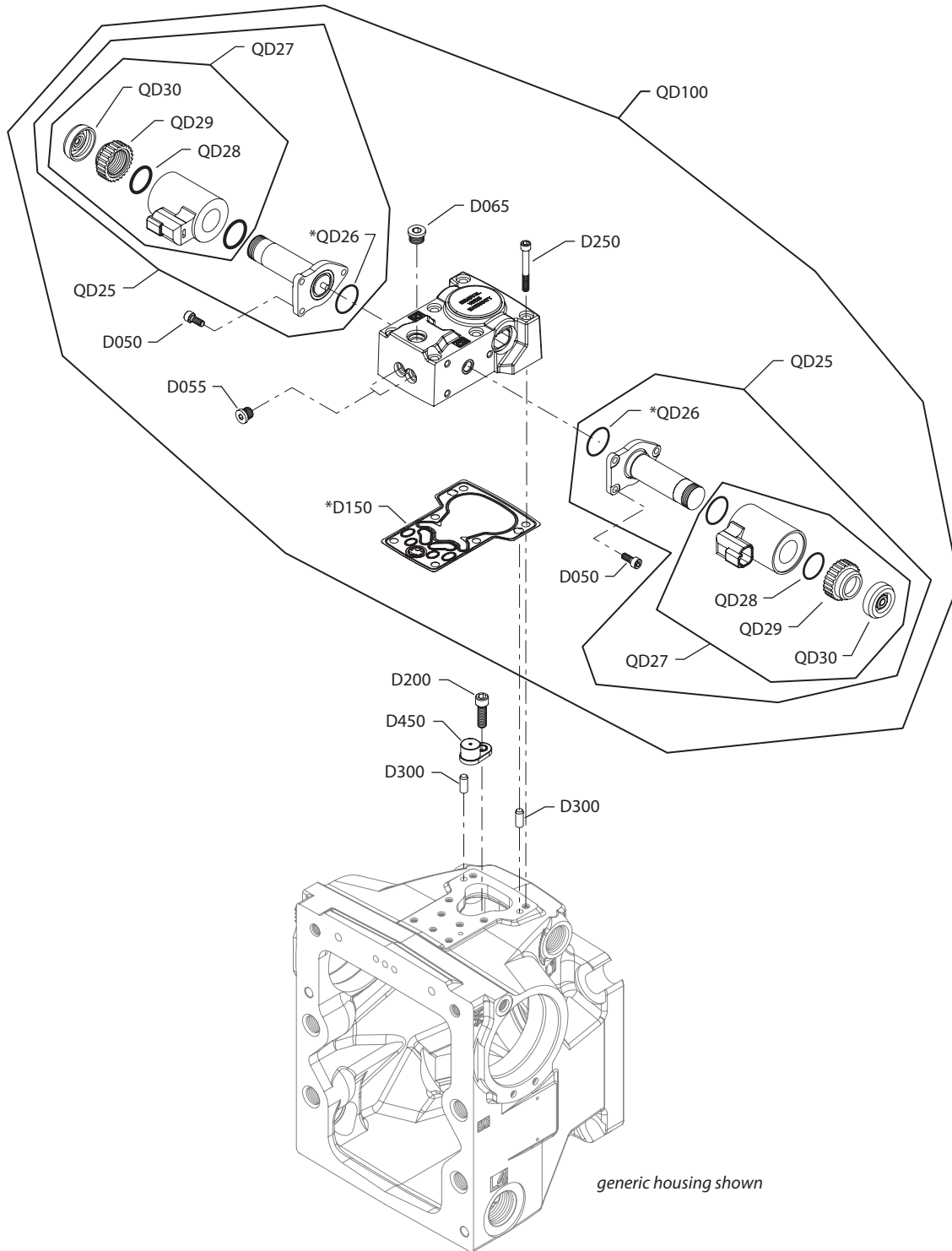

Variable displacement pump
Control

Order Code	Item	Date Begin	Date End	Part Number	Part Name	Qty. per Model/Kit
A9	D050	08-10		716860	Screw, M5 x 12	6
	D065	08-10		140642	Plug assembly	1
	D084	08-10		140967	Screen, 8mm 125 micron	1
	D098	08-10		11012505	Locking ring	1
	D150	08-10		11173377	Control gasket (SB-2016-033)	1
	D250	08-10		505038	Screw, M6 x 45	6
	D300	08-10		310979	Dowel pin	2
	QD25	08-10		141301	Proportional solenoid, 12v, Deutsch connector	2
	QD26	08-10		11001952	O-ring	2
	QD27	08-10		11005222	Coil kit, 12v, Deutsch connector	2
	QD28	08-10		063172	O-ring	2
	QD29	08-10		11004749	Coil nut	2
	QD30	08-10		11027883	Cap	2
	QD100	08-10		11025905	FNR control kit, 12v, manual override, Deutsch conn.	1
	B1	D050	08-10		716860	Screw, M5 x 12
D065		08-10		140642	Plug assembly	1
D084		08-10		140967	Screen, 8mm 125 micron	1
D098		08-10		11012505	Locking ring	1
D150		08-10		11173377	Control gasket (SB-2016-033)	1
D250		08-10		505038	Screw, M6 x 45	6
D300		08-10		310979	Dowel pin	2
QD25		08-10		141313	Proportional solenoid, 24v, Deutsch connector	2
QD26		08-10		11001952	O-ring	2
QD27		08-10		11005223	Coil kit, 24v, Deutsch connector	2
QD28		08-10		063172	O-ring	2
QD29		08-10		11004750	Coil nut	2
QD30		08-10		11027883	Cap	2
QD100		08-10		11025906	FNR control kit, 24v, manual override, Deutsch conn.	1



Variable displacement pump

(B5)



E101 911E

* = included in overhaul seal kit Q210



Variable displacement pump

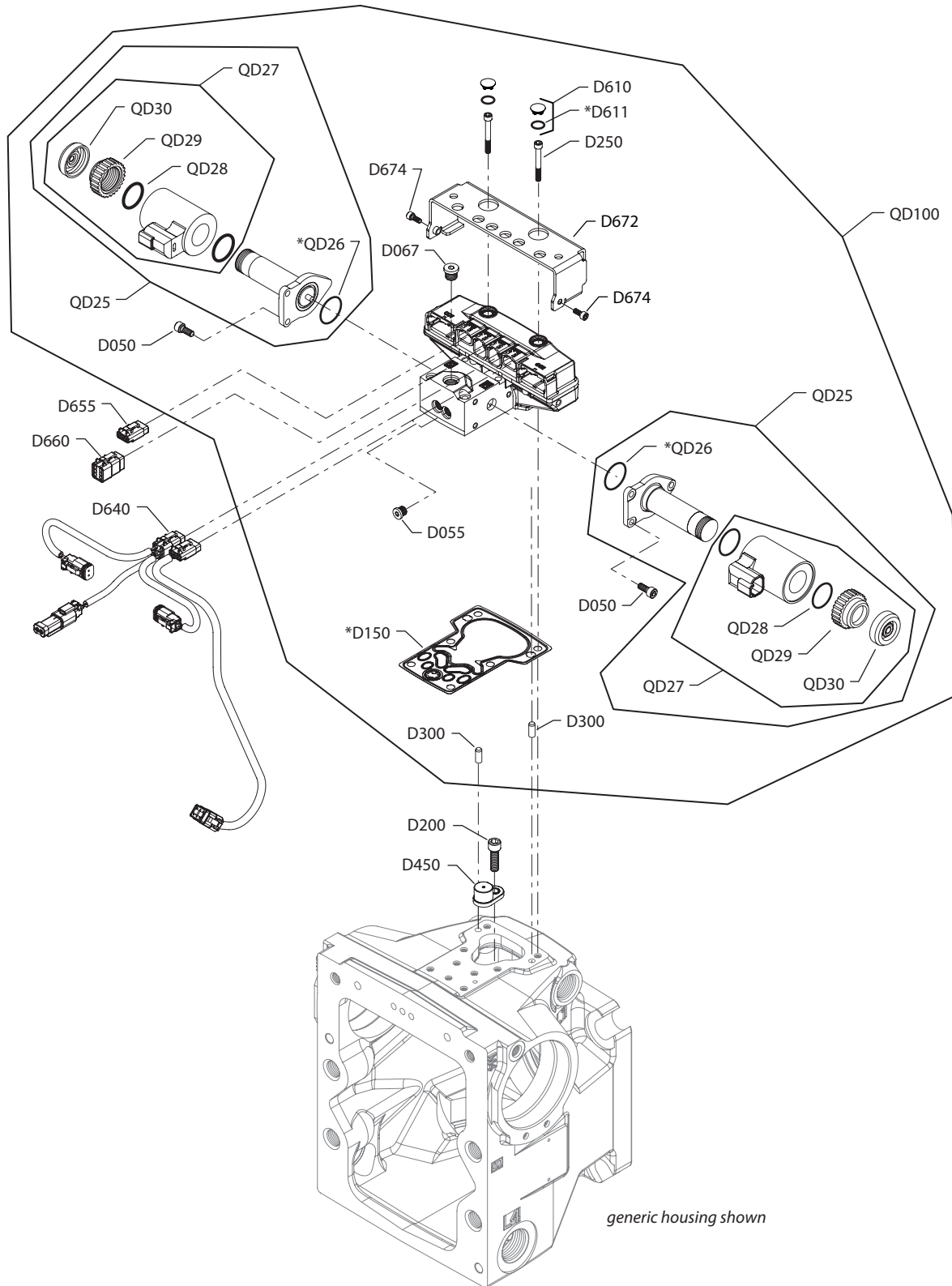
Control

Order Code	Item	Date Begin	Date End	Part Number	Part Name	Qty. per Model/Kit
B5	D050	10-14		716860	Screw	6
	D055	10-14		11040532	Plug assembly	2
	D067	10-14		140642	Plug assembly	1
	D150	10-14		11173377	Control gasket (SB-2016-033)	1
	D200	10-14		141472	Screw	1
	D250	10-14		505038	Screw	6
	D300	10-14		310979	Dowel pin	2
	D450	10-14		11003097	Magnet carrier	1
	QD25	10-14		140750	Proportional solenoid, 12 volt	2
	QD26	10-14		11001952	O-ring	2
	QD27	10-14		11004698	Coil kit, 12V, Deutsch connector	2
	QD28	10-14		063172	O-ring	2
	QD29	10-14		11004749	Coil nut	2
	QD30	10-14		11027883	Cap	2
	QD100	10-14		11050138	NFPE control kit, 12V, manual override	1



Variable displacement pump

(B7)



generic housing shown

E101 758E

* = included in overhaul seal kit Q210

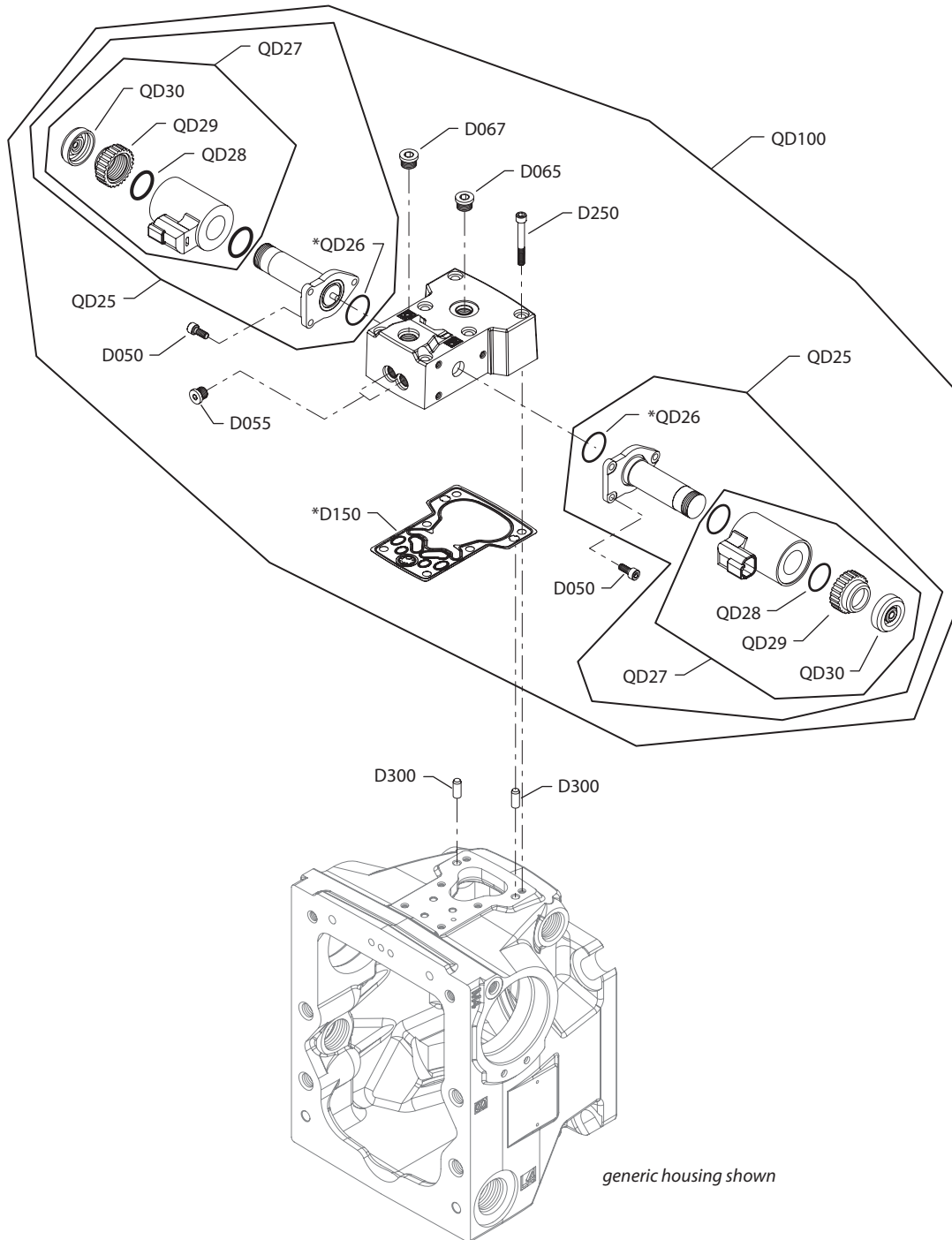

Variable displacement pump
Control

Order Code	Item	Date Begin	Date End	Part Number	Part Name	Qty. per Model/Kit
B7	D050	10-14		716860	Screw, M5 x 12	6
	D055	10-14		11040532	Plug assembly	2
	D067	10-14		140642	Plug assembly	1
	D150	10-14		11173377	Control gasket (SB-2016-033)	1
	D200	10-14		141472	Screw, special	1
	D250	10-14		505038	Screw, M6 x 45	6
	D300	10-14		11036469	Dowel pin	2
	D450	10-14		11003097	Magnet carrier	1
	D610	10-14		11000467	Plug assembly	2
	D611	10-14		11066774	O-ring	2
	D640	10-14		11023348	AC wiring harness	1
	D655	10-14		11084827	Blank, connector DTM 06-3S	1
	D660	10-14		11084822	Blank, connector DTM 06-6S	1
	D672	10-14		11151875	Protection	1
	D674	10-14		716860	Screw, M5 x 12	2
	QD25	10-14		140750	Proportional solenoid, 12 volt	2
	QD26	10-14		11001952	O-ring	2
	QD27	10-14		11004698	Coil kit, 12v, Deutsch connector	2
	QD28	10-14		063172	O-ring	2
	QD29	10-14		11004749	Coil nut	2
	QD30	10-14		11027883	Cap	2
	QD100	10-14		11065119	Automotive control kit, 12v, manual override	1



Variable displacement pump

(B8)



E100 900E

* = included in overhaul seal kit Q210

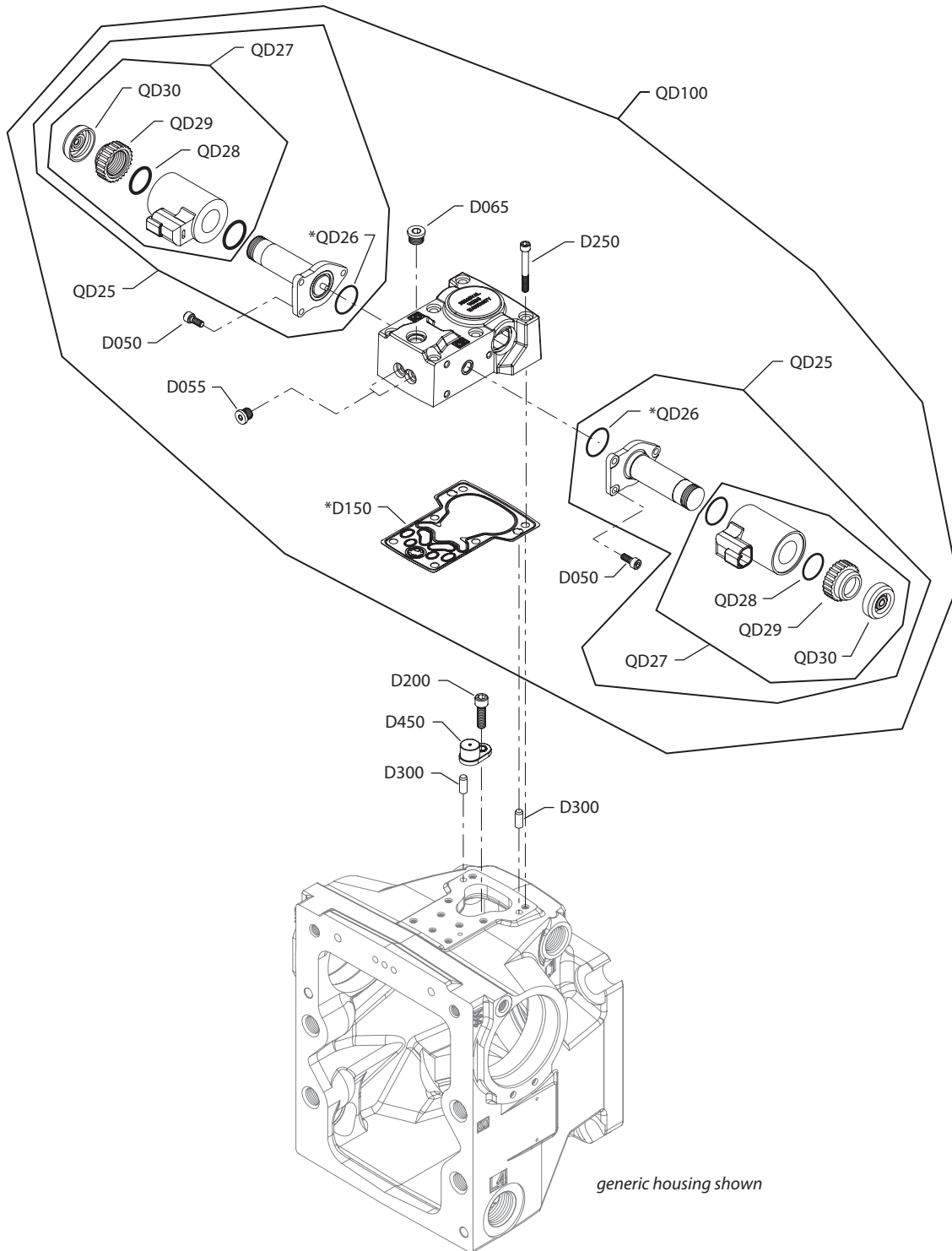

Variable displacement pump
Control

Order Code	Item	Date Begin	Date End	Part Number	Part Name	Qty. per Model/Kit
B8	D050	08-10		716860	Screw, M5 x 12	6
	D055	08-10		11040532	Plug assembly	2
	D065	08-10		140642	Plug assembly	1
	D067	08-10		140642	Plug assembly	1
	D150	08-10		11173377	Control gasket (SB-2016-033)	1
	D250	08-10		505038	Screw, M6 x 45	6
	D300	08-10		310979	Dowel pin	2
	QD25	08-10		140751	Proportional solenoid, 24v, Deutsch connector	2
	QD26	08-10		11001952	O-ring	2
	QD27	08-10		1104700	Coil kit, 24v, Deutsch connector	2
	QD28	08-10		063172	O-ring	2
	QD29	08-10		11004750	Coil nut	2
	QD30	08-10		11027883	Cap	2
	QD100	08-10		11025904	NFPE control kit, 24v, manual override, Deutsch conn.	1



Variable displacement pump

(B9)



E101 911E

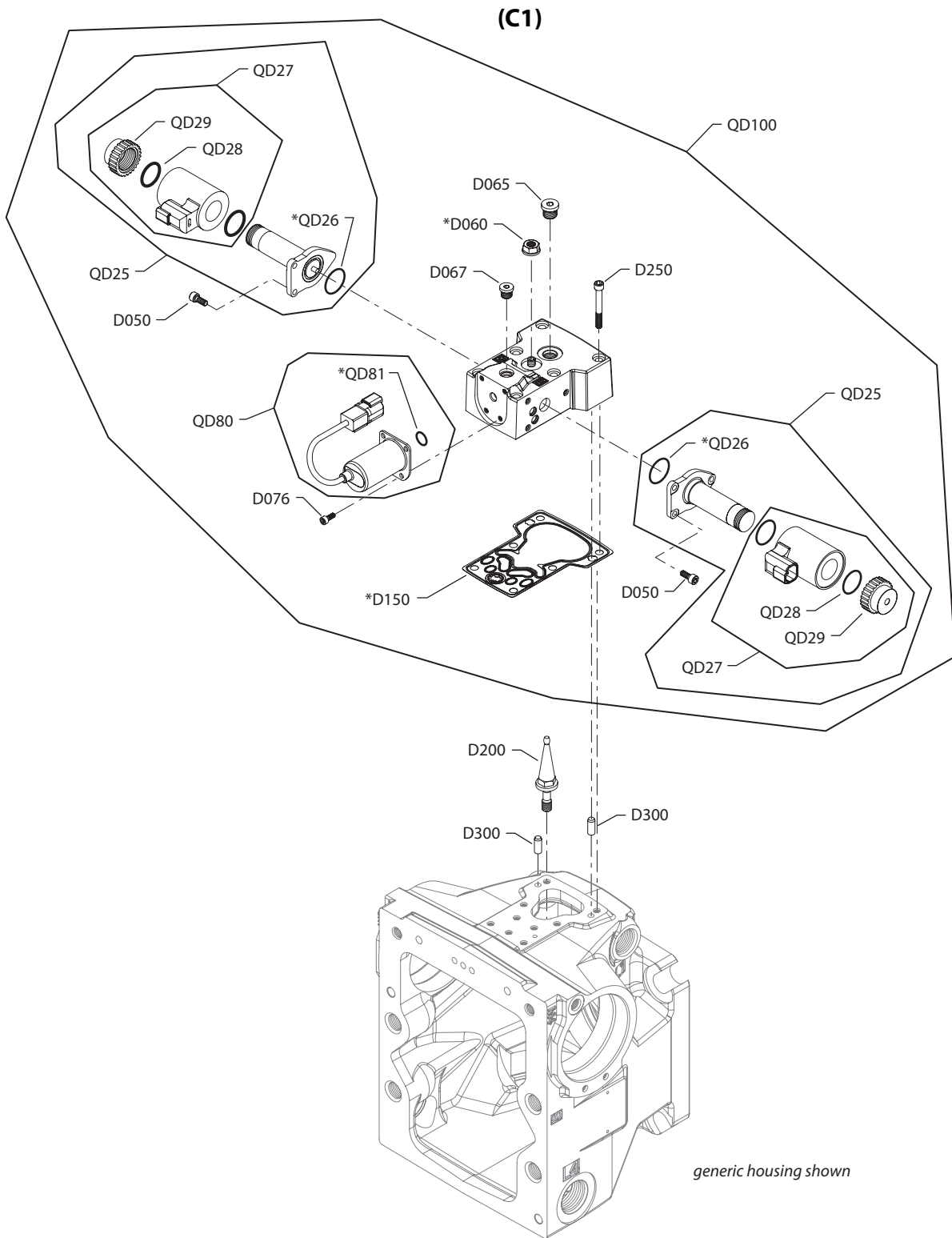
* = included in overhaul seal kit Q210


Variable displacement pump
Control

Order Code	Item	Date Begin	Date End	Part Number	Part Name	Qty. per Model/Kit
B9	D050	10-14		716860	Screw	6
	D055	10-14		11040532	Plug assembly	2
	D067	10-14		140642	Plug assembly	1
	D150	10-14		11173377	Control gasket (SB-2016-033)	1
	D200	10-14		141472	Screw	1
	D250	10-14		505038	Screw	6
	D300	10-14		310979	Dowel pin	2
	D450	10-14		11003097	Magnet carrier	1
	QD25	10-14		140751	Proportional solenoid, 24v, Deutsch connector	2
	QD26	10-14		11001952	O-ring	2
	QD27	10-14		1104700	Coil kit, 24v, Deutsch connector	2
	QD28	10-14		063172	O-ring	2
	QD29	10-14		11004750	Coil nut	2
	QD30	10-14		11027883	Cap	2
	QD100	10-14		11050137	NFPE control kit,, 24V, manual override	1



Variable displacement pump



E100 913E

* = included in overhaul seal kit Q210

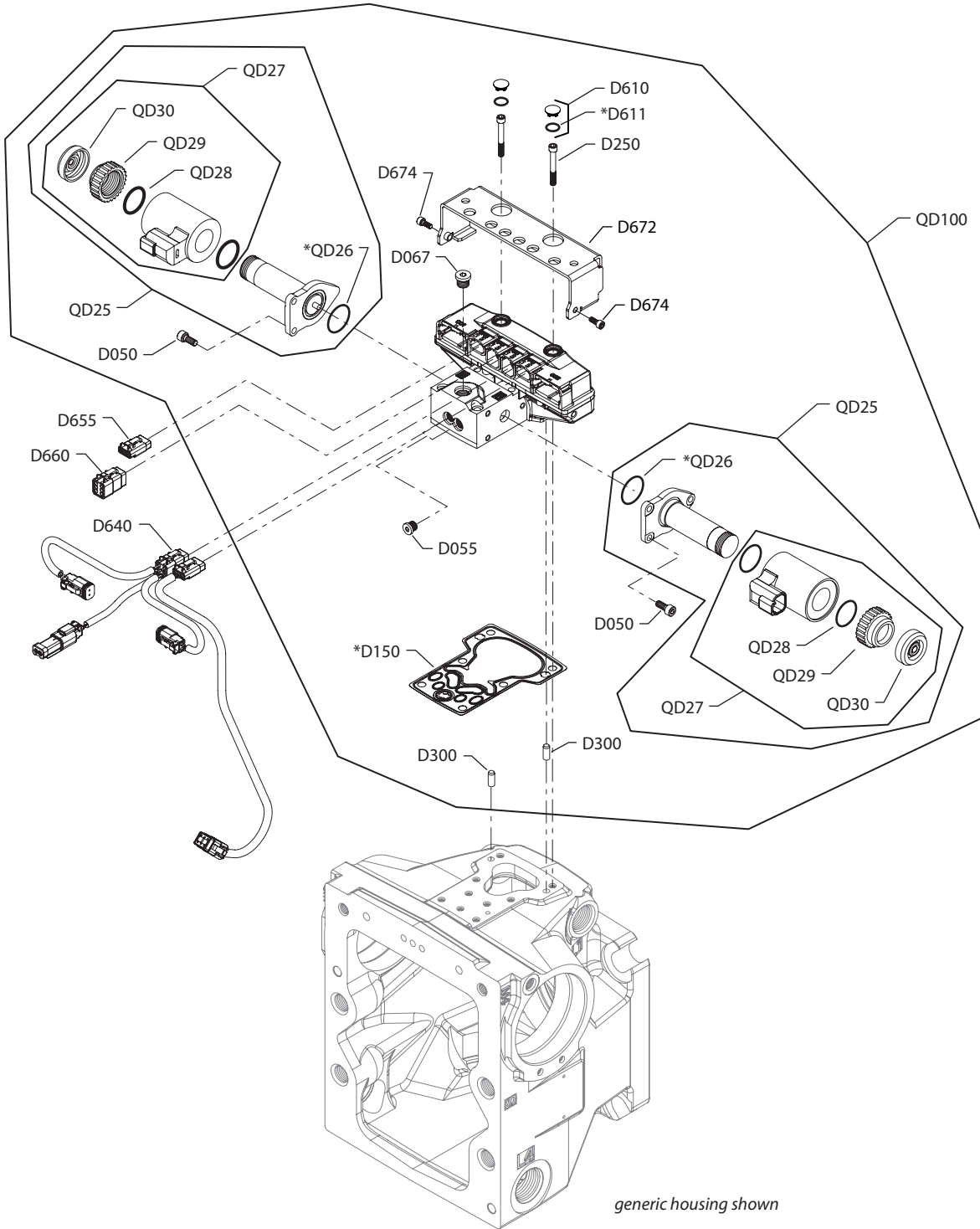

Variable displacement pump
Control

Order Code	Item	Date Begin	Date End	Part Number	Part Name	Qty. per Model/Kit
C1	D050	08-10	12-52	716860	Screw	6
	D060	08-10	12-52	612291 (9003508-0008)	Seal nut	1
	D065	08-10	12-52	140642	Plug assembly	1
	D067	08-10	12-52	11040532	Plug assembly	1
	D076	08-10	12-52	346957	Screw, M4 x 8	4
	D150	08-10	12-52	11173377	Control gasket (SB-2016-033)	1
	D200	08-10	12-52	11148827	Swashplate feedback link	1
	D250	08-10	12-52	505038	Screw	6
	D300	08-10	12-52	310979	Dowel pin	2
	QD25	08-10	12-52	11012459	Proportional solenoid, 24V, Deutsch connector	2
	QD26	08-10	12-52	11001952	O-ring	2
	QD27	08-10	12-52	11028019	Coil kit, 24V, Deutsch connector	2
	QD28	08-10	12-52	063172	O-ring	2
	QD29	08-10	12-52	11028024	Coil nut	2
	QD80	08-10	12-52	11015979	Solenoid, 24V	1
	QD81	08-10	12-52	11059551	O-ring	1
	QD100	08-10	12-52	11147472	EDC kit, 24V, high gain spool, control override	1



Variable displacement pump

(C2)



generic housing shown

E101 757E

* = included in overhaul seal kit Q210

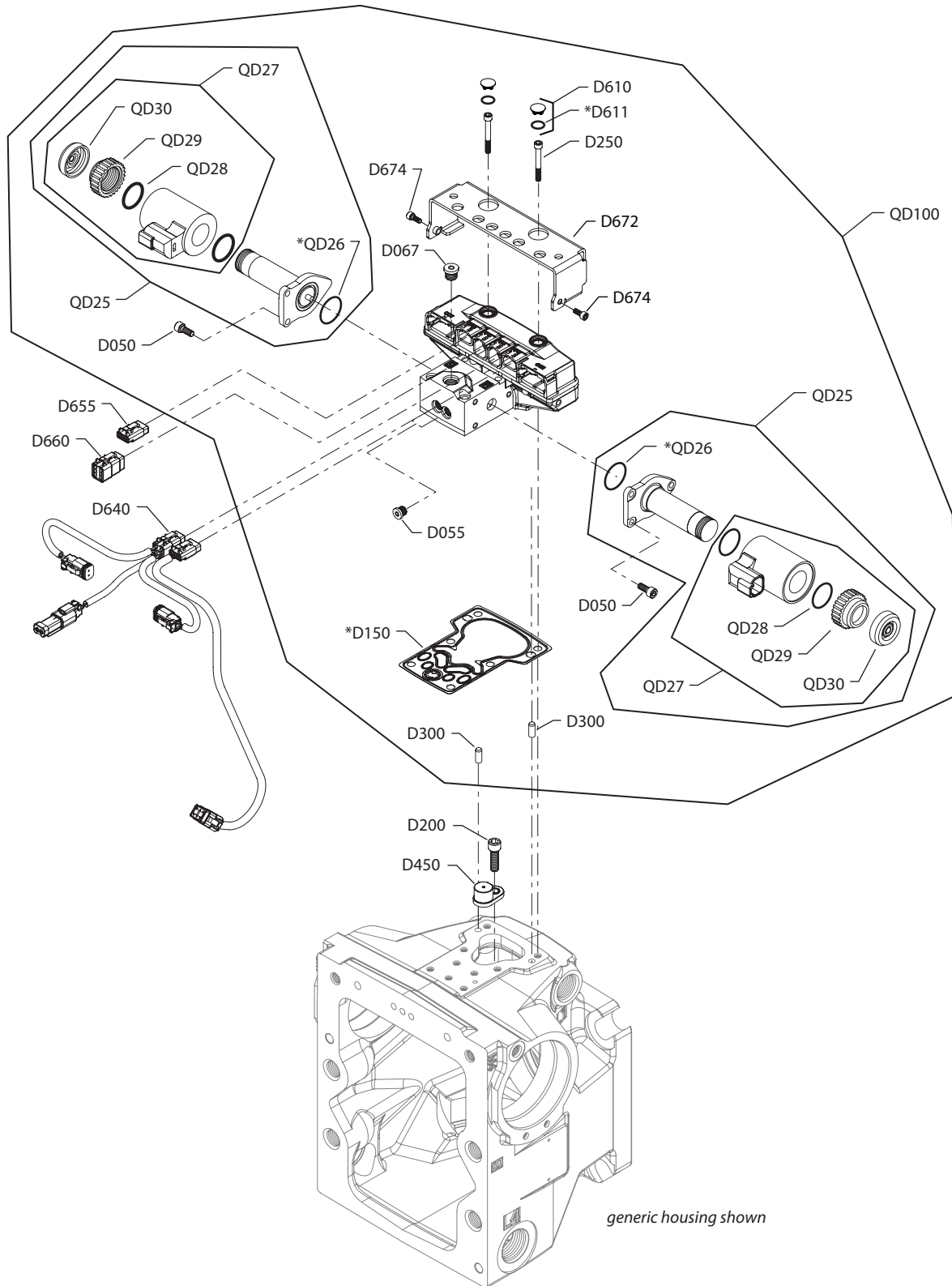

Variable displacement pump
Control

Order Code	Item	Date Begin	Date End	Part Number	Part Name	Qty. per Model/Kit
C2	D050	10-14		716860	Screw, M5 x 12	6
	D055	10-14		11040532	Plug assembly	2
	D067	10-14		140642	Plug assembly	1
	D150	10-14		11173377	Control gasket (SB-2016-033)	1
	D250	10-14		505038	Screw, M6 x 45	6
	D300	10-14		11036469	Dowel pin	2
	D610	10-14		11000467	Plug assembly	2
	D611	10-14		11066774	O-ring	2
	D640	10-14		11023348	AC wiring harness	1
	D655	10-14		11084827	Blank, connector DTM 06-3S	1
	D660	10-14		11084822	Blank, connector DTM 06-6S	1
	D672	10-14		11151875	Protection	1
	D674	10-14		716860	Screw, M5 x 12	2
	QD25	10-14		140751	Proportional solenoid, 24 volt	2
	QD26	10-14		11001952	O-ring	2
	QD27	10-14		11004700	Coil kit, 24v, Deutsch connector	2
	QD28	10-14		063172	O-ring	2
	QD29	10-14		11004750	Coil nut	2
	QD30	10-14		11027883	Cap	2
	QD100	10-14		11065120	Automotive control kit, 24v, manual override	1



Variable displacement pump

(C3)



generic housing shown

E101 758E

* = included in overhaul seal kit Q210

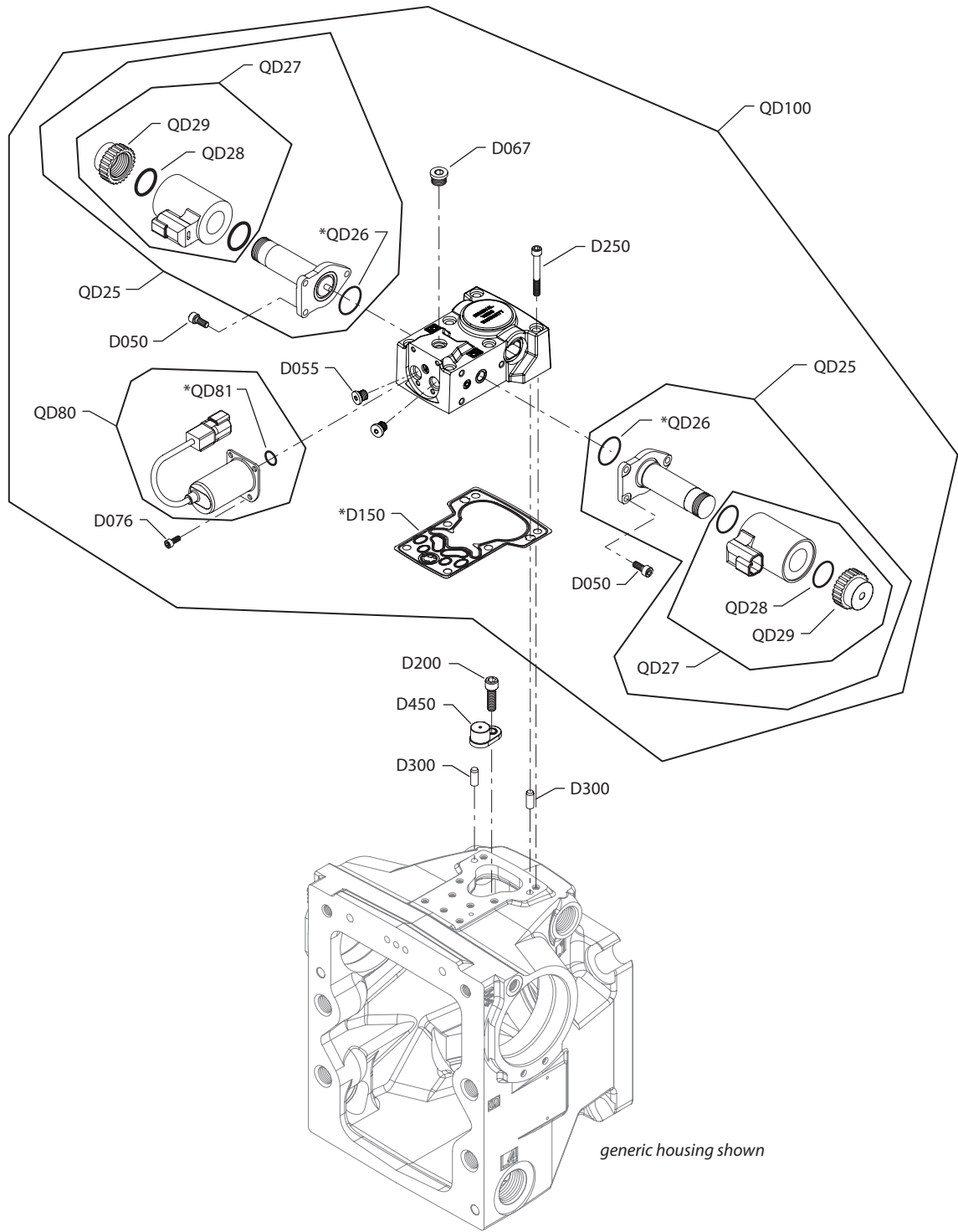

Variable displacement pump
Control

Order Code	Item	Date Begin	Date End	Part Number	Part Name	Qty. per Model/Kit
C3	D050	10-14		716860	Screw, M5 x 12	6
	D055	10-14		11040532	Plug assembly	2
	D067	10-14		140642	Plug assembly	1
	D150	10-14		11173377	Control gasket (SB-2016-033)	1
	D200	10-14		141472	Screw, special	1
	D250	10-14		505038	Screw, M6 x 45	6
	D300	10-14		11036469	Dowel pin	2
	D450	10-14		11003097	Magnet carrier	1
	D610	10-14		11000467	Plug assembly	2
	D611	10-14		11066774	O-ring	2
	D640	10-14		11023348	AC wiring harness	1
	D655	10-14		11084827	Blank, connector DTM 06-3S	1
	D660	10-14		11084822	Blank, connector DTM 06-6S	1
	D672	10-14		11151875	Protection	1
	D674	10-14		716860	Screw, M5 x 12	2
	QD25	10-14		140751	Proportional solenoid, 24 volt	2
	QD26	10-14		11001952	O-ring	2
	QD27	10-14		11004700	Coil kit, 24v, Deutsch connector	2
	QD28	10-14		063172	O-ring	2
	QD29	10-14		11004750	Coil nut	2
	QD30	10-14		11027883	Cap	2
	QD100	10-14		11065121	Automotive control kit, 24v, manual override	1



Variable displacement pump

(C7)



generic housing shown

E101 912E

* = included in overhaul seal kit Q210

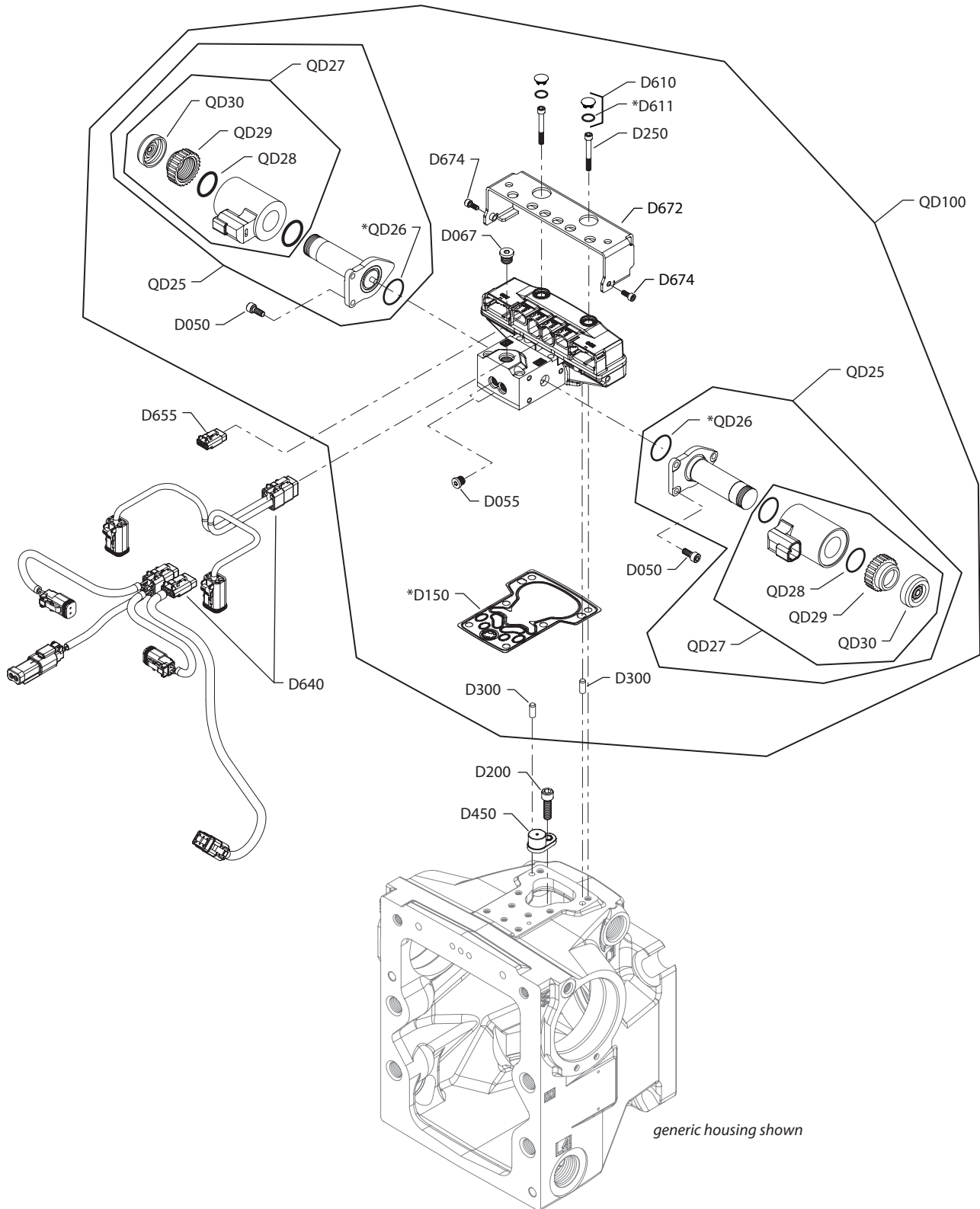

Variable displacement pump
Control

Order Code	Item	Date Begin	Date End	Part Number	Part Name	Qty. per Model/Kit
C7	D050	10-37		716860	Screw	6
	D055	10-37		11040532	Plug assembly	2
	D067	10-37		11040532	Plug assembly	1
	D076	10-37		346957	Screw, M4 x 8	4
	D150	10-37		11173377	Control gasket (SB-2016-033)	1
	D200	10-37		141472	Screw	1
	D250	10-37		505038	Screw	6
	D300	10-37		310979	Dowel pin	2
	D450	10-37		11003097	Magnet carrier	1
	QD25	10-37		11012457	Proportional solenoid, 12V	2
	QD26	10-37		11001952	O-ring	2
	QD27	10-37		11028018	Coil kit, 12V, Deutsch connector	2
	QD28	10-37		063172	O-ring	2
	QD29	10-37		11027046	Coil nut	2
	QD80	10-37		11015978	Solenoid, 12V	1
	QD81	10-37		11059551	O-ring	1
	QD100	10-37		11088423	NFPE kit, 12V, high gain spool, control override	1



Variable displacement pump

(C9 & D1)



E101 913E

* = included in overhaul seal kit Q210

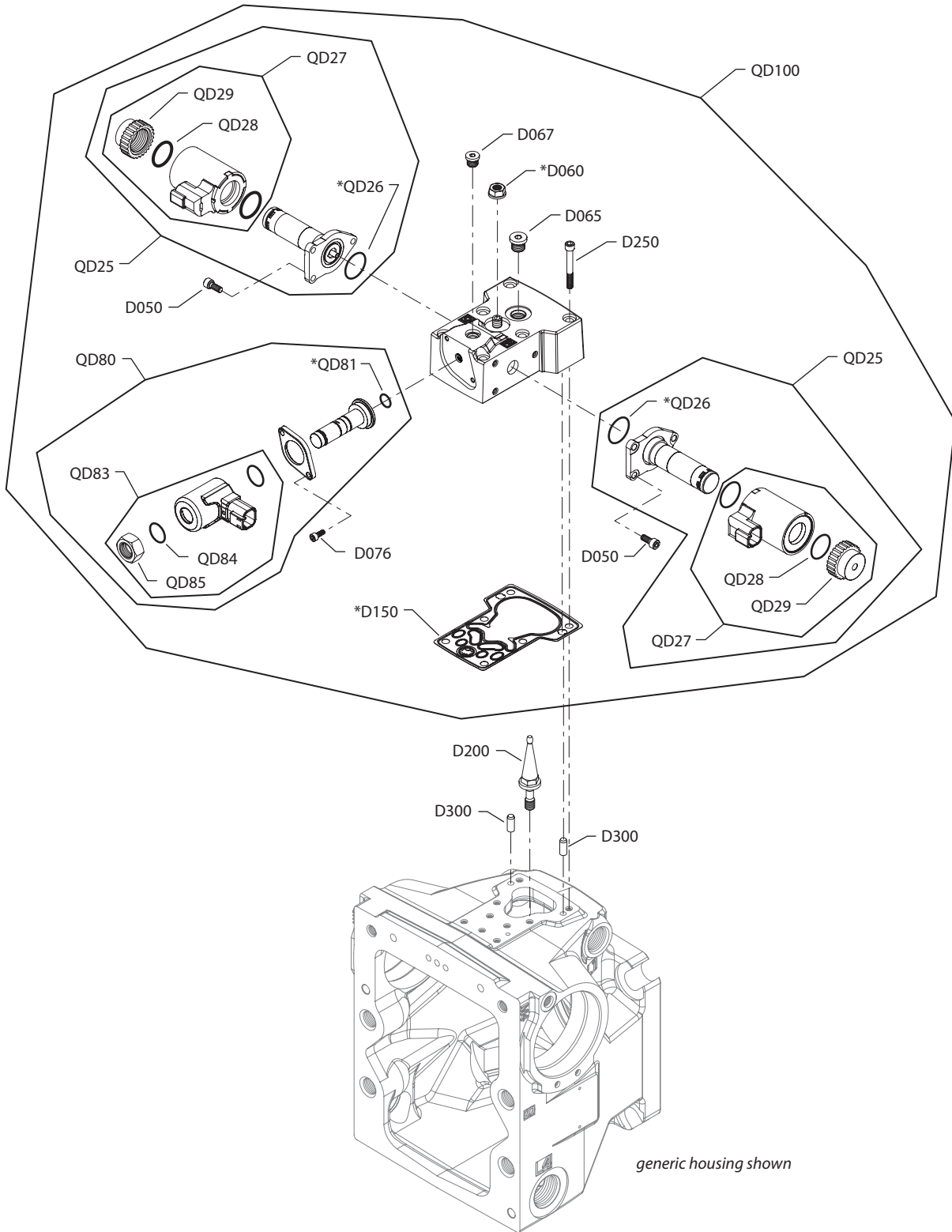

Variable displacement pump
Control

Order Code	Item	Date Begin	Date End	Part Number	Part Name	Qty. per Model/Kit
C9	D050	12-22		716860	Screw, M5 x 12	6
	D055	12-22		11040532	Plug assembly	2
	D067	12-22		140642	Plug assembly	1
	D150	12-22		11173377	Control gasket (SB-2016-033)	1
	D200	12-22		141472	Screw, special	1
	D250	12-22		505038	Screw, M6 x 45	6
	D300	12-22		11036469	Dowel pin	2
	D450	12-22		11003097	Magnet carrier	1
	D610	12-22		11000467	Plug assembly	2
	D611	12-22		11066774	O-ring	2
	D640	12-22		11105876	AC wiring harness	1
	D655	12-22		11084827	Blank, connector DTM 06-3S	1
	D672	12-22		11151875	Protection	1
	D674	12-22		716860	Screw, M5 x 12	2
	QD25	12-22		140751	Proportional solenoid, 24v	2
	QD26	12-22		11001952	O-ring	2
	QD27	12-22		11004700	Coil kit, 24v, Deutsch connector	2
	QD28	12-22		063172	O-ring	2
	QD29	12-22		11004750	Coil nut	2
	QD30	12-22		11027883	Cap	2
QD100	12-22		11065121	Automotive control kit, 24v, manual override	1	
D1	D050	12-22		716860	Screw, M5 x 12	6
	D055	12-22		11040532	Plug assembly	2
	D067	12-22		140642	Plug assembly	1
	D150	12-22		11173377	Control gasket (SB-2016-033)	1
	D200	12-22		141472	Screw, special	1
	D250	12-22		505038	Screw, M6 x 45	6
	D300	12-22		11036469	Dowel pin	2
	D450	12-22		11003097	Magnet carrier	1
	D610	12-22		11000467	Plug assembly	2
	D611	12-22		11066774	O-ring	2
	D640	12-22		11105876	AC wiring harness	1
	D655	12-22		11084827	Blank, connector DTM 06-3S	1
	D672	12-22		11151875	Protection	1
	D674	12-22		716860	Screw, M5 x 12	2
	QD25	12-22		140750	Proportional solenoid, 12v	2
	QD26	12-22		11001952	O-ring	2
	QD27	12-22		11004698	Coil kit, 24v, Deutsch connector	2
	QD28	12-22		063172	O-ring	2
	QD29	12-22		11004749	Coil nut	2
	QD30	12-22		11027883	Cap	2
QD100	12-22		11065119	Automotive control kit, 12v, manual override	1	



Variable displacement pump

(E5 & E6)



E103 356E

* = included in overhaul seal kit Q210

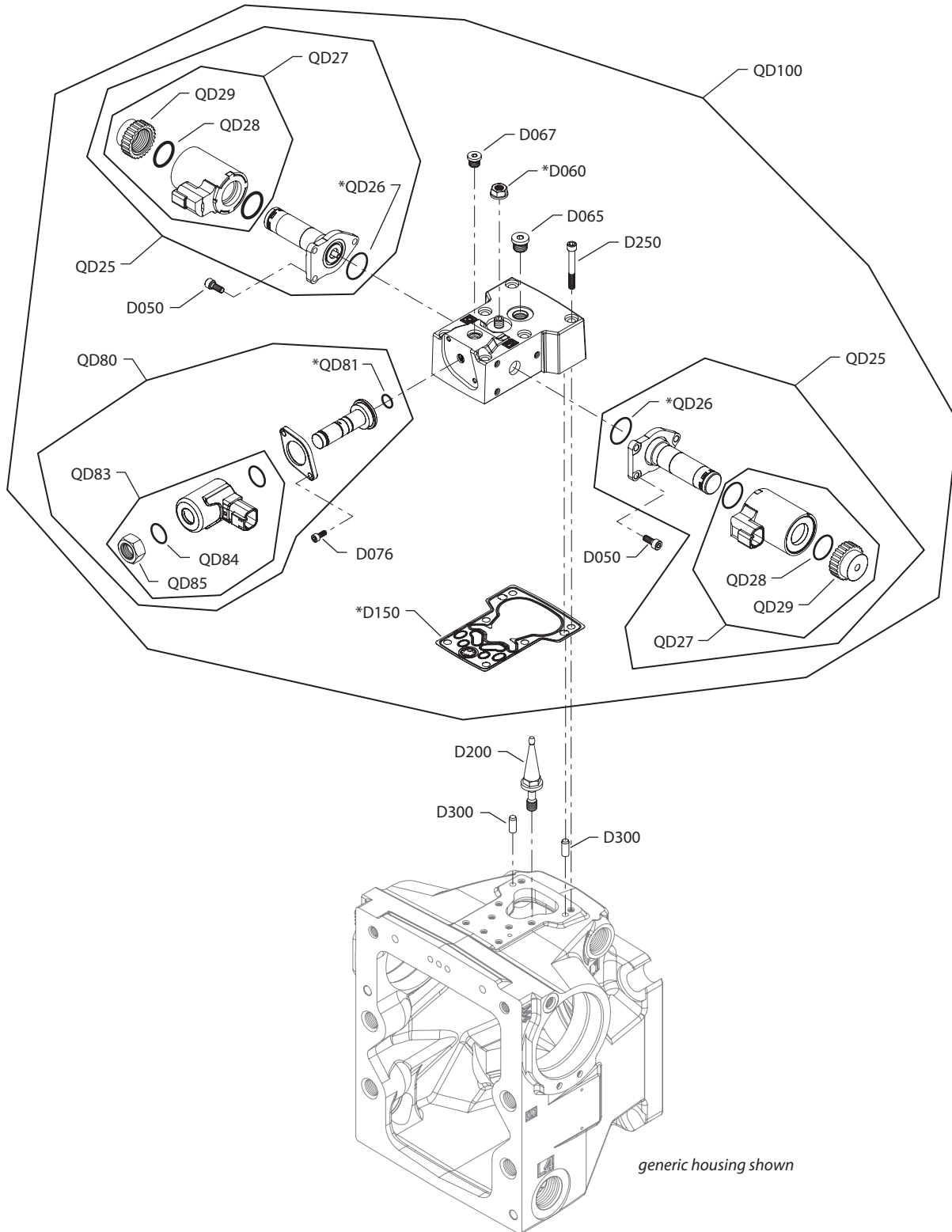

Variable displacement pump
Control

Order Code	Item	Date Begin	Date End	Part Number	Part Name	Qty. per Model/Kit
E5	D050	14-25		716860	Screw M5 x 12	6
	D060	14-25		612291	Seal nut	1
	D065	14-25		140642	Plug assembly	2
	D067	14-25		140642	Plug assembly	1
	D076	14-25		067694	Screw, M4 x 10	2
	D150	14-25		11173377	Control gasket	1
	D200	14-25		11148827	Swashplate feedback link	1
	D250	14-25		505038	Screw	6
	D300	14-25		310979	Dowel pin	2
	QD25	14-25		11012457	Proportional solenoid, 12V	2
	QD26	14-25		11001952	O-ring	2
	QD27	14-25		11028018	Coil kit, 12V, Deutsch connector	2
	QD28	14-25		063172	O-ring	2
	QD29	14-25		11027046	Coil nut	2
	QD80	14-25		11129914	Solenoid, 12V, Deutsch connector	1
	QD81	14-25		11152257	O-ring	1
	QD83	14-25		11147301	Coil kit, 12V, Deutsch connector	1
	QD84	14-25		11140393	O-ring	1
	QD85	14-25		11140394	Nut	1
	QD100	14-25		11147422	EDC kit, 12V, control override	1
E6	D050	14-25		716860	Screw M5 x 12	6
	D060	14-25		612291	Seal nut	1
	D065	14-25		140642	Plug assembly	2
	D067	14-25		140642	Plug assembly	1
	D076	14-25		067694	Screw, M4 x 10	2
	D150	14-25		11173377	Control gasket	1
	D200	14-25		11148827	Swashplate feedback link	1
	D250	14-25		505038	Screw	6
	D300	14-25		310979	Dowel pin	2
	QD25	14-25		11012459	Proportional solenoid, 24V	2
	QD26	14-25		11001952	O-ring	2
	QD27	14-25		11028019	Coil kit, 24V, Deutsch connector	2
	QD28	14-25		063172	O-ring	2
	QD29	14-25		11028024	Coil nut	2
	QD80	14-25		11129915	Solenoid, 24V, Deutsch connector	1
	QD81	14-25		11152257	O-ring	1
	QD83	14-25		11147332	Coil kit, 24V, Deutsch connector	1
	QD84	14-25		11140393	O-ring	1
	QD85	14-25		11140394	Nut	1
	QD100	14-25		11147423	EDC kit, 24V, control override	1



Variable displacement pump

(E7)



E103 356E

* = included in overhaul seal kit Q210

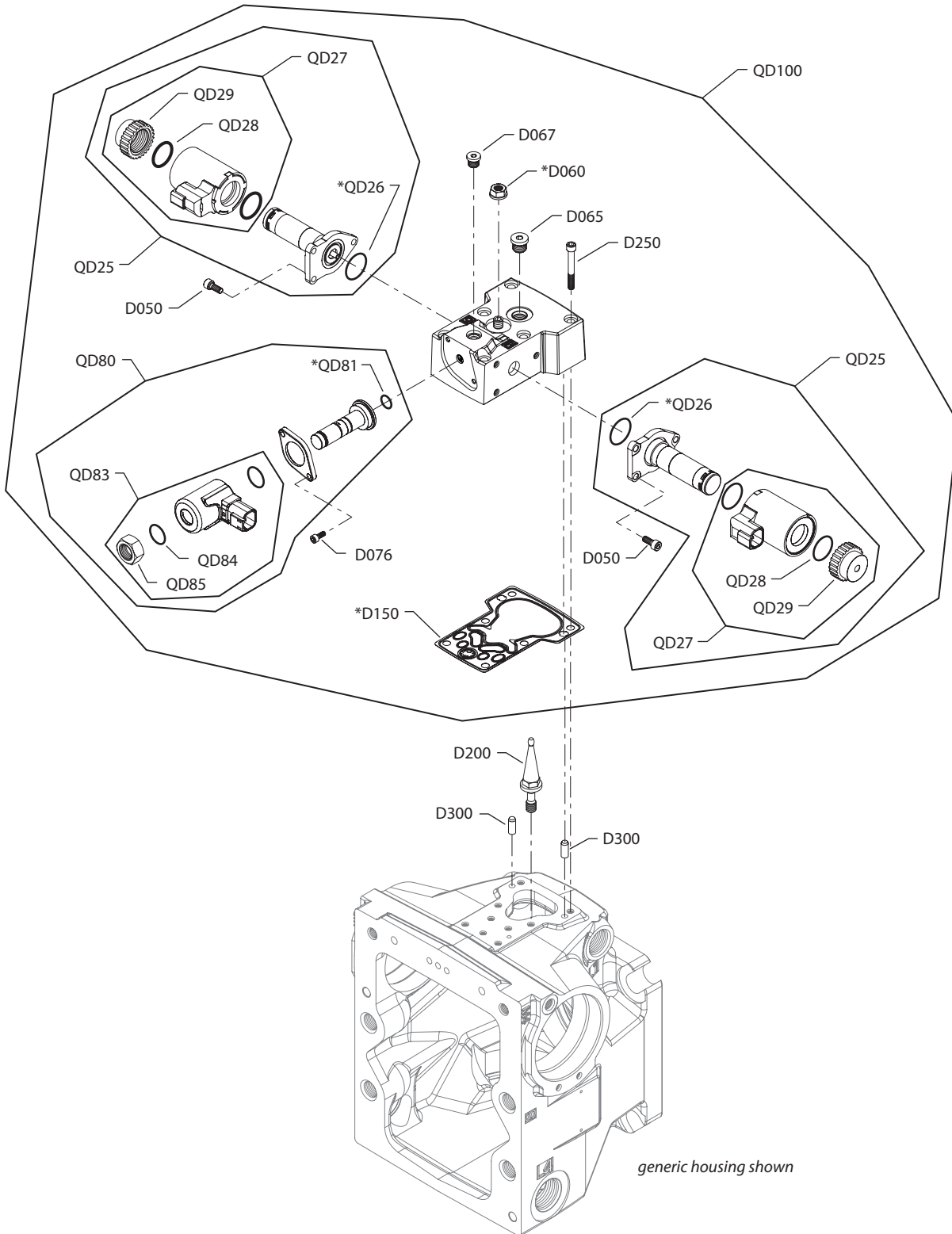

Variable displacement pump
Control

Order Code	Item	Date Begin	Date End	Part Number	Part Name	Qty. per Model/Kit
E7	D050	14-25		716860	Screw, M5 x 12	6
	D060	14-25		612291	Seal nut	1
	D065	14-25		140642	Plug assembly	2
	D067	14-25		140642	Plug assembly	1
	D076	14-25		067694	Screw, M4 x 10	2
	D150	14-25		11173377	Control gasket (SB-2016-033)	1
	D200	14-25		11148827	Swashplate feedback link	1
	D250	14-25		505038	Screw	6
	D300	14-25		310979	Dowel pin	2
	QD25	14-25		11012457	Proportional solenoid, 12V	2
	QD26	14-25		11001952	O-ring	2
	QD27	14-25		11028018	Coil kit, 12V, Deutsch connector	2
	QD28	14-25		063172	O-ring	2
	QD29	14-25		11027046	Coil nut	2
	QD80	14-25		11129914	Solenoid, 12V, Deutsch connector	1
	QD81	14-25		11152257	O-ring	1
	QD83	14-25		11147301	Coil kit, 12V, Deutsch connector	1
	QD84	14-25		11140393	O-ring	1
	QD85	14-25		11140394	Nut	1
	QD100	14-25		11147471	EDC kit, 12V, control override	1
E7	D050	14-25		716860	Screw, M5 x 12	6
(metric)	D060	14-25		612291	Seal nut	1
	D065	14-25		5000572	Plug assembly, M12	2
	D067	14-25		5000572	Plug assembly, M12	1
	D076	14-25		067694	Screw, M4 x 10	2
	D150	14-25		11173377	Control gasket (SB-2016-033)	1
	D200	14-25		11148827	Swashplate feedback link	1
	D250	14-25		505038	Screw	6
	D300	14-25		310979	Dowel pin	2
	QD25	14-25		11012457	Proportional solenoid, 12V	2
	QD26	14-25		11001952	O-ring	2
	QD27	14-25		11028018	Coil kit, 12V, Deutsch connector	2
	QD28	14-25		063172	O-ring	2
	QD29	14-25		11027046	Coil nut	2
	QD80	14-25		11129914	Solenoid, 12V, Deutsch connector	1
	QD81	14-25		11152257	O-ring	1
	QD83	14-25		11147301	Coil kit, 12V, Deutsch connector	1
	QD84	14-25		11140393	O-ring	1
	QD85	14-25		11140394	Nut	1
	QD100	14-25		11164610	EDC kit, metric, 12V, control override	1



Variable displacement pump

(E8)



E103 356E

* = included in overhaul seal kit Q210



Variable displacement pump

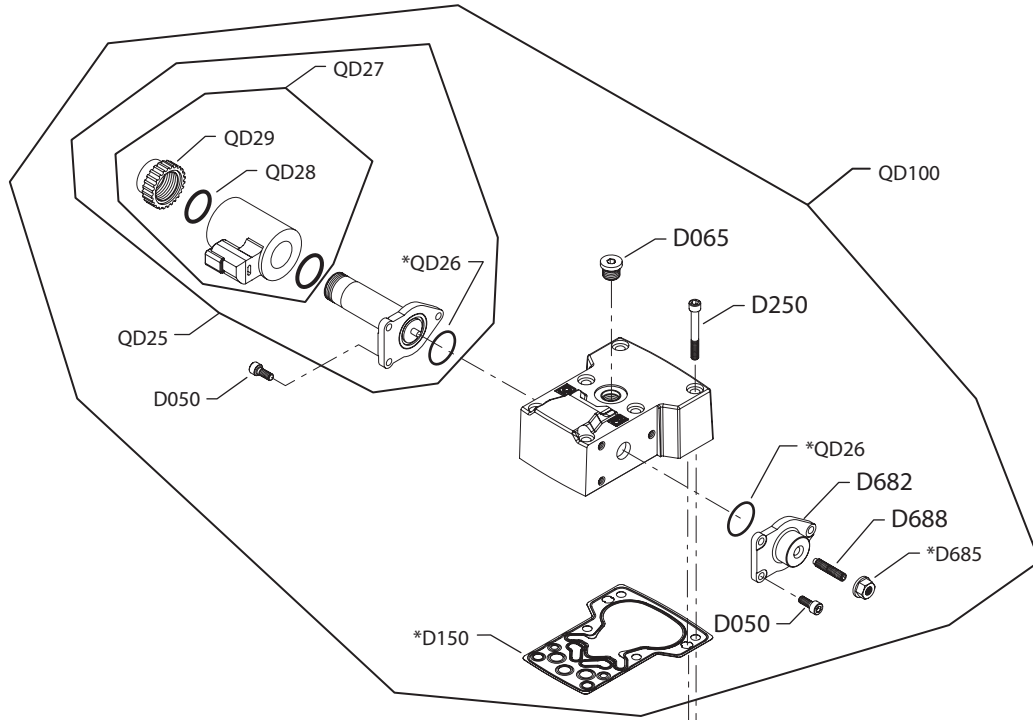
Control

Order Code	Item	Date Begin	Date End	Part Number	Part Name	Qty. per Model/Kit
E8	D050	14-25		716860	Screw, M5 x 12	6
	D060	14-25		612291	Seal nut	1
	D065	14-25		140642	Plug assembly	2
	D067	14-25		140642	Plug assembly	1
	D076	14-25		067694	Screw, M4 x 10	2
	D150	14-25		11173377	Control gasket (SB-2016-033)	1
	D200	14-25		11148827	Swashplate feedback link	1
	D250	14-25		505038	Screw	6
	D300	14-25		310979	Dowel pin	2
	QD25	14-25		11012459	Proportional solenoid, 24V	2
	QD26	14-25		11001952	O-ring	2
	QD27	14-25		11028019	Coil kit, 24V, Deutsch connector	2
	QD28	14-25		063172	O-ring	2
	QD29	14-25		11028024	Coil nut	2
	QD80	14-25		11129915	Solenoid, 24V, Deutsch connector	1
	QD81	14-25		11152257	O-ring	1
	QD83	14-25		11147332	Coil kit, 24V, Deutsch connector	1
	QD84	14-25		11140393	O-ring	1
	QD85	14-25		11140394	Nut	1
	QD100	14-25		11147472	EDC kit, 24V, control override	1

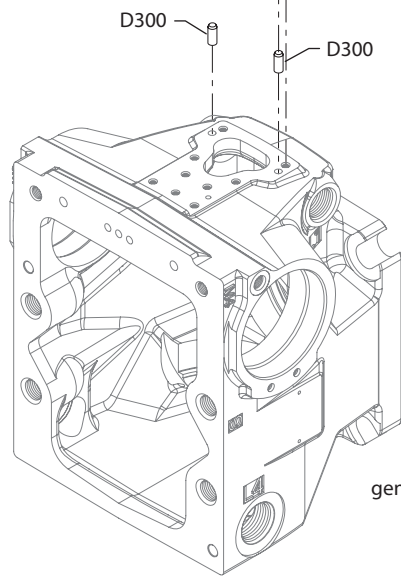


Variable displacement pump

(F1 & F2)



Warning
 This control is for Fan Drive systems only. Use in other systems could result in unintended movement of machine or its elements. Loss of the input signal to this control will cause the pump to produce maximum flow. Contact Danfoss or an authorized distributor with questions regarding the use of this product.



generic housing shown

E101 902E

* = included in overhaul seal kit Q210

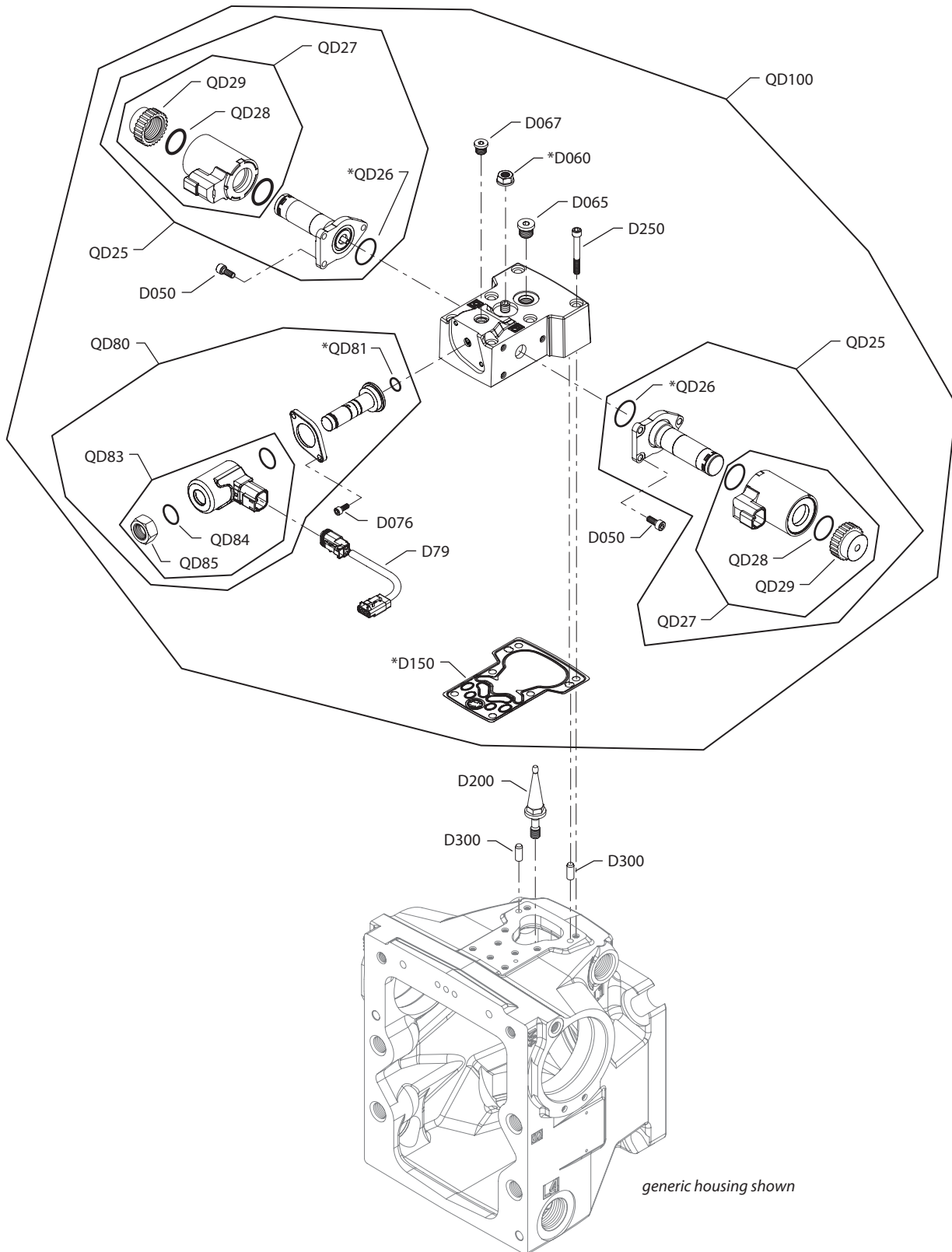

Variable displacement pump
Control

Order Code	Item	Date Begin	Date End	Part Number	Part Name	Qty. per Model/Kit
F1	D050	12-33		716860	Screw, M5 x 12	6
	D065	12-33		140642	Plug assembly	1
	D150	12-33		11173377	Control gasket (SB-2016-033)	1
	D250	12-33		505038	Screw, M6 x 45	6
	D300	12-33		310979	Dowel pin	2
	D682	12-33		11079441	Flange	1
	D685	12-33		612291 (9003508-0008)	Seal nut, M8	1
	D688	12-33		11079453	Adjusting screw	1
	QD25	12-33		11012457	Proportional solenoid, 12v	1
	QD26	12-33		11001952	O-ring	2
	QD27	12-33		11028018	Coil kit, 12v, Deutsch connector	1
	QD28	12-33		063172	O-ring	1
	QD29	12-33		11027046	Coil nut	1
	QD100	12-33		11081306	FDC kit, 12v, Deutsch connector	1
	F2	D050	12-33		716860	Screw, M5 x 12
D065		12-33		140642	Plug assembly	1
D150		12-33		11173377	Control gasket (SB-2016-033), 6-screw	1
D250		12-33		505038	Screw, M6 x 45	6
D300		12-33		310979	Dowel pin	2
D682		12-33		11079441	Flange	1
D685		12-33		612291 (9003508-0008)	Seal nut, M8	1
D688		12-33		11079453	Adjusting screw	1
QD25		12-33		11012459	Proportional solenoid, 24v	1
QD26		12-33		11001952	O-ring	2
QD27		12-33		11028019	Coil kit, 24v, Deutsch connector	1
QD28		12-33		063172	O-ring	1
QD29		12-33		11028024	Coil nut	1
QD100		12-33		11081307	FDC kit, 24v, Deutsch connector	1



Variable displacement pump

(G7 & G9)



E103 378E

* = included in overhaul seal kit Q210


Variable displacement pump
Control

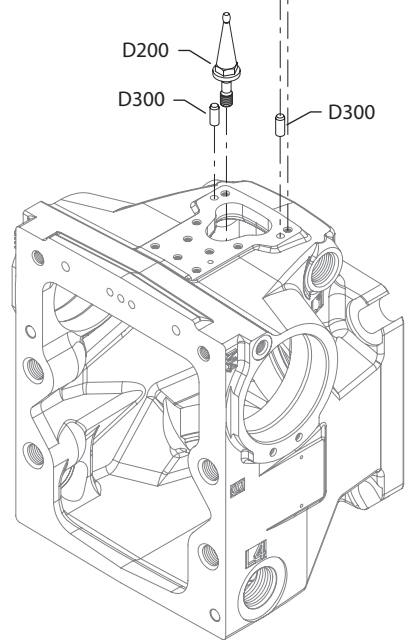
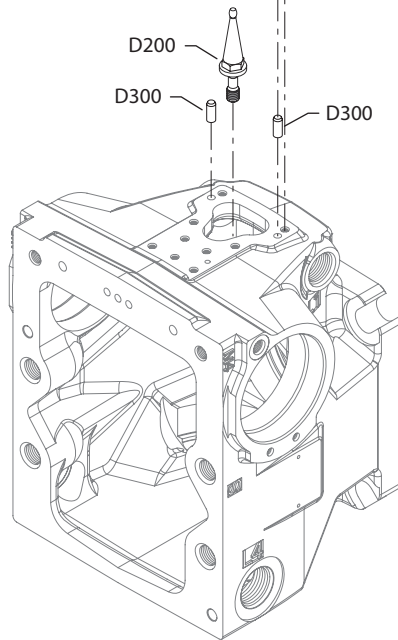
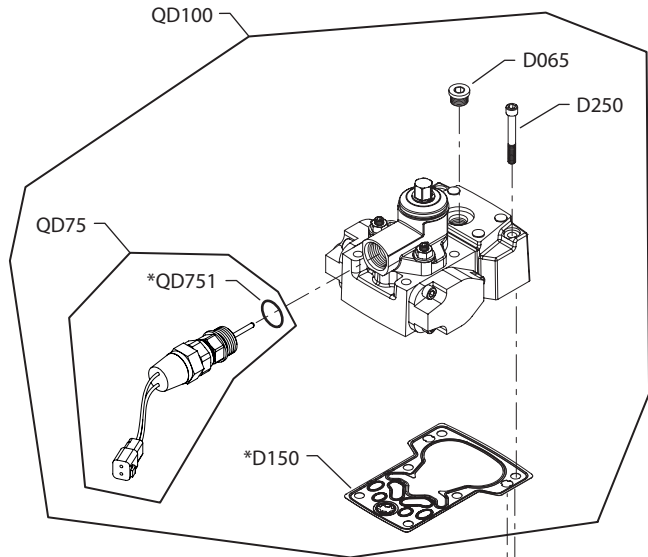
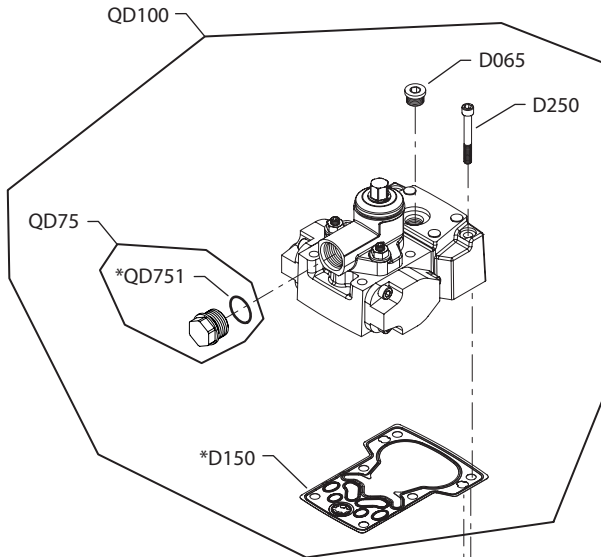
Order Code	Item	Date Begin	Date End	Part Number	Part Name	Qty. per Model/Kit
G7	D79	14-31		11153287	Cable adapter	1
	D050	14-31		716860	Screw, M5 x 12	6
	D060	14-31		612291 (9003508-0008)	Seal nut, M8	1
	D065	14-31		140642	Plug assembly	1
	D067	14-31		140642	Plug assembly	1
	D076	14-31		067694	Screw, M4 x 10	2
	D150	14-31		11173377	Control gasket (SB-2016-033)	1
	D200	14-31		11148827	Swashplate feedback link	1
	D250	14-31		505038	Screw, M6 x 45	6
	D300	14-31		310979	Dowel pin	2
	QD25	14-31		11012457	Proportional solenoid, 12v	2
	QD26	14-31		11001952	O-ring	2
	QD27	14-31		11028018	Coil kit, 12v, Deutsch connector	2
	QD28	14-31		063172	O-ring	2
	QD29	14-31		11027046	Coil nut	2
	QD80	14-31		11129914	Solenoid vale, on/off, 12v	1
	QD81	14-31		11152257	O-ring	1
	QD83	14-31		11147301	Coil kit, 12v	1
	QD84	14-31		11140393	O-ring	1
	QD85	14-31		11140394	Coil nut	1
	QD100	14-31		11156149	EDC kit, 12v, CCO	1
G9	D79	14-37		11150437	Cable adapter	1
	D050	14-37		716860	Screw, M5 x 12	6
	D060	14-37		612291 (9003508-0008)	Seal nut, M8	1
	D065	14-37		140642	Plug assembly	1
	D067	14-37		140642	Plug assembly	1
	D076	14-37		067694	Screw, M4 x 10	2
	D150	14-37		11173377	Control gasket (SB-2016-033)	1
	D200	14-37		11148827	Swashplate feedback link	1
	D250	14-37		505038	Screw, M6 x 45	6
	D300	14-37		310979	Dowel pin	2
	QD25	14-37		11012457	Proportional solenoid, 12v	2
	QD26	14-37		11001952	O-ring	2
	QD27	14-37		11028018	Coil kit, 12v, Deutsch connector	2
	QD28	14-37		063172	O-ring	2
	QD29	14-37		11027046	Coil nut	2
	QD80	14-37		11129914	Solenoid vale, on/off, 12v	1
	QD81	14-37		11152257	O-ring	1
	QD83	14-37		11147301	Coil kit, 12v	1
	QD84	14-37		11140393	O-ring	1
	QD85	14-37		11140394	Coil nut	1
	QD100	14-37		11147471	EDC kit, 12v, CCO	1



Variable displacement pump

(M1)

(M2)



generic housing shown

E103 357E

* = included in overhaul seal kit Q210

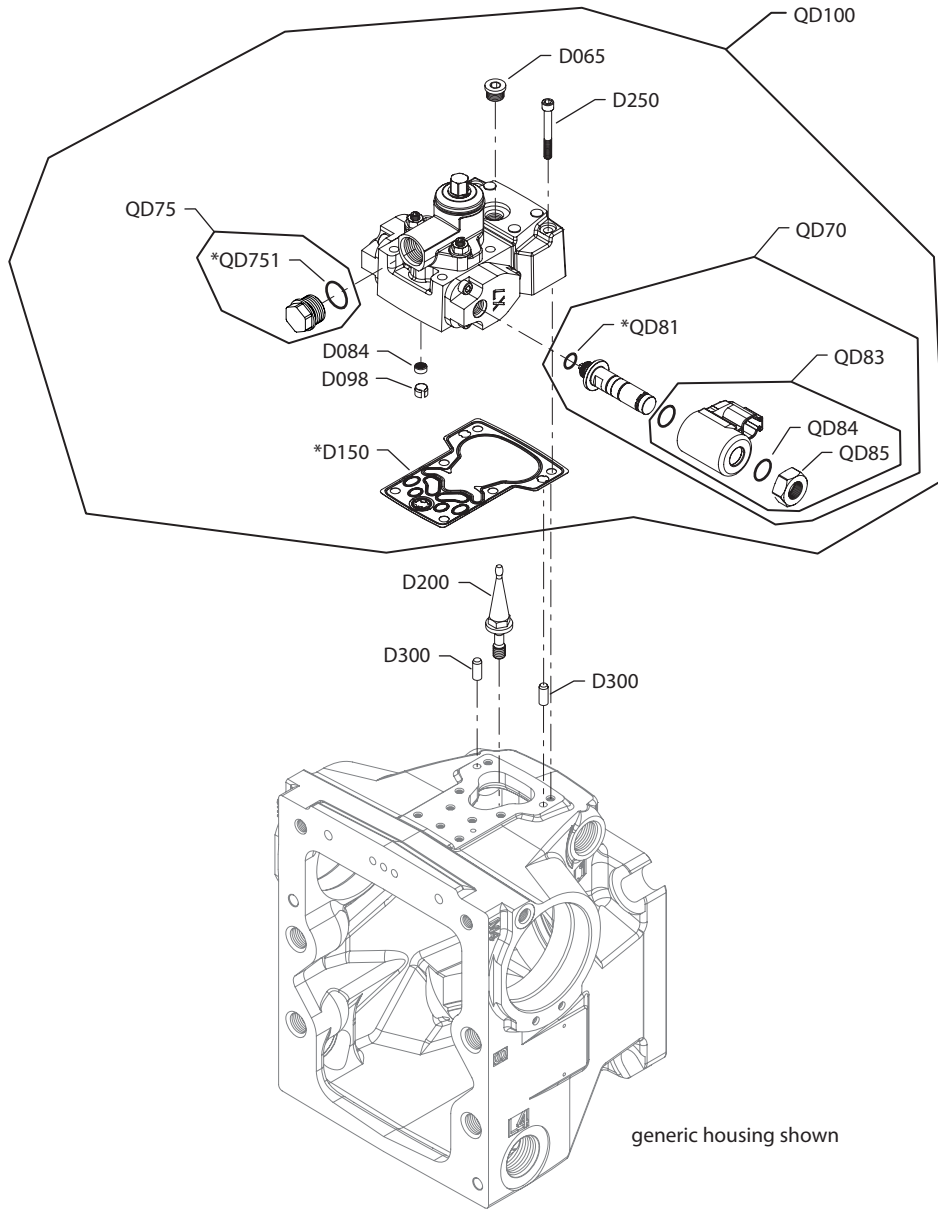

Variable displacement pump
Control

Order Code	Item	Date Begin	Date End	Part Number	Part Name	Qty. per Model/Kit
M1	D065	14-15		140642	Plug assembly	1
	D150	14-15		11173377	Control gasket (SB-2016-033)	1
	D200	14-15		11148827	Swashplate feedback link	1
	D250	14-15		505038	Screw, M6 x 45	6
	D300	14-15		310979	Dowel pin	2
	QD75	14-15		11119332	Spring seat assembly	1
	QD100	14-15		11141225	MDC kit	1
	QD751	14-15		001131 (9004201-5000)	O-ring	1
	M2	D065	14-15		140642	Plug assembly
D150		14-15		11173377	Control gasket (SB-2016-033)	1
D200		14-15		11148827	Swashplate feedback link	1
D250		14-15		505038	Screw, M6 x 45	6
D300		14-15		310979	Dowel pin	2
QD75		14-15		11126847	Spring seat/neutral start switch assembly	1
QD100		14-15		11141236	MDC kit	1
QD751		14-15		001131 (9004201-5000)	O-ring	1



Variable displacement pump

(M3 & M4)



E103 358E

* = included in overhaul seal kit Q210

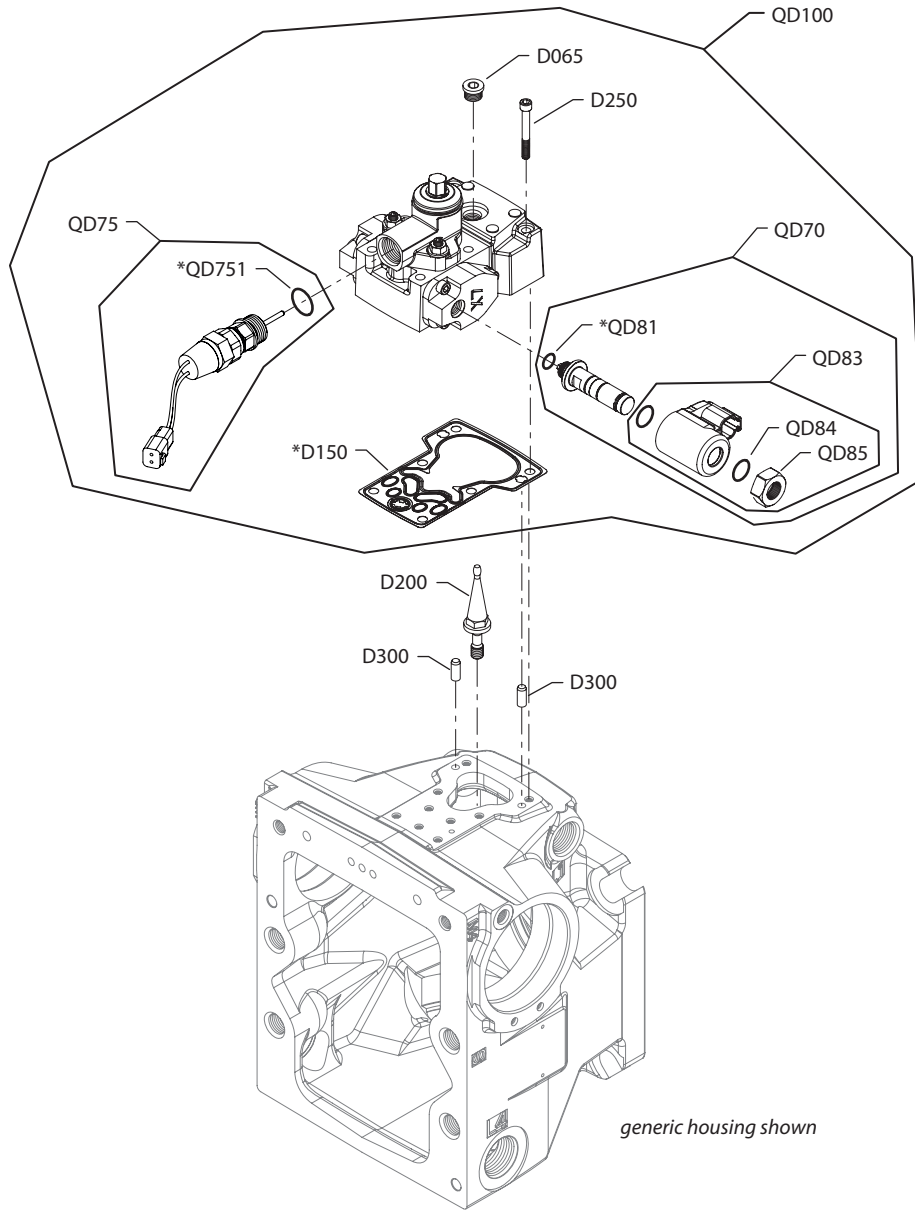

Variable displacement pump
Control

Order Code	Item	Date Begin	Date End	Part Number	Part Name	Qty. per Model/Kit
M3	D065	14-15		140642	Plug assembly	1
	D150	14-15		11173377	Control gasket (SB-2016-033)	1
	D200	14-15		11148827	Swashplate feedback link	1
	D250	14-15		505038	Screw, M6 x 45	6
	D300	14-15		310979	Dowel pin	2
	QD70	14-15		11129916	Solenoid valve, 12v	1
	QD75	14-15		11119332	Spring seat assembly	1
	QD81	14-15		11152257	O-ring	1
	QD83	14-15		11136347	Coil kit, 12v	1
	QD84	14-15		11140393	O-ring	1
	QD85	14-15		11140394	Coil nut	1
	QD100	14-15		11141237	MDC kit, 12v	1
	QD751	14-15		001131 (9004201-5000)	O-ring	1
	M4	D065	14-15		140642	Plug assembly
D150		14-15		11173377	Control gasket (SB-2016-033)	1
D200		14-15		11148827	Swashplate feedback link	1
D250		14-15		505038	Screw, M6 x 45	6
D300		14-15		310979	Dowel pin	2
QD70		14-15		11129917	Solenoid valve, 24v	1
QD75		14-15		11119332	Spring seat assembly	1
QD81		14-15		11152257	O-ring	1
QD83		14-15		11136348	Coil kit, 24v	1
QD84		14-15		11140393	O-ring	1
QD85		14-15		11140394	Coil nut	1
QD100		14-15		11141238	MDC kit, 24v	1
QD751		14-15		001131 (9004201-5000)	O-ring	1



Variable displacement pump

(M5 & M6)



E103 359E

* = included in overhaul seal kit Q210

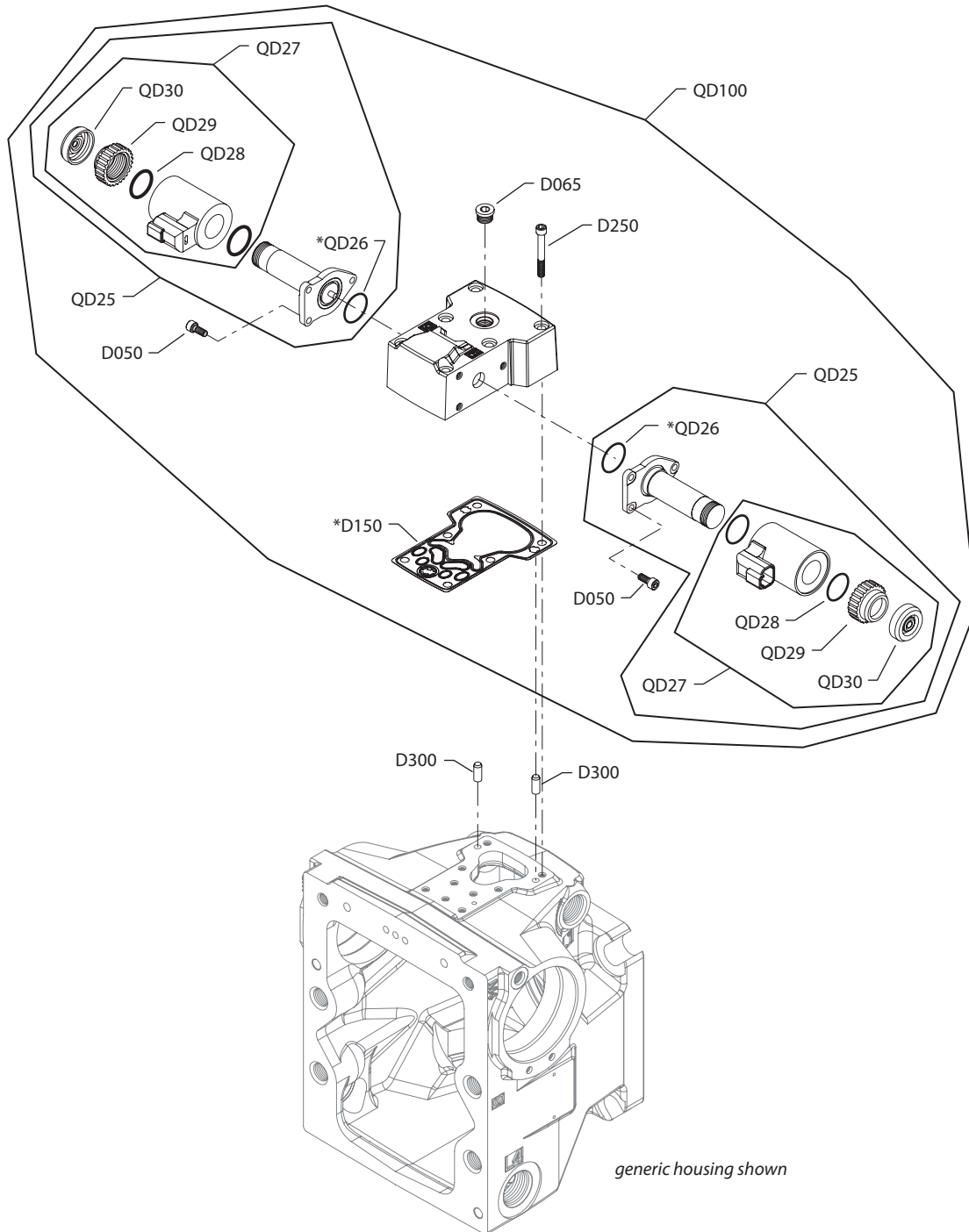

Variable displacement pump
Control

Order Code	Item	Date Begin	Date End	Part Number	Part Name	Qty. per Model/Kit
M5	D065	14-15		140642	Plug assembly	1
	D150	14-15		11173377	Control gasket (SB-2016-033)	1
	D200	14-15		11148827	Swashplate feedback link	1
	D250	14-15		505038	Screw, M6 x 45	6
	D300	14-15		310979	Dowel pin	2
	QD70	14-15		11129916	Solenoid valve, 12v	1
	QD75	14-15		11126847	Spring seat/neutral start switch assembly	1
	QD81	14-15		11152257	O-ring	1
	QD83	14-15		11136347	Coil kit, 12v	1
	QD84	14-15		11140393	O-ring	1
	QD85	14-15		11140394	Coil nut	1
	QD100	14-15		11141239	MDC kit, 12v	1
	QD751	14-15		001131 (9004201-5000)	O-ring	1
	M6	D065	14-15		140642	Plug assembly
D150		14-15		11173377	Control gasket (SB-2016-033)	1
D200		14-15		11148827	Swashplate feedback link	1
D250		14-15		505038	Screw, M6 x 45	6
D300		14-15		310979	Dowel pin	2
QD70		14-15		11129917	Solenoid valve, 24v	1
QD75		14-15		11126847	Spring seat/neutral start switch assembly	1
QD81		14-15		11152257	O-ring	1
QD83		14-15		11136348	Coil kit, 24v	1
QD84		14-15		11140393	O-ring	1
QD85		14-15		11140394	Coil nut	1
QD100		14-15		11141240	MDC kit, 24v	1
QD751		14-15		001131 (9004201-5000)	O-ring	1



Variable displacement pump

(N1 & N2)



E101 703E

* = included in overhaul seal kit Q210

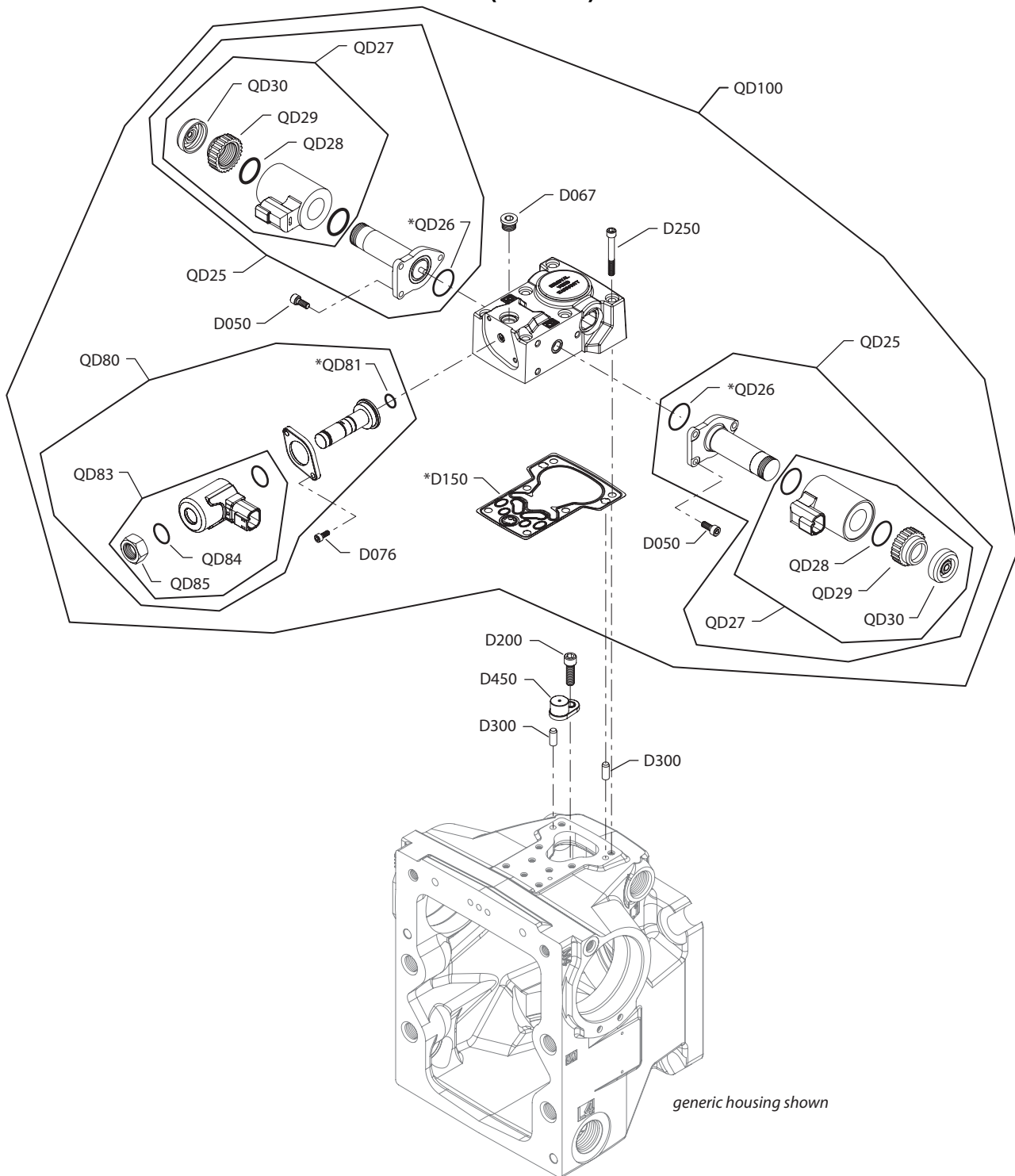

Variable displacement pump
Control

Order Code	Item	Date Begin	Date End	Part Number	Part Name	Qty. per Model/Kit
N1	D050	16-30		716860	Screw, M5 x 12	6
	D065	16-30		140642	Plug assembly	1
	D150	16-30		11173377	Control gasket (SB-2016-033)	1
	D250	16-30		505038	Screw, M6 x 45	6
	D300	16-30		310979	Dowel pin	2
	QD25	16-30		140750	Proportional solenoid, 12v, Deutsch connector	2
	QD26	16-30		11001952	O-ring	2
	QD27	16-30		11004698	Coil kit, 12v, Deutsch connector	2
	QD28	16-30		063172	O-ring	2
	QD29	16-30		11004749	Coil nut	2
	QD30	16-30		11027883	Cap	2
	QD100	16-30		11147921	NFPE control kit, 12v, manual override, Deutsch conn.	1
	N2	D050	16-30		716860	Screw, M5 x 12
D065		16-30		140642	Plug assembly	1
D150		16-30		11173377	Control gasket (SB-2016-033)	1
D250		16-30		505038	Screw, M6 x 45	6
D300		16-30		310979	Dowel pin	2
QD25		16-30		140751	Proportional solenoid, 24v, Deutsch connector	2
QD26		16-30		11001952	O-ring	2
QD27		16-30		11004700	Coil kit, 24v, Deutsch connector	2
QD28		16-30		063172	O-ring	2
QD29		16-30		11004750	Coil nut	2
QD30		16-30		11027883	Cap	2
QD100		16-30		11147925	NFPE control kit, 24v, manual override, Deutsch conn.	1



Variable displacement pump

(N3 & N4)



E103 608E

* = included in overhaul seal kit Q210

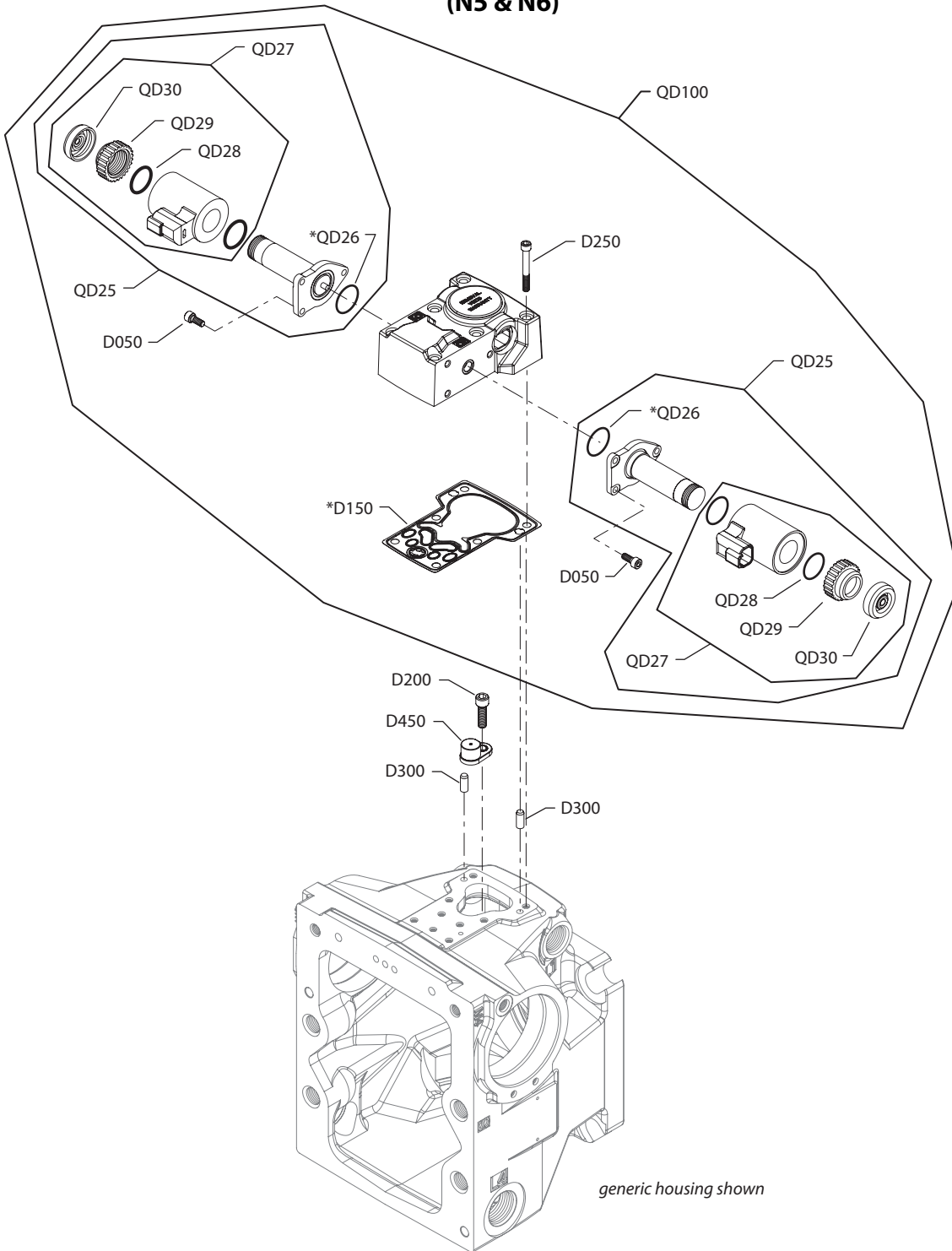

Variable displacement pump
Control

Order Code	Item	Date Begin	Date End	Part Number	Part Name	Qty. per Model/Kit
N3	D050	16-30		716860	Screw, M5 x 12	6
	D067	16-30		140642	Plug assembly	1
	D076	16-30		067694	Screw, M4 x 10	2
	D150	16-30		11173377	Control gasket (SB-2016-033)	1
	D200	16-30		141472	Screw, special	1
	D250	16-30		505038	Screw, M6 x 45	6
	D300	16-30		310979	Dowel pin	2
	D450	16-30		11003097	Magnetic carrier	1
	QD25	16-30		140750	Proportional solenoid, 12v	2
	QD26	16-30		11001952	O-ring	2
	QD27	16-30		11004698	Coil kit, 12v, Deutsch connector	2
	QD28	16-30		063172	O-ring	2
	QD29	16-30		11004749	Coil nut	2
	QD30	16-30		11027883	Cap	2
	QD80	16-30		11129914	Solenoid, 12V, Deutsch connector	1
	QD81	16-30		11152257	O-ring	1
	QD83	16-30		11147301	Coil kit, 12V, Deutsch connector	1
	QD84	16-30		11140393	O-ring	1
	QD85	16-30		11140394	Nut	1
	QD100	16-30		11147920	NFPE control kit, 12v, CCO	1
N4	D050	16-30		716860	Screw, M5 x 12	6
	D067	16-30		140642	Plug assembly	1
	D076	16-30		067694	Screw, M4 x 10	2
	D150	16-30		11173377	Control gasket (SB-2016-033)	1
	D200	16-30		141472	Screw, special	1
	D250	16-30		505038	Screw, M6 x 45	6
	D300	16-30		310979	Dowel pin	2
	D450	16-30		11003097	Magnetic carrier	1
	QD25	16-30		140751	Proportional solenoid, 24v	2
	QD26	16-30		11001952	O-ring	2
	QD27	16-30		11004700	Coil kit, 24v, Deutsch connector	2
	QD28	16-30		063172	O-ring	2
	QD29	16-30		11004750	Coil nut	2
	QD30	16-30		11027883	Cap	2
	QD80	16-30		11129915	Solenoid, 24V, Deutsch connector	1
	QD81	16-30		11152257	O-ring	1
	QD83	16-30		11147332	Coil kit, 24V, Deutsch connector	1
	QD84	16-30		11140393	O-ring	1
	QD85	16-30		11140394	Nut	1
	QD100	16-30		11147924	NFPE control kit, 24v, CCO	1



Variable displacement pump

(N5 & N6)



E103 609E

* = included in overhaul seal kit Q210

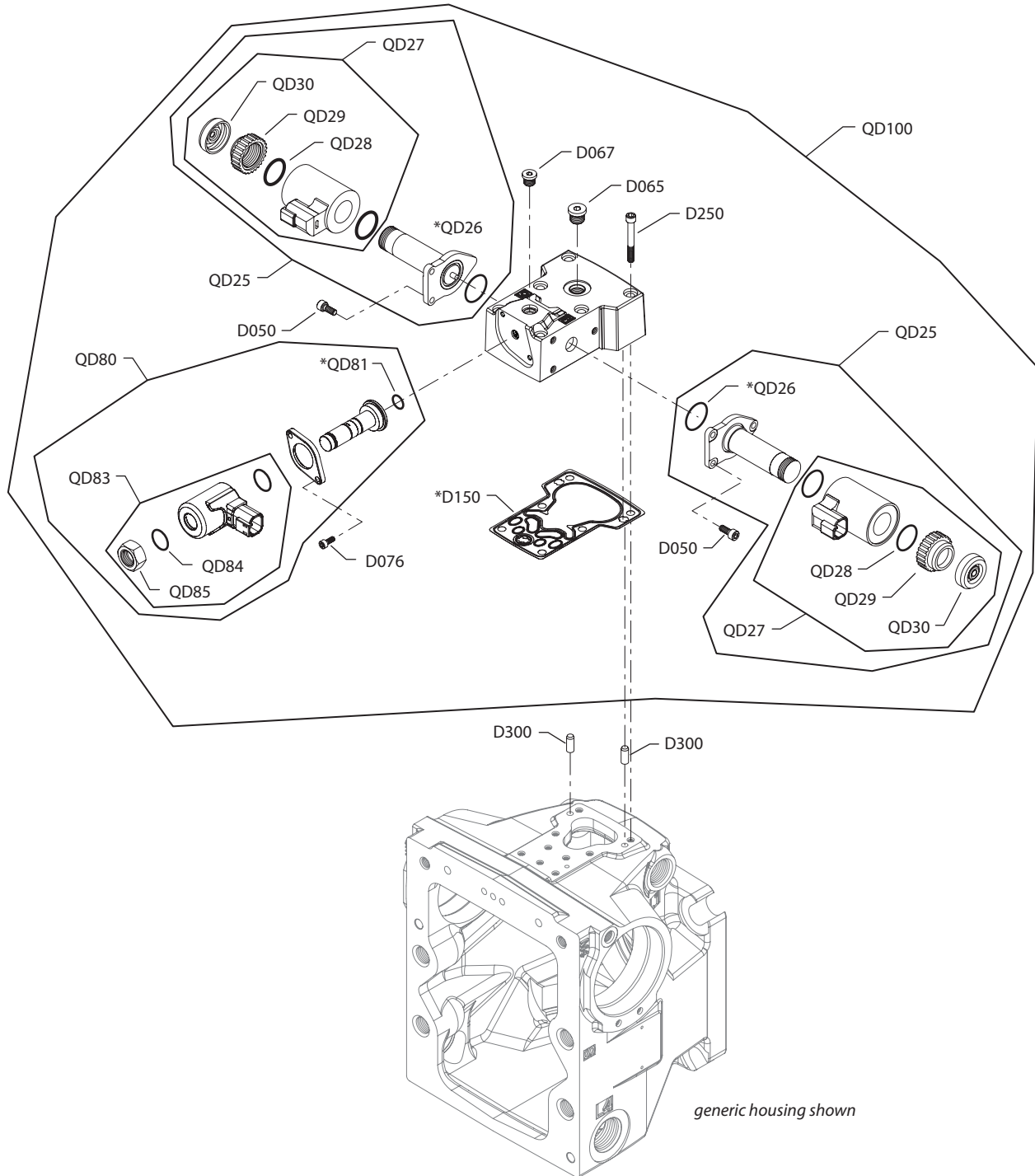

Variable displacement pump
Control

Order Code	Item	Date Begin	Date End	Part Number	Part Name	Qty. per Model/Kit
N5	D050	16-30		716860	Screw, M5 x 12	6
	D150	16-30		11173377	Control gasket (SB-2016-033)	1
	D200	16-30		141472	Screw, special	1
	D250	16-30		505038	Screw, M6 x 45	6
	D300	16-30		310979	Dowel pin	2
	D450	16-30		11003097	Magnetic carrier	1
	QD25	16-30		140750	Proportional solenoid, 12v	2
	QD26	16-30		11001952	O-ring	2
	QD27	16-30		11004698	Coil kit, 12v, Deutsch connector	2
	QD28	16-30		063172	O-ring	2
	QD29	16-30		11004749	Coil nut	2
	QD30	16-30		11027883	Cap	2
	QD100	16-30		11147918	NFPE control kit, 12v, manual override	1
	N6	D050	16-30		716860	Screw, M5 x 12
D150		16-30		11173377	Control gasket (SB-2016-033)	1
D200		16-30		141472	Screw, special	1
D250		16-30		505038	Screw, M6 x 45	6
D300		16-30		310979	Dowel pin	2
D450		16-30		11003097	Magnetic carrier	1
QD25		16-30		140751	Proportional solenoid, 24v	2
QD26		16-30		11001952	O-ring	2
QD27		16-30		11004700	Coil kit, 24v, Deutsch connector	2
QD28		16-30		063172	O-ring	2
QD29		16-30		11004750	Coil nut	2
QD30		16-30		11027883	Cap	2
QD100		16-30		11147922	NFPE control kit, 24v, manual override	1



Variable displacement pump

(N7 & N8)



E103 610E

* = included in overhaul seal kit Q210


Variable displacement pump
Control

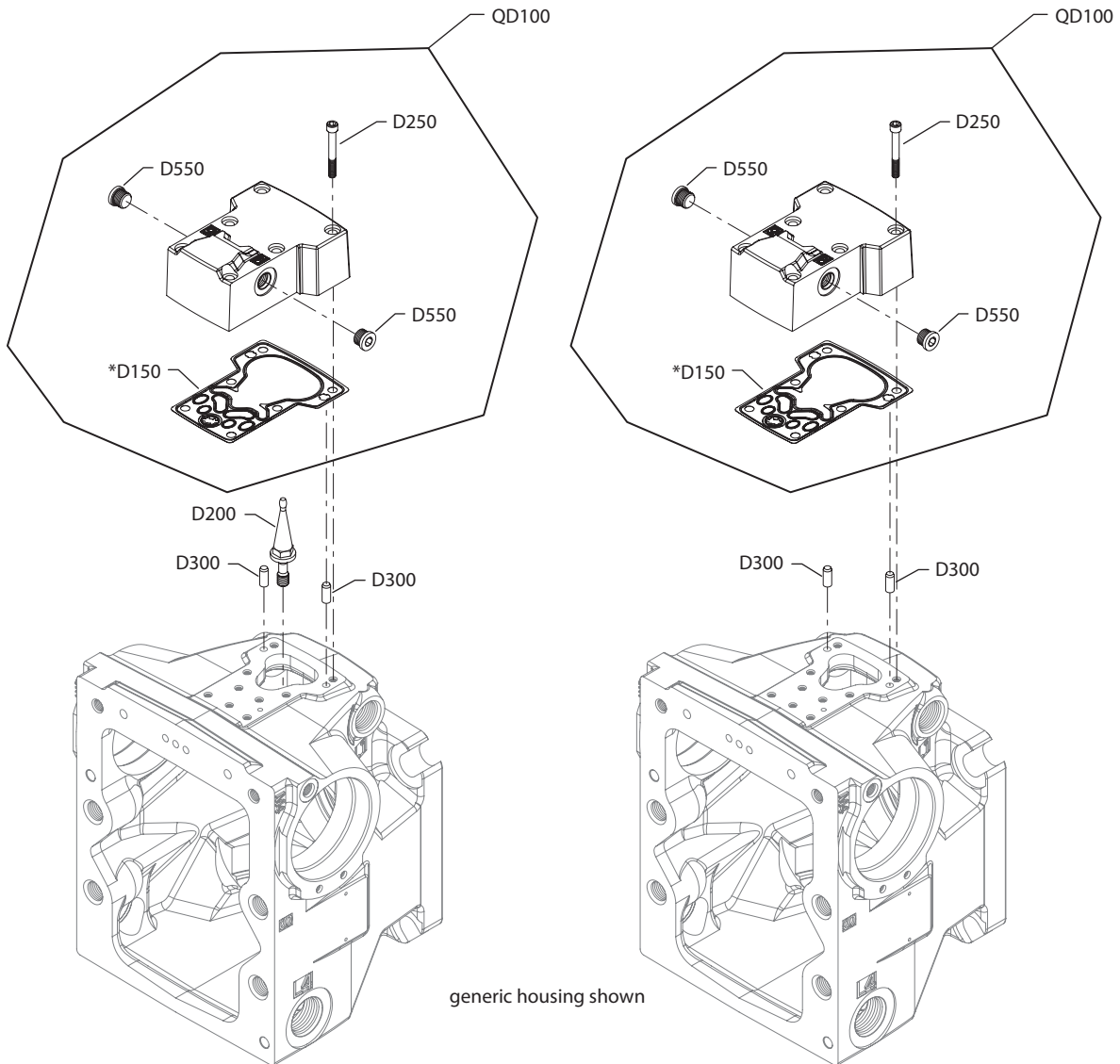
Order Code	Item	Date Begin	Date End	Part Number	Part Name	Qty. per Model/Kit	
N7	D050	16-30		716860	Screw, M5 x 12	6	
	D067	16-30		140642	Plug assembly	1	
	D076	16-30		067694	Screw, M4 x 10	2	
	D150	16-30		11173377	Control gasket (SB-2016-033)	1	
	D250	16-30		505038	Screw, M6 x 45	6	
	D300	16-30		310979	Dowel pin	2	
	QD25	16-30		140750	Proportional solenoid, 12v	2	
	QD26	16-30		11001952	O-ring	2	
	QD27	16-30		11004698	Coil kit, 12v, Deutsch connector	2	
	QD28	16-30		063172	O-ring	2	
	QD29	16-30		11004749	Coil nut	2	
	QD30	16-30		11027883	Cap	2	
	QD80	16-30		11129914	Solenoid, 12V, Deutsch connector	1	
	QD81	16-30		11152257	O-ring	1	
	QD83	16-30		11147301	Coil kit, 12V, Deutsch connector	1	
	QD84	16-30		11140393	O-ring	1	
	QD85	16-30		11140394	Nut	1	
	QD100	16-30		11147919	NFPE control kit, 12v, CCO	1	
	N8	D050	16-30		716860	Screw, M5 x 12	6
		D067	16-30		140642	Plug assembly	1
D076		16-30		067694	Screw, M4 x 10	2	
D150		16-30		11173377	Control gasket (SB-2016-033)	1	
D250		16-30		505038	Screw, M6 x 45	6	
D300		16-30		310979	Dowel pin	2	
QD25		16-30		140751	Proportional solenoid, 24v	2	
QD26		16-30		11001952	O-ring	2	
QD27		16-30		11004700	Coil kit, 24v, Deutsch connector	2	
QD28		16-30		063172	O-ring	2	
QD29		16-30		11004750	Coil nut	2	
QD30		16-30		11027883	Cap	2	
QD80		16-30		11129915	Solenoid, 24V, Deutsch connector	1	
QD81		16-30		11152257	O-ring	1	
QD83		16-30		11147332	Coil kit, 24V, Deutsch connector	1	
QD84		16-30		11140393	O-ring	1	
QD85		16-30		11140394	Nut	1	
QD100		16-30		11147923	NFPE control kit, 24v, CCO	1	



Variable displacement pump

(ND)

(NN)



E103 360E

* = included in overhaul seal kit Q210



Variable displacement pump

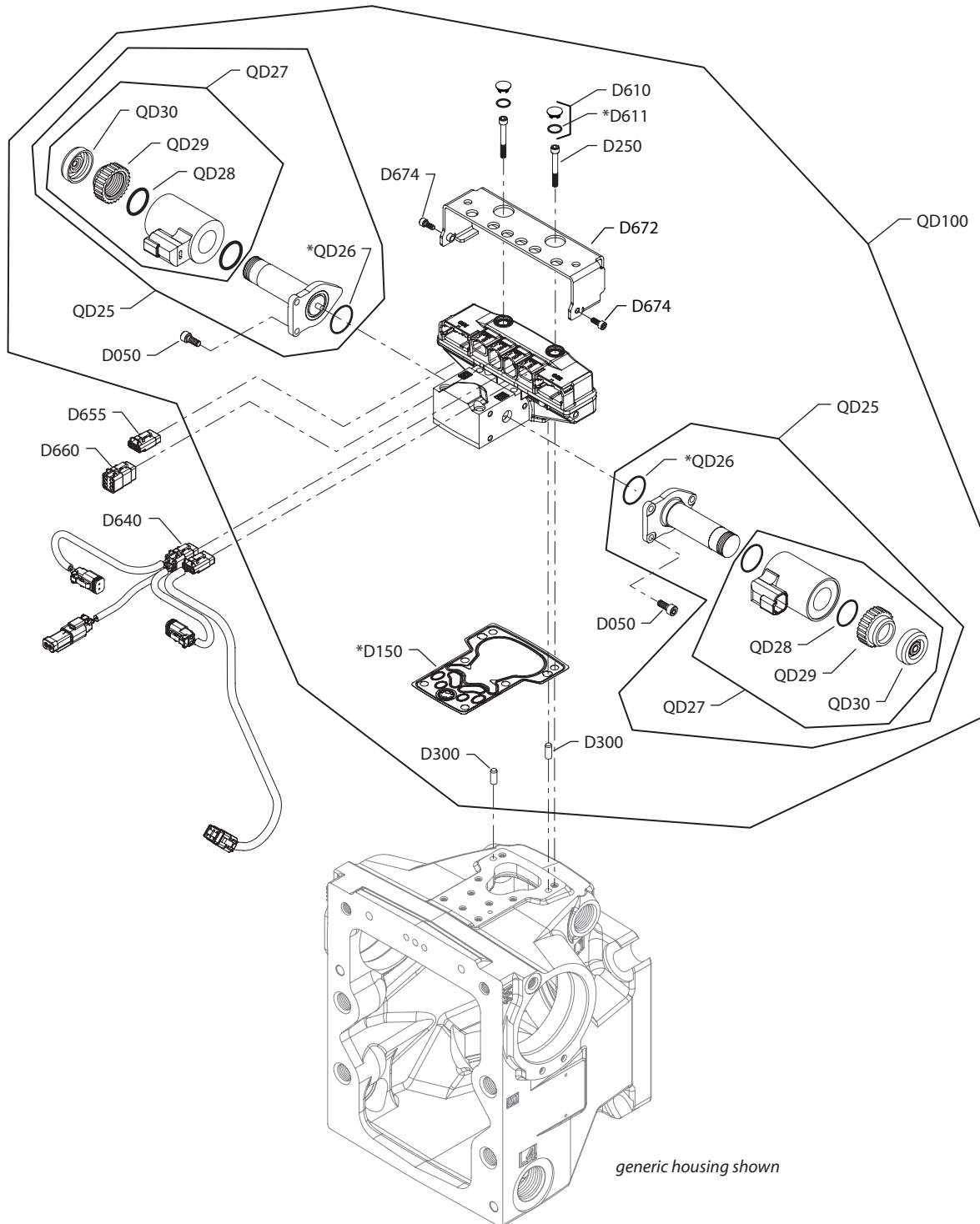
Control

Order Code	Item	Date Begin	Date End	Part Number	Part Name	Qty. per Model/Kit
ND	D150	16-02		11173377	Control gasket (SB-2016-033)	1
	D200	16-02		11148827	Swashplate feedback link	1
	D250	16-02		505038	Screw, M6 x 45	6
	D300	16-02		310979	Dowel pin	2
	D550	16-02		140644	Plug assembly	2
	QD100	16-02		11121984	Control cover kit	1
NN	D150	13-38		11173377	Control gasket (SB-2016-033)	1
	D250	13-38		505038	Screw, M6 x 45	6
	D300	13-38		310979	Dowel pin	2
	D550	13-38		140644	Plug assembly	2
	QD100	13-38		11121984	Control cover kit	1



Variable displacement pump

(P6 & P7)



E103 611E

* = included in overhaul seal kit Q210

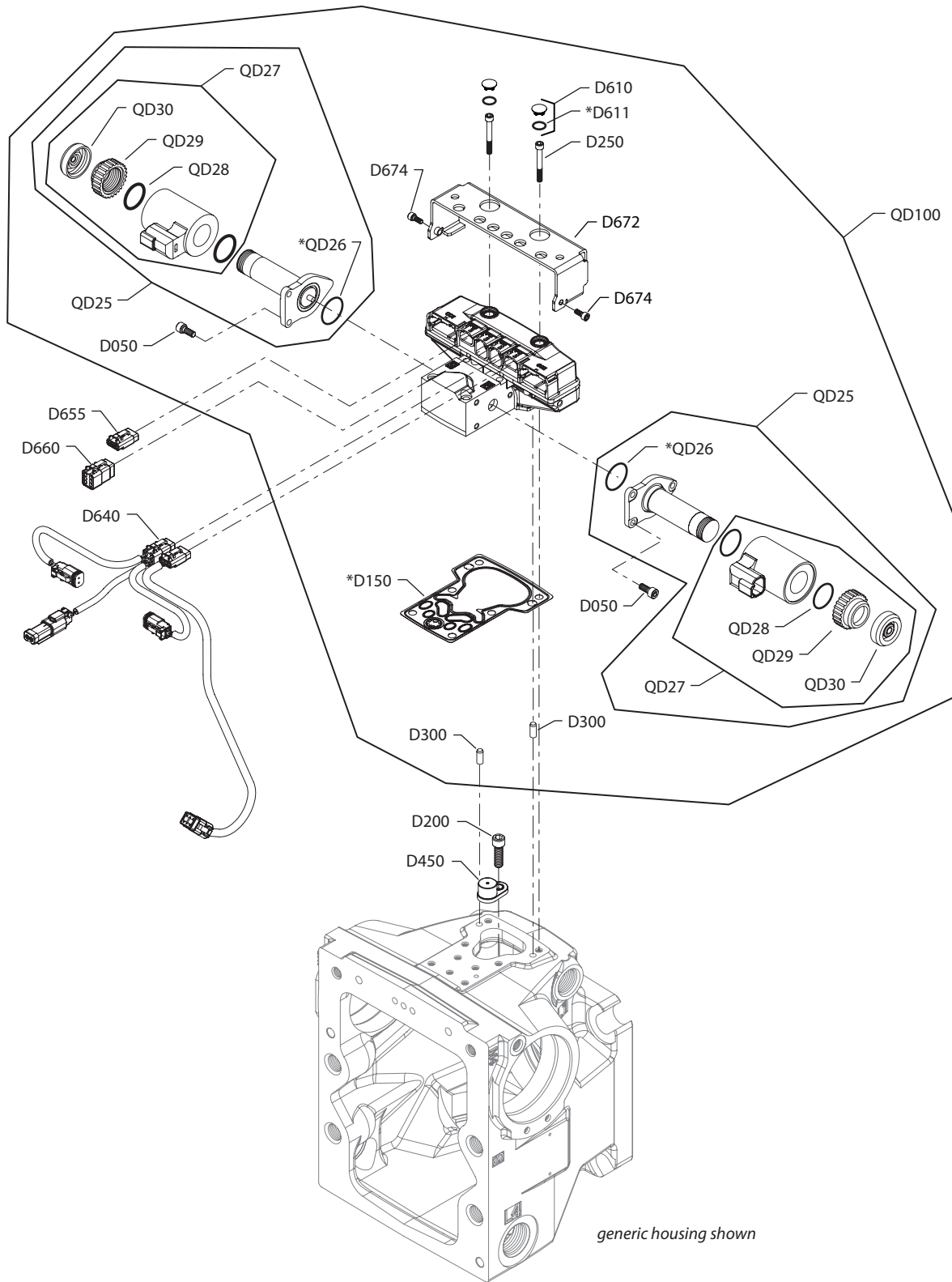

Variable displacement pump
Control

Order Code	Item	Date Begin	Date End	Part Number	Part Name	Qty. per Model/Kit	
P6	D050	16-30		716860	Screw, M5 x 12	6	
	D150	16-30		11173377	Control gasket (SB-2016-033)	1	
	D250	16-30		505038	Screw, M6 x 45	6	
	D300	16-30		11036469	Dowel pin	2	
	D610	16-30		11000467	Plug assembly	2	
	D611	16-30		11066774	O-ring	2	
	D640	16-30		11023348	AC wiring harness	1	
	D655	16-30		11084827	Blank, connector DTM 06-3S	1	
	D660	16-30		11084822	Blank, connector DTM 06-6S	1	
	D672	16-30		11151875	Protection	1	
	D674	16-30		716860	Screw, M5 x 12	2	
	QD25	16-30		140750	Proportional solenoid, 12 volt	2	
	QD26	16-30		11001952	O-ring	2	
	QD27	16-30		11004698	Coil kit, 12v, Deutsch connector	2	
	QD28	16-30		063172	O-ring	2	
	QD29	16-30		11004749	Coil nut	2	
	QD30	16-30		11027883	Cap	2	
	QD100	16-30		11147941	Automotive control kit, 12v, manual override	1	
	P7	D050	16-30		716860	Screw, M5 x 12	6
		D150	16-30		11173377	Control gasket (SB-2016-033)	1
D250		16-30		505038	Screw, M6 x 45	6	
D300		16-30		11036469	Dowel pin	2	
D610		16-30		11000467	Plug assembly	2	
D611		16-30		11066774	O-ring	2	
D640		16-30		11023348	AC wiring harness	1	
D655		16-30		11084827	Blank, connector DTM 06-3S	1	
D660		16-30		11084822	Blank, connector DTM 06-6S	1	
D672		16-30		11151875	Protection	1	
D674		16-30		716860	Screw, M5 x 12	2	
QD25		16-30		140751	Proportional solenoid, 24 volt	2	
QD26		16-30		11001952	O-ring	2	
QD27		16-30		11004700	Coil kit, 24v, Deutsch connector	2	
QD28		16-30		063172	O-ring	2	
QD29		16-30		11004750	Coil nut	2	
QD30		16-30		11027883	Cap	2	
QD100		16-30		11147943	Automotive control kit, 24v, manual override	1	



Variable displacement pump

(P8 & P9)



E103 612E

* = included in overhaul seal kit Q210

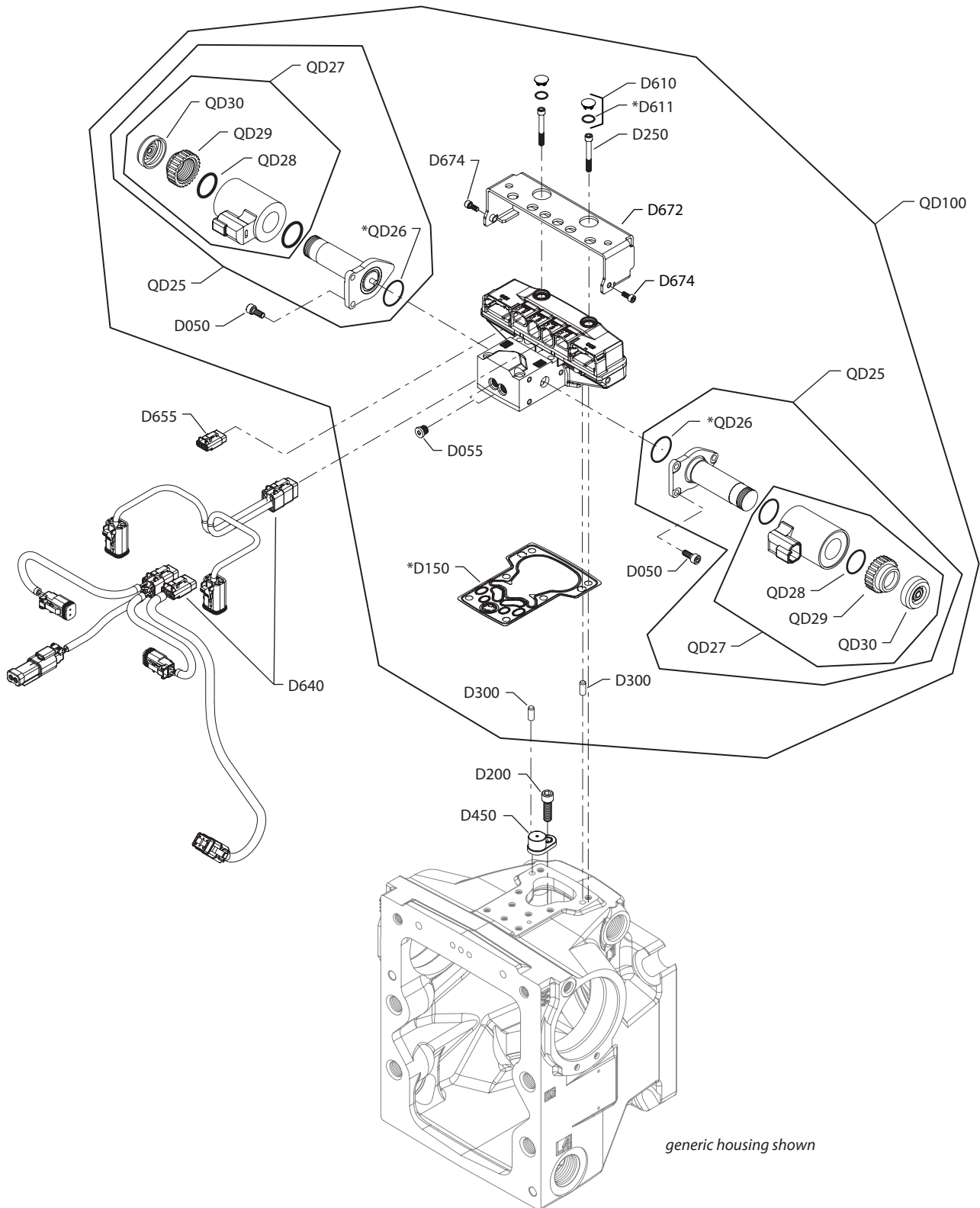

Variable displacement pump
Control

Order Code	Item	Date Begin	Date End	Part Number	Part Name	Qty. per Model/Kit
P8	D050	16-30		716860	Screw, M5 x 12	6
	D150	16-30		11173377	Control gasket (SB-2016-033)	1
	D200	16-30		141472	Screw, special	1
	D250	16-30		505038	Screw, M6 x 45	6
	D300	16-30		11036469	Dowel pin	2
	D450	16-30		11003097	Magnetic carrier	1
	D610	16-30		11000467	Plug assembly	2
	D611	16-30		11066774	O-ring	2
	D640	16-30		11023348	AC wiring harness	1
	D655	16-30		11084827	Blank, connector DTM 06-3S	1
	D660	16-30		11084822	Blank, connector DTM 06-6S	1
	D672	16-30		11151875	Protection	1
	D674	16-30		716860	Screw, M5 x 12	2
	QD25	16-30		140750	Proportional solenoid, 12 volt	2
	QD26	16-30		11001952	O-ring	2
	QD27	16-30		11004698	Coil kit, 12v, Deutsch connector	2
	QD28	16-30		063172	O-ring	2
	QD29	16-30		11004749	Coil nut	2
	QD30	16-30		11027883	Cap	2
	QD100	16-30		11147940	Automotive control kit, 12v, manual override	1
P9	D050	16-30		716860	Screw, M5 x 12	6
	D150	16-30		11173377	Control gasket (SB-2016-033)	1
	D200	16-30		141472	Screw, special	1
	D250	16-30		505038	Screw, M6 x 45	6
	D300	16-30		11036469	Dowel pin	2
	D450	16-30		11003097	Magnetic carrier	1
	D610	16-30		11000467	Plug assembly	2
	D611	16-30		11066774	O-ring	2
	D640	16-30		11023348	AC wiring harness	1
	D655	16-30		11084827	Blank, connector DTM 06-3S	1
	D660	16-30		11084822	Blank, connector DTM 06-6S	1
	D672	16-30		11151875	Protection	1
	D674	16-30		716860	Screw, M5 x 12	2
	QD25	16-30		140751	Proportional solenoid, 24 volt	2
	QD26	16-30		11001952	O-ring	2
	QD27	16-30		11004700	Coil kit, 24v, Deutsch connector	2
	QD28	16-30		063172	O-ring	2
	QD29	16-30		11004750	Coil nut	2
	QD30	16-30		11027883	Cap	2
	QD100	16-30		11147942	Automotive control kit, 24v, manual override	1



Variable displacement pump

(R1 & R2)





Variable displacement pump

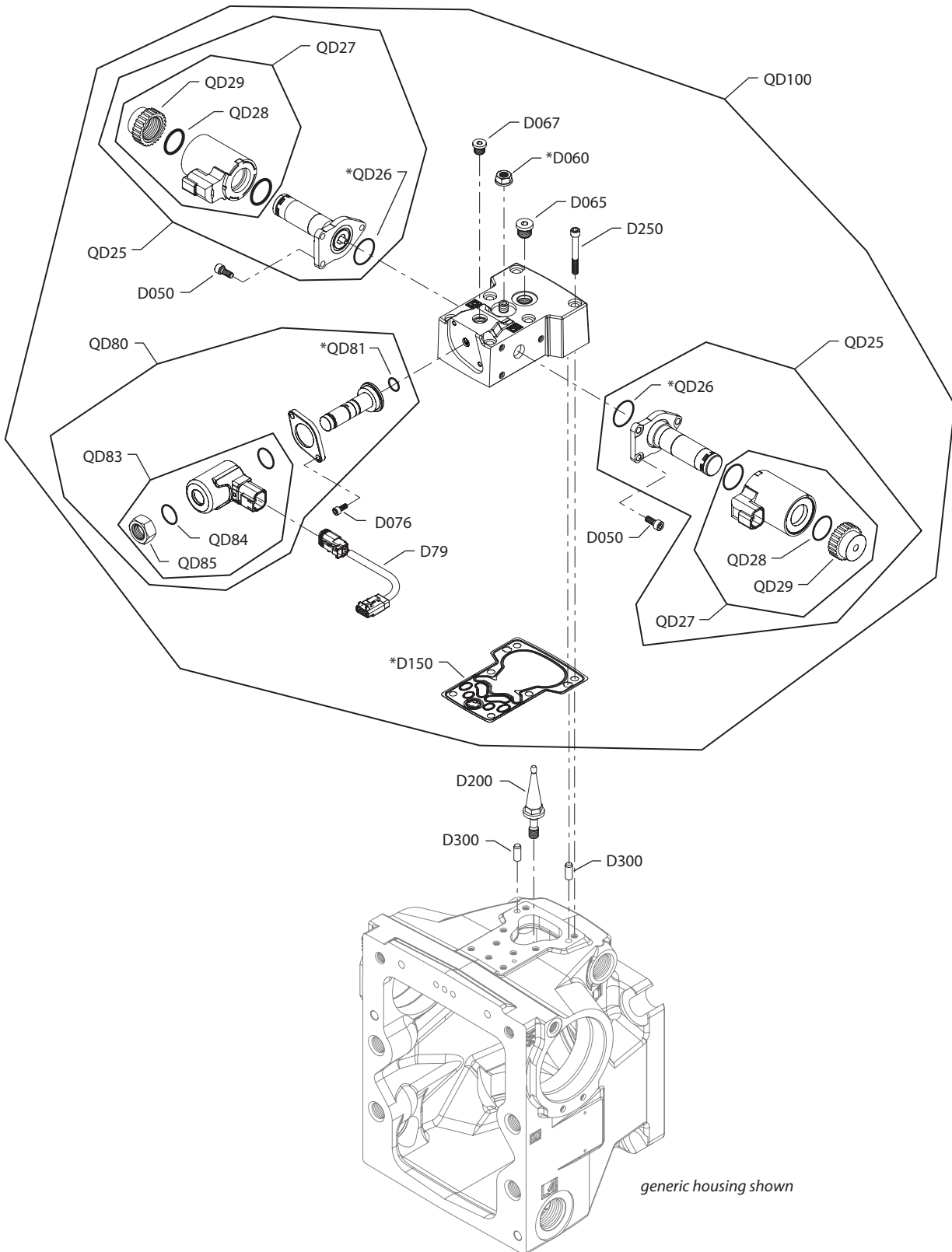
Control

Order Code	Item	Date Begin	Date End	Part Number	Part Name	Qty. per Model/Kit
R1	D050	16-30		716860	Screw, M5 x 12	6
	D150	16-30		11173377	Control gasket (SB-2016-033)	1
	D200	16-30		141472	Screw, special	1
	D250	16-30		505038	Screw, M6 x 45	6
	D300	16-30		11036469	Dowel pin	2
	D450	16-30		11003097	Magnetic carrier	1
	D610	16-30		11000467	Plug assembly	2
	D611	16-30		11066774	O-ring	2
	D640	16-30		11105876	AC wiring harness	1
	D655	16-30		11084827	Blank, connector DTM 06-3S	1
	D672	16-30		11151875	Protection	1
	D674	16-30		716860	Screw, M5 x 12	2
	QD25	16-30		140750	Proportional solenoid, 12 volt	2
	QD26	16-30		11001952	O-ring	2
	QD27	16-30		11004698	Coil kit, 12v, Deutsch connector	2
	QD28	16-30		063172	O-ring	2
	QD29	16-30		11004749	Coil nut	2
	QD30	16-30		11027883	Cap	2
	QD100	16-30		11147940	Automotive control kit, 12v, manual override	1
	R2	D050	16-30		716860	Screw, M5 x 12
D150		16-30		11173377	Control gasket (SB-2016-033)	1
D200		16-30		141472	Screw, special	1
D250		16-30		505038	Screw, M6 x 45	6
D300		16-30		11036469	Dowel pin	2
D450		16-30		11003097	Magnetic carrier	1
D610		16-30		11000467	Plug assembly	2
D611		16-30		11066774	O-ring	2
D640		16-30		11105876	AC wiring harness	1
D655		16-30		11084827	Blank, connector DTM 06-3S	1
D672		16-30		11151875	Protection	1
D674		16-30		716860	Screw, M5 x 12	2
QD25		16-30		140751	Proportional solenoid, 24 volt	2
QD26		16-30		11001952	O-ring	2
QD27		16-30		11004700	Coil kit, 24v, Deutsch connector	2
QD28		16-30		063172	O-ring	2
QD29		16-30		11004750	Coil nut	2
QD30		16-30		11027883	Cap	2
QD100		16-30		11147942	Automotive control kit, 24v, manual override	1



Variable displacement pump

(S6)



generic housing shown

E103 378E

* = included in overhaul seal kit Q210

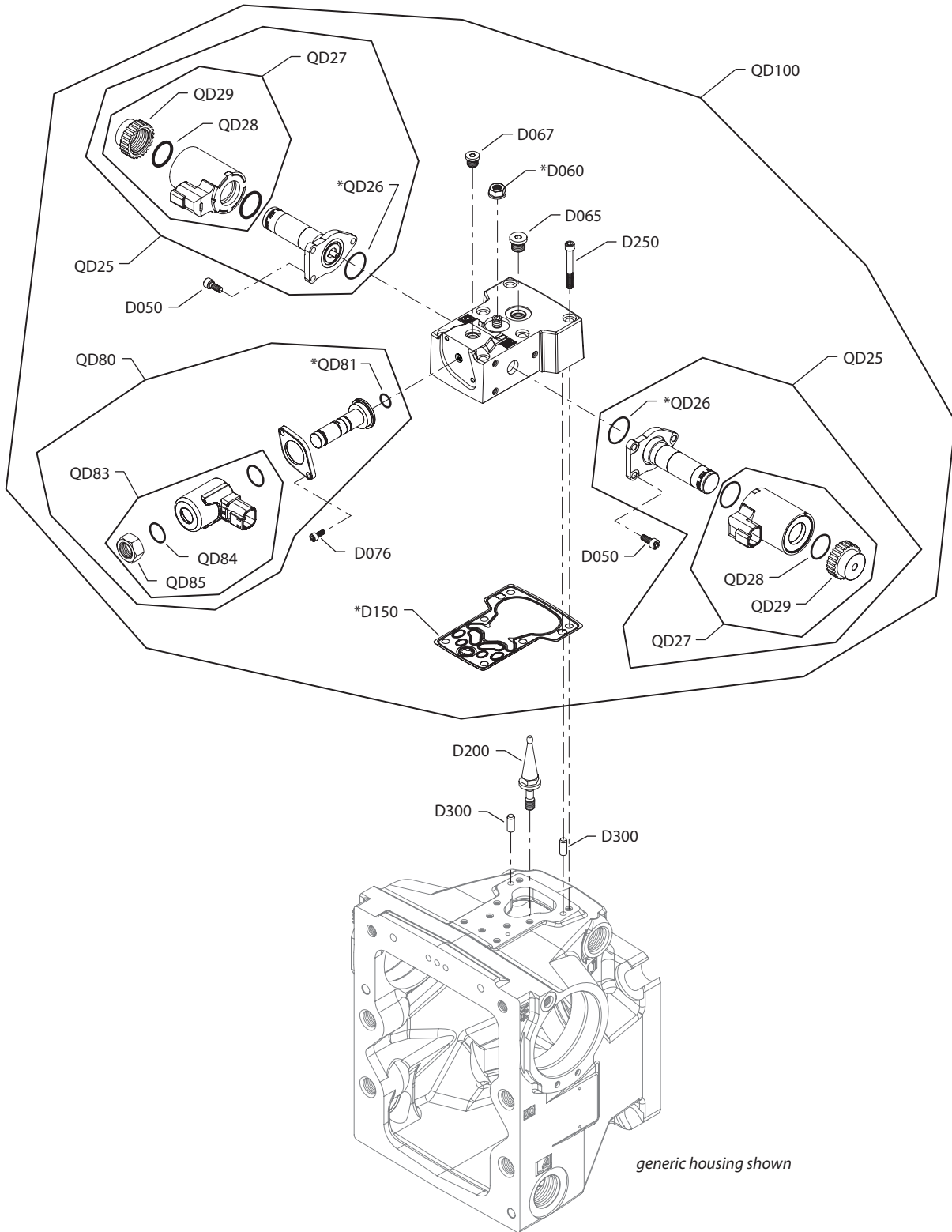

Variable displacement pump
Control

Order Code	Item	Date Begin	Date End	Part Number	Part Name	Qty. per Model/Kit
S6	D79	14-25		11150437	Cable adapter	1
	D050	14-25		716860	Screw, M5 x 12	6
	D060	14-25		612291 (9003508-0008)	Seal nut, M8	1
	D065	14-25		140642	Plug assembly	1
	D067	14-25		11040532	Plug assembly	1
	D150	14-25		11173377	Control gasket (SB-2016-033)	1
	D200	14-25		11148827	Swashplate feedback link	1
	D250	14-25		505038	Screw, M6 x 45	6
	D300	14-25		310979	Dowel pin	2
	QD25	14-25		11012457	Proportional solenoid, 12v	2
	QD26	14-25		11001952	O-ring	2
	QD27	14-25		11028018	Coil kit, 12v, Deutsch connector	2
	QD28	14-25		063172	O-ring	2
	QD29	14-25		11027046	Coil nut	2
	QD80	14-25		11129914	Solenoid vale, on/off, 12v	1
	QD81	14-25		11152257	O-ring	1
	QD83	14-25		11147301	Coil kit, 12v	1
	QD84	14-25		11140393	O-ring	1
	QD85	14-25		11140394	Coil nut	1
	QD100	14-25		11152574	EDC kit, 12v, CORF	1



Variable displacement pump

(S7)



generic housing shown

E103 356E

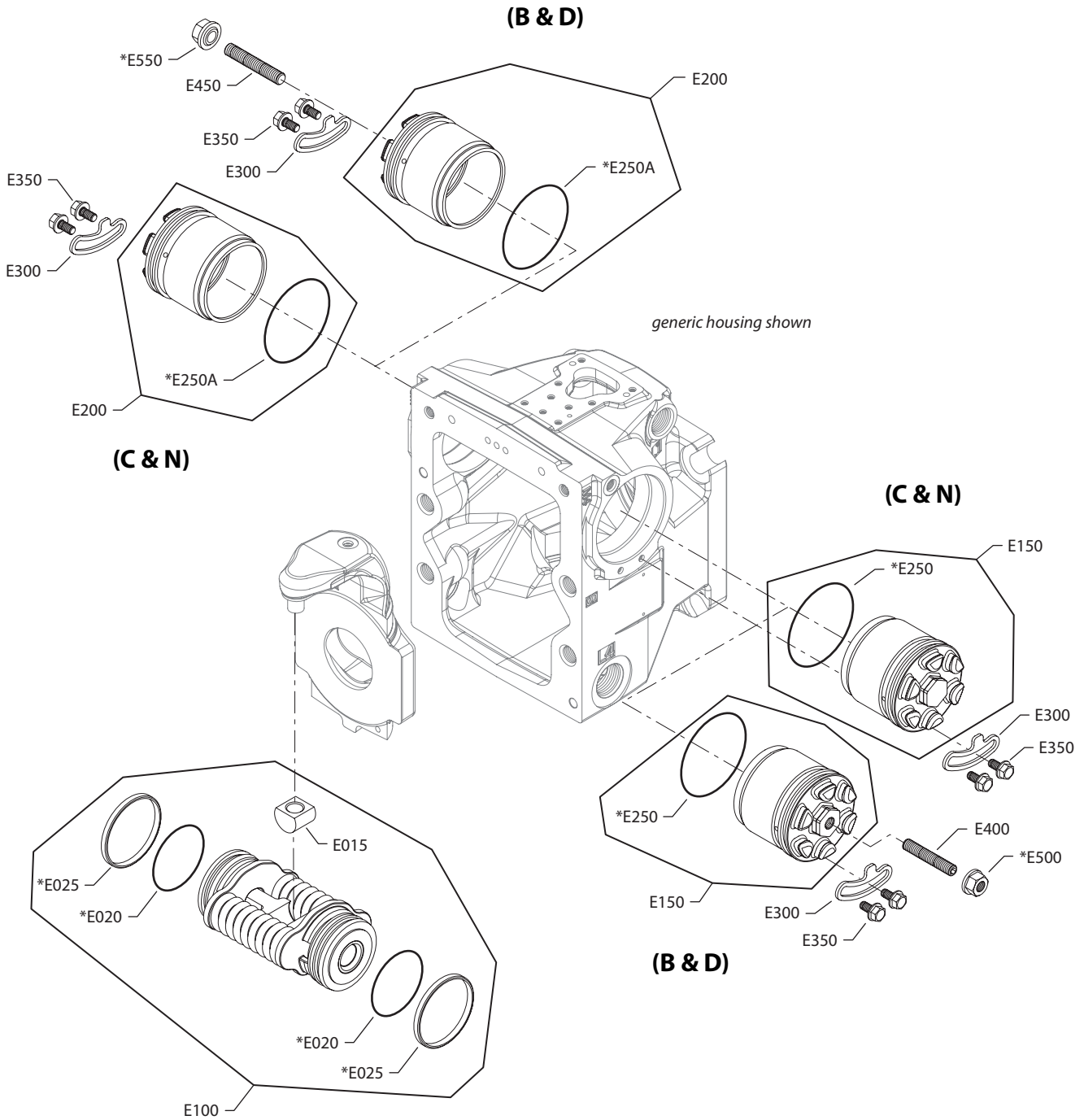
* = included in overhaul seal kit Q210


Variable displacement pump
Control

Order Code	Item	Date Begin	Date End	Part Number	Part Name	Qty. per Model/Kit
S7	D050	14-31		716860	Screw, M5 x 12	6
	D060	14-31		612291 (9003508-0008)	Seal nut, M8	1
	D065	14-31		140642	Plug assembly	1
	D067	14-31		11040532	Plug assembly	1
	D150	14-31		11173377	Control gasket (SB-2016-033)	1
	D200	14-31		11148827	Swashplate feedback link	1
	D250	14-31		505038	Screw, M6 x 45	6
	D300	14-31		310979	Dowel pin	2
	QD25	14-31		11012457	Proportional solenoid, 12v	2
	QD26	14-31		11001952	O-ring	2
	QD27	14-31		11028018	Coil kit, 12v, Deutsch connector	2
	QD28	14-31		063172	O-ring	2
	QD29	14-31		11027046	Coil nut	2
	QD80	14-31		11129914	Solenoid vale, on/off, 12v	1
	QD81	14-31		11152257	O-ring	1
	QD83	14-31		11147301	Coil kit, 12v	1
	QD84	14-31		11140393	O-ring	1
	QD85	14-31		11140394	Coil nut	1
	QD100	14-31		11152574	EDC kit, 12v, CORF	1



Variable displacement pump



E100 915E

* = included in overhaul seal kit Q210



Variable displacement pump

Displacement limitation

Order Code	Item	Date Begin	Date End	Part Number	Part Name	Qty. per Model/Kit
	E015	08-10		11141991	Slider block	1
	E020	08-10		11075557	O-ring	2
	E025	08-10		11075556	Piston seal ring	2
	E250	08-10		071845 (9004104-1510)	O-ring	2
	E300	10-35		11033382	Locking plate	2
	E300	08-10	10-34	140513	Locking plate (SB-2009-046)	2
	E350	08-10		508438	Screw	4

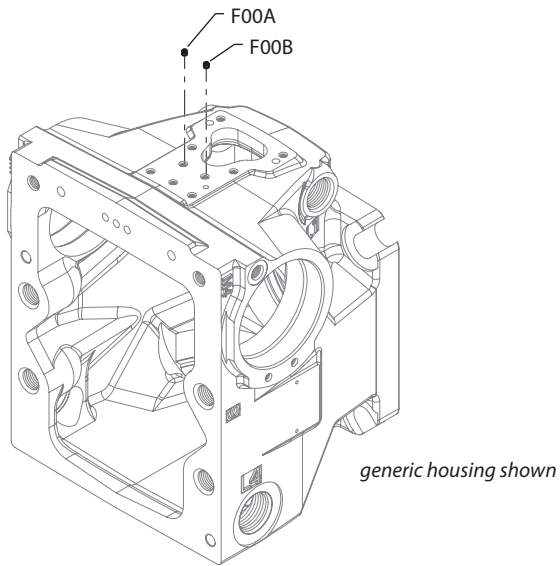
Displacement limitation

B	E100	08-10		141243	Servo piston assembly	1
	E150	08-10		11089772	Servo cylinder assembly (SB-2009-046)	1
	E200	08-10		11089772	Servo cylinder assembly (SB-2009-046)	1
	E400	08-10		11000798	Set screw	1
	E450	08-10		11000798	Set screw	1
	E500	08-10		649822	Seal nut	1
	E550	08-10		649822	Seal nut	1
	C	E100	08-10		11001831	Servo piston assembly w/nested spring
E150		08-10		11089773	Servo cylinder assembly (SB-2009-046)	1
E200		08-10		11089773	Servo cylinder assembly (SB-2009-046)	1
D	E100	08-10		11001831	Servo piston assembly w/nested spring	1
	E150	08-10		11089772	Servo cylinder assembly (SB-2009-046)	1
	E200	08-10		11089772	Servo cylinder assembly (SB-2009-046)	1
	E400	08-10		11000798	Set screw	1
	E450	08-10		11000798	Set screw	1
	E500	08-10		649822	Seal nut	1
	E550	08-10		649822	Seal nut	1
	N	E100	08-10		141243	Servo piston assembly
E150		08-10		11089773	Servo cylinder assembly (SB-2009-046)	1
E200		08-10		11089773	Servo cylinder assembly (SB-2009-046)	1

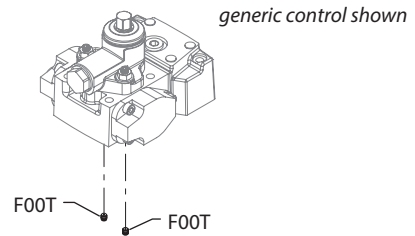


Variable displacement pump

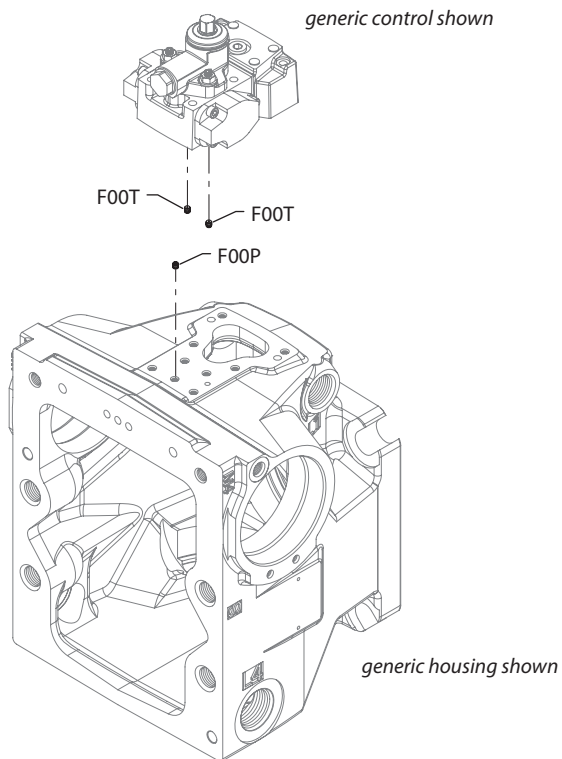
(C1, C2, C4 & D7)



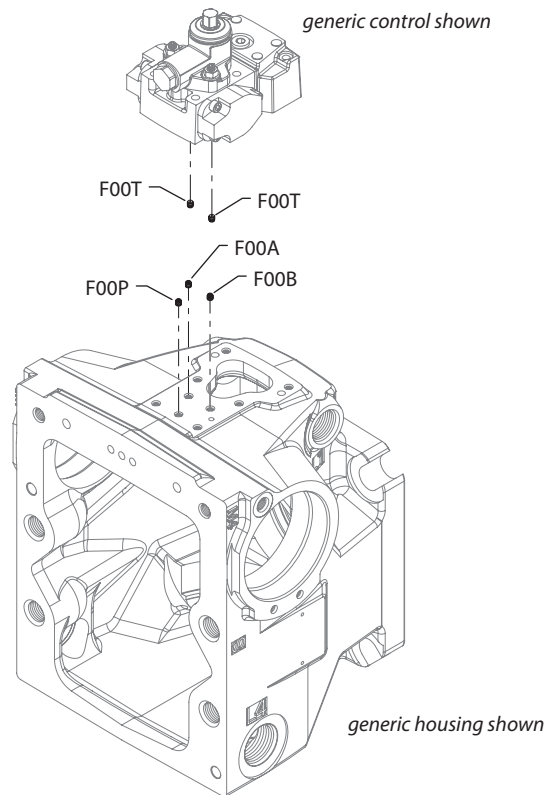
(C6 & C7)



(D1, D2, D3 & D6)



(D4)




Variable displacement pump
Orifice

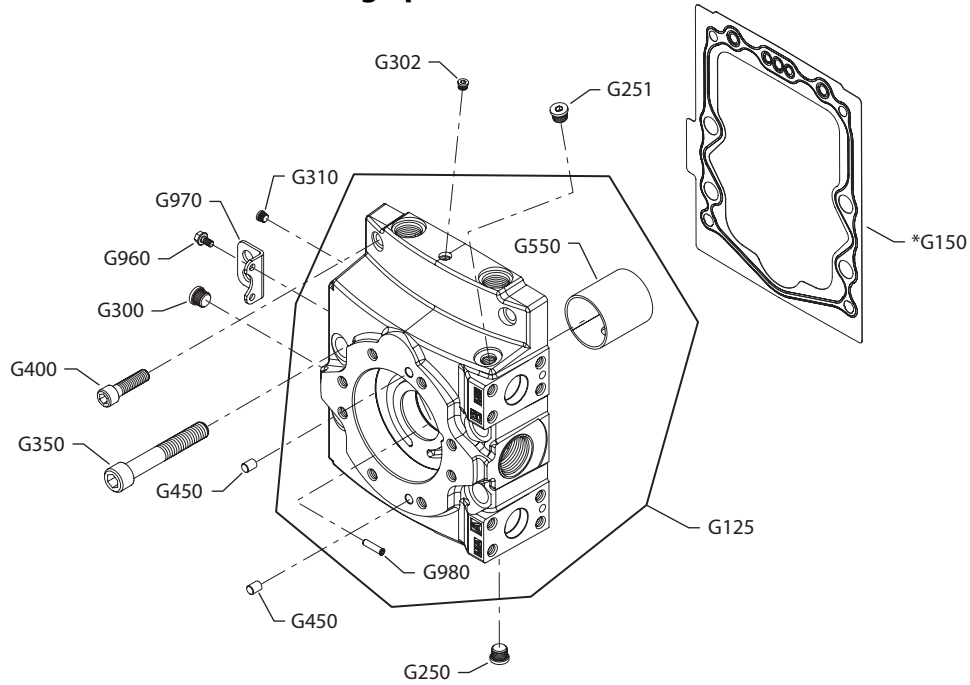
Order Code	Item	Date Begin	Date End	Part Number	Part Name	Qty. per Model/Kit
C1	F00A	08-10		140611	Orifice, 0.8, M6 x 0.75 mm	1
	F00B	08-10		140611	Orifice, 0.8, M6 x 0.75 mm	1
C2	F00A	08-10		140754	Orifice, 1.3, M6 x 0.75 mm	1
	F00B	08-10		140754	Orifice, 1.3, M6 x 0.75 mm	1
C3				No parts		
C4	F00A	14-01		140757	Orifice, 1.8, M6 x 0.75 mm	1
	F00B	14-01		140757	Orifice, 1.8, M6 x 0.75 mm	1
C6	F00T	14-01		11151734	Orifice, 1.0 M6 x 0.75 mm	2
C7	F00T	14-01		140754	Orifice, 1.3, M6 x 0.75 mm	2
D1	F00P	14-01		11151734	Orifice, 1.0, M6 x 0.75 mm	1
	F00T	14-01		140611	Orifice, 0.8, M6 x 0.75 mm	2
D2	F00P	14-01		140754	Orifice, 1.3, M6 x 0.75 mm	1
	F00T	14-01		140611	Orifice, 0.8, M6 x 0.75 mm	2
D3	F00P	14-01		140754	Orifice, 1.3, M6 x 0.75 mm	1
	F00T	14-01		11151734	Orifice, 1.0 M6 x 0.75 mm	2
D4	F00A	14-01		140754	Orifice, 1.3, M6 x 0.75 mm	1
	F00B	14-01		140754	Orifice, 1.3, M6 x 0.75 mm	1
	F00P	14-01		140754	Orifice, 1.3, M6 x 0.75 mm	1
	F00T	14-01		11151734	Orifice, 1.0 M6 x 0.75 mm	2
D6	F00P	14-01		140754	Orifice, 1.3, M6 x 0.75 mm	1
	F00T	14-01		140754	Orifice, 1.3, M6 x 0.75 mm	2
D7	F00A	14-01		11168268	Orifice, 3.0, M6 x 0.75 mm	1
	F00B	14-01		11168268	Orifice, 3.0, M6 x 0.75 mm	1



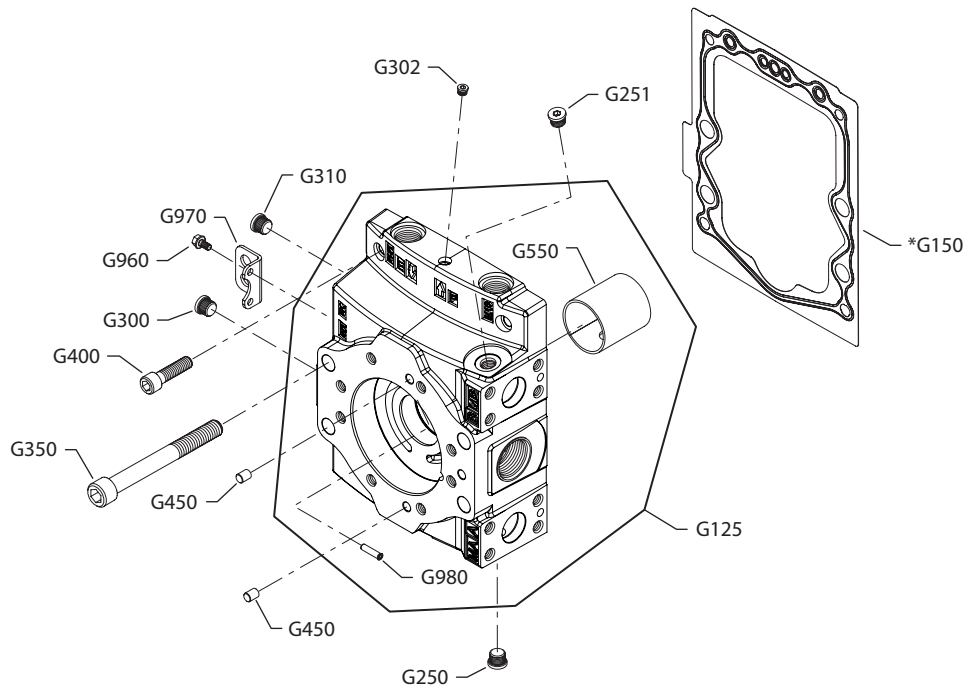
Variable displacement pump

(D3)

Design prior to 15-03, CW
Design prior to 14-36, CCW



Design after 15-02, CW
Design after 14-35, CCW



E100 916E

* = included in overhaul seal kit Q210


Variable displacement pump
End cap

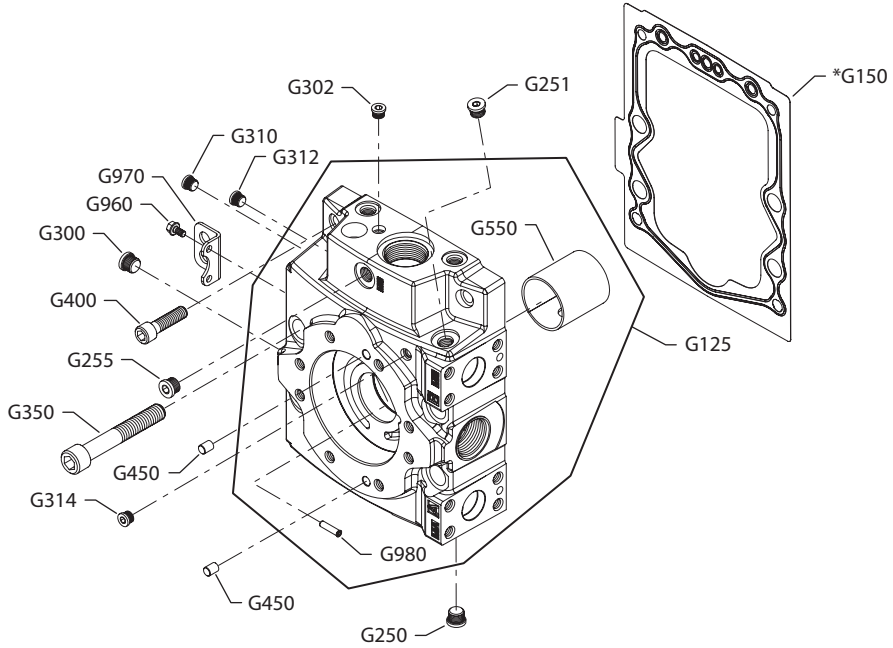
Order Code	Item	Date Begin	Date End	Part Number	Part Name	Qty. per Model/Kit
D3	G125	15-03		11003665	End cap assembly, CW	1
(CW)	G150	08-10		11001894	End cap gasket	1
	G250	08-10		140644	Plug assembly	1
	G251	08-10		140644	Plug assembly	1
	G300	08-10		140644	Plug assembly	1
	G302	08-10		11040532	Plug assembly (CW rotation pump)	1
	G310	15-03		140644	Plug assembly (CW rotation pump)	1
	G310	08-10	15-02	11040532	Plug assembly (CW rotation pump)	1
	G350	15-03		5000676	Screw, M16 x 130 (CW rotation pump)	4
	G350	08-10	15-02	519508	Screw, M16 x 100 (CW rotation pump)	4
	G400	08-10		147900	Screw, M10 x 45	2
	G450	08-10		9004800-3708	Dowel pin	2
	G550	08-10		11070150	Journal bearing	1
	G960	08-10		508438	Screw M6 x 12	2
	G970	08-10		4460311	Lifting bracket	1
	G980	08-10		11000229	Lubrication orifice	1
D3	G125	14-36		11003643	End cap assembly, CCW	1
(CCW)	G150	08-10		11001894	End cap gasket	1
	G250	08-10		140644	Plug assembly	1
	G251	08-10		140644	Plug assembly	1
	G300	08-10		140644	Plug assembly	1
	G302	14-36		11040532	Plug assembly (CCW rotation pump)	1
	G310	14-36		140644	Plug assembly (CCW rotation pump)	1
	G310	08-10	14-35	11040532	Plug assembly (CCW rotation pump)	1
	G350	14-36		5000676	Screw, M16 x 130 (CCW rotation pump)	4
	G350	08-10	14-35	519508	Screw, M16 x 100 (CCW rotation pump)	4
	G400	08-10		147900	Screw, M10 x 45	2
	G450	08-10		9004800-3708	Dowel pin	2
	G550	08-10		11070150	Journal bearing	1
	G960	08-10		508438	Screw M6 x 12	2
	G970	08-10		4460311	Lifting bracket	1
	G980	08-10		11000229	Lubrication orifice	1



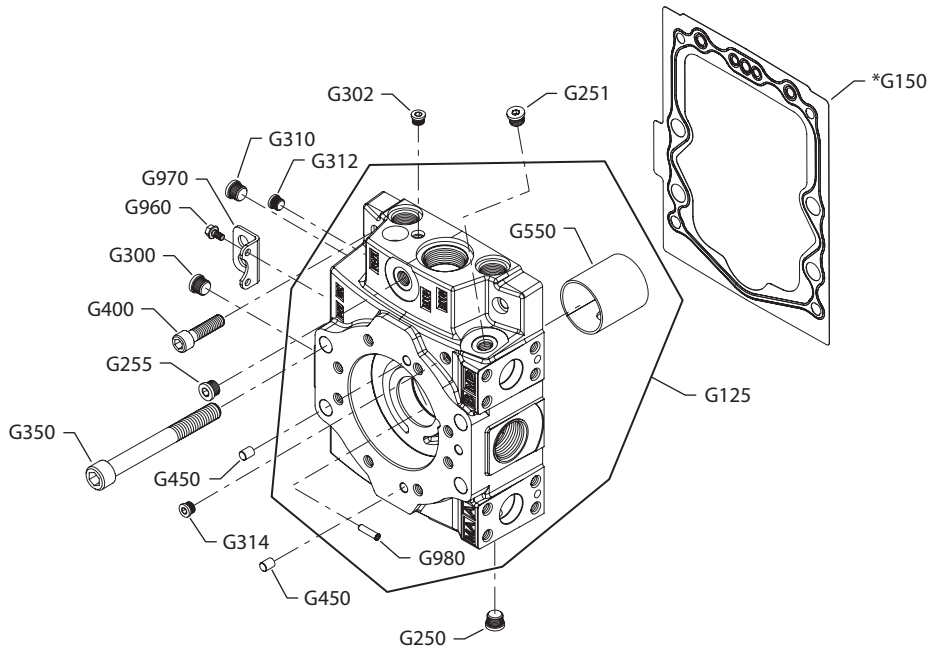
Variable displacement pump

(D4)

Design prior to 15-24



Design after 15-23



E100 736E

* = included in overhaul seal kit Q210


Variable displacement pump
End cap

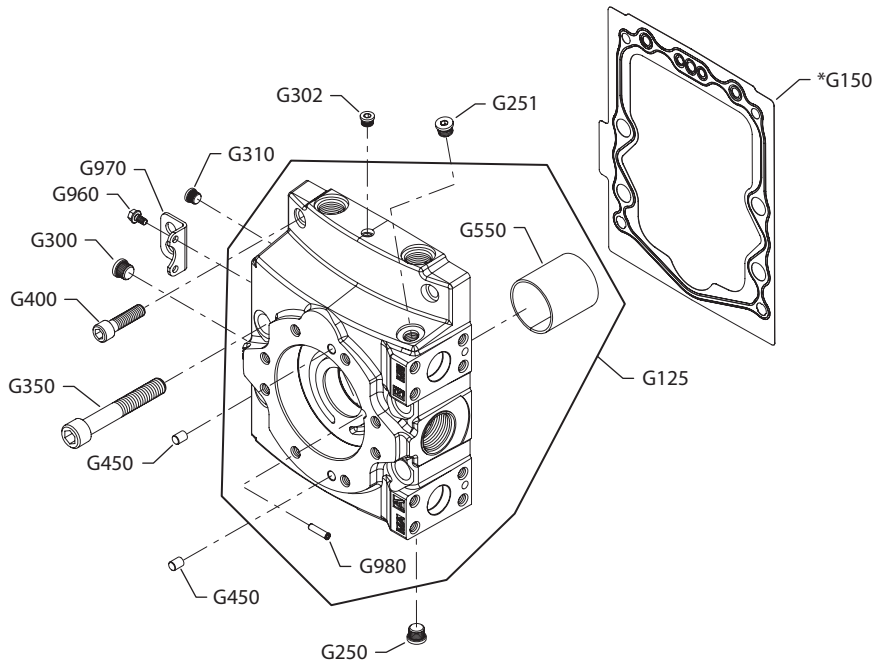
Order Code	Item	Date Begin	Date End	Part Number	Part Name	Qty. per Model/Kit
D4	G125	15-24		11003672	End cap assembly, CW	1
	G125	15-24		11003650	End cap assembly, CCW	1
	G150	08-10		11001894	End cap gasket	1
	G250	08-10		140644	Plug assembly	1
	G251	08-10		140644	Plug assembly	1
	G255	08-10		140644	Plug assembly	1
	G300	08-10		140644	Plug assembly	1
	G302	08-10		11040532	Plug assembly	1
	G310	15-24		140644	Plug assembly	1
	G310	08-10	15-23	11040532	Plug assembly	1
	G312	08-10		11040532	Plug assembly	1
	G314	15-24		11040532	Plug assembly	1
	G350	15-24		5000676	Screw, M16 x 130	4
	G350	08-10	15-23	519508	Screw, M16 x 100	4
	G400	08-10		147900	Screw, M10 x 45	2
	G450	08-10		9004800-3708	Dowel pin	2
	G550	08-10		11070150	Journal bearing	1
	G960	08-10		508438	Screw M6 x 12	2
	G970	08-10		4460311	Lifting bracket	1
	G980	08-10		11000229	Lubrication orifice	1
D4	G125	16-09		11173128	End cap assembly, CW, metric	1
(metric)	G150	16-09		11001894	End cap gasket	1
	G250	16-09		11178808	Plug assembly, M14	1
	G251	16-09		11178808	Plug assembly, M14	1
	G255	16-09		11178808	Plug assembly, M14	1
	G300	16-09		11178808	Plug assembly, M14	1
	G302	16-09		11040532	Plug assembly	1
	G310	16-09		11178808	Plug assembly, M14	1
	G312	16-09		11040532	Plug assembly	1
	G314	16-09		11040532	Plug assembly	1
	G350	16-09		5000676	Screw, M16 x 130	4
	G400	16-09		147900	Screw, M10 x 45	2
	G450	16-09		9004800-3708	Dowel pin	2
	G550	16-09		11070150	Journal bearing	1
	G960	16-09		508438	Screw M6 x 12	2
	G970	16-09		4460311	Lifting bracket	1
	G980	16-09		11000229	Lubrication orifice	1



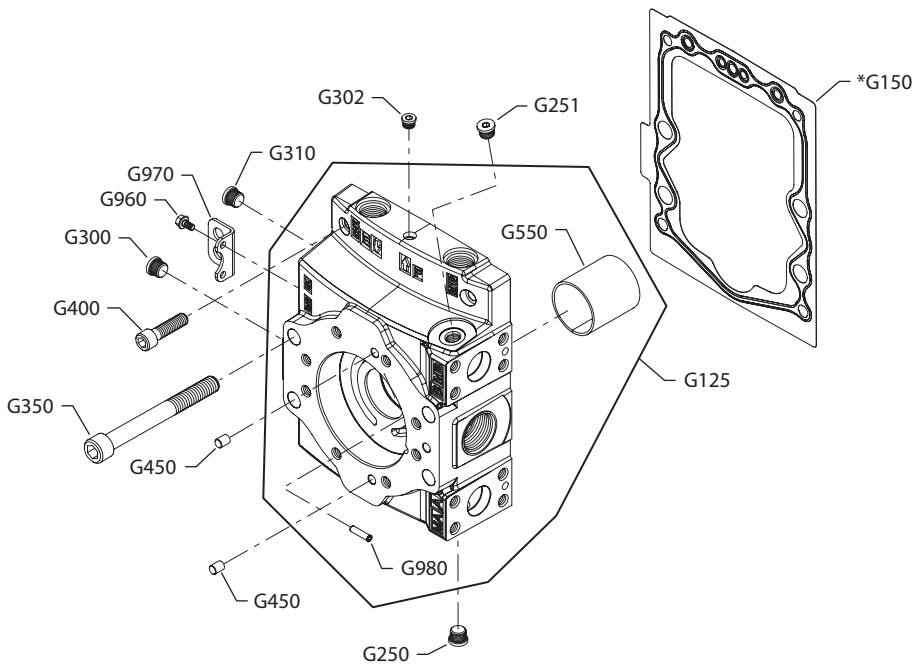
Variable displacement pump

(D6)

Design prior to 14-40, CW
Design prior to 14-35, CCW



Design after 14-39, CW
Design after 14-34, CCW



E103 432E

* = included in overhaul seal kit Q210


Variable displacement pump
End cap

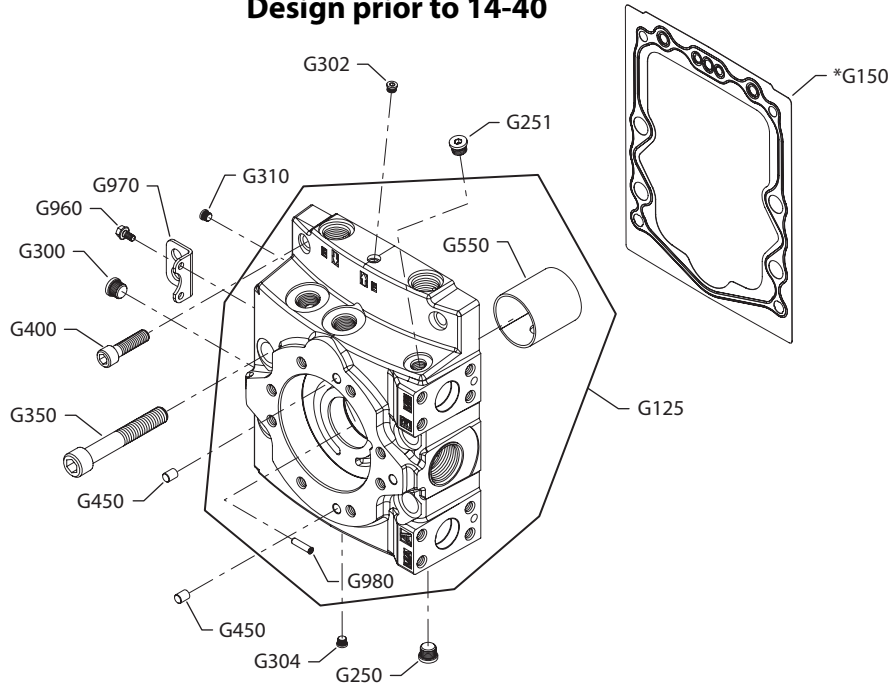
Order Code	Item	Date Begin	Date End	Part Number	Part Name	Qty. per Model/Kit
D6	G125	14-40		11003667	End cap assembly, CW	1
(CW)	G150	08-10		11001894	End cap gasket	1
	G250	08-10		140644	Plug assembly	1
	G251	08-10		140644	Plug assembly	1
	G300	08-10		140644	Plug assembly	1
	G302	08-10		11040532	Plug assembly (CW rotation pump)	1
	G310	14-40		140644	Plug assembly (CW rotation pump)	1
	G310	08-10	14-39	11040532	Plug assembly (CW rotation pump)	1
	G350	14-40		5000676	Screw, M16 x 130 (CW rotation pump)	4
	G350	08-10	14-39	519508	Screw, M16 x 100 (CW rotation pump)	4
	G400	08-10		147900	Screw, M10 x 45	2
	G450	08-10		9004800-3708	Dowel pin	2
	G550	08-10		11070150	Journal bearing	1
	G960	08-10		508438	Screw M6 x 12	2
	G970	08-10		4460311	Lifting bracket	1
	G980	08-10		11000229	Lubrication orifice	1
D6	G125	14-40		11003667	End cap assembly, CW	1
(CCW)	G125	14-35		11003645	End cap assembly, CCW	1
	G150	08-10		11001894	End cap gasket	1
	G250	08-10		140644	Plug assembly	1
	G251	08-10		140644	Plug assembly	1
	G300	08-10		140644	Plug assembly	1
	G302	08-10		11040532	Plug assembly (CCW rotation pump)	1
	G310	14-35		140644	Plug assembly (CCW rotation pump)	1
	G310	08-10	14-34	11040532	Plug assembly (CCW rotation pump)	1
	G350	14-35		5000676	Screw, M16 x 130 (CCW rotation pump)	4
	G350	08-10	14-34	519508	Screw, M16 x 100 (CCW rotation pump)	4
	G400	08-10		147900	Screw, M10 x 45	2
	G450	08-10		9004800-3708	Dowel pin	2
	G550	08-10		11070150	Journal bearing	1
	G960	08-10		508438	Screw M6 x 12	2
	G970	08-10		4460311	Lifting bracket	1
	G980	08-10		11000229	Lubrication orifice	1



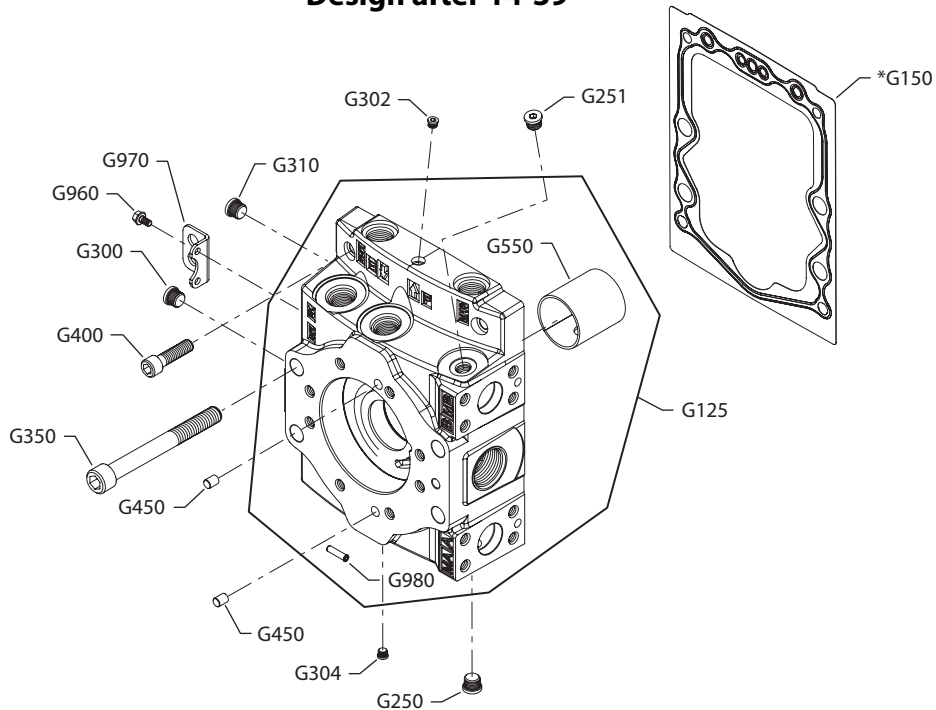
Variable displacement pump

(D8)

Design prior to 14-40



Design after 14-39



E100 996E

* = included in overhaul seal kit Q210


Variable displacement pump
End cap

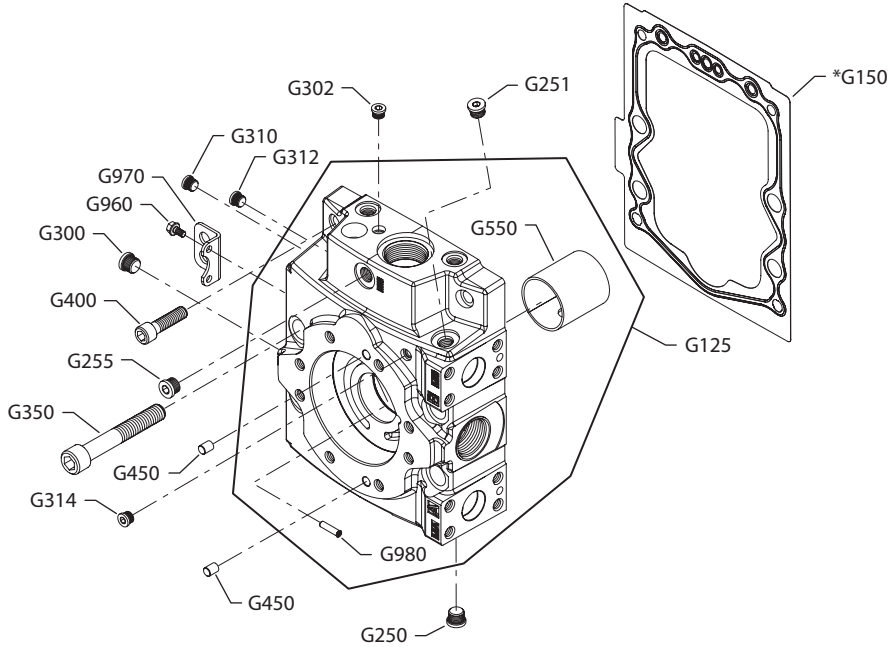
Order Code	Item	Date Begin	Date End	Part Number	Part Name	Qty. per Model/Kit
D8	G125	14-40		11003669	End cap assembly, CW	1
	G125	14-40		11003647	End cap assembly, CCW	1
	G150	08-10		11001894	End cap gasket	1
	G250	08-10		140644	Plug assembly	1
	G251	08-10		140644	Plug assembly	1
	G300	08-10		140644	Plug assembly	1
	G302	08-10		11040532	Plug assembly	1
	G304	12-30		11040532	Plug assembly	1
	G310	14-40		140644	Plug assembly	1
	G310	08-10	14-39	11040532	Plug assembly	1
	G350	14-40		5000676	Screw, M16 x 130	4
	G350	08-10	14-39	519508	Screw, M16 x 100	4
	G400	08-10		147900	Screw, M10 x 45	2
	G450	08-10		9004800-3708	Dowel pin	2
	G550	08-10		11070150	Journal bearing	1
	G960	08-10		508438	Screw M6 x 12	2
	G970	08-10		4460311	Lifting bracket	1
	G980	08-10		11000229	Lubrication orifice	1
D8	G125	16-09		11003669	End cap assembly, CW	1
(metric)	G125	16-09		11174364	End cap assembly, CCW	1
	G150	16-09		11001894	End cap gasket	1
	G250	16-09		11178808	Plug assembly, M14	1
	G251	16-09		11178808	Plug assembly, M14	1
	G300	16-09		11178808	Plug assembly, M14	1
	G302	16-09		11040532	Plug assembly	1
	G304	16-09		11040532	Plug assembly	1
	G310	16-09		11178808	Plug assembly, M14	1
	G350	16-09		5000676	Screw, M16 x 130	4
	G400	16-09		147900	Screw, M10 x 45	2
	G450	16-09		9004800-3708	Dowel pin	2
	G550	16-09		11070150	Journal bearing	1
	G960	16-09		508438	Screw M6 x 12	2
	G970	16-09		4460311	Lifting bracket	1
	G980	16-09		11000229	Lubrication orifice	1



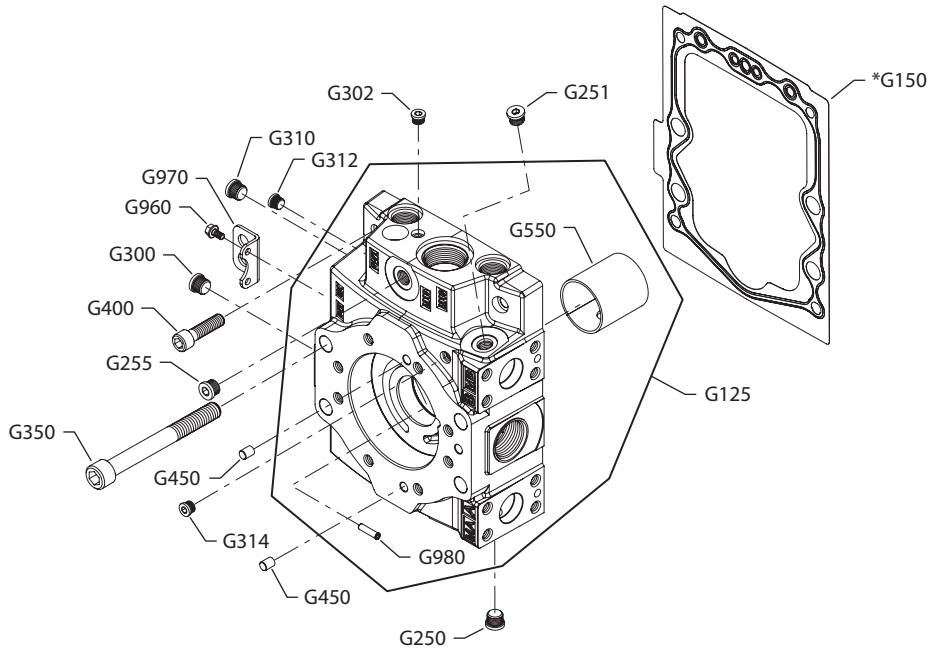
Variable displacement pump

(E8)

Design prior to 15-24



Design after 15-23



E100 997E

* = included in overhaul seal kit Q210



Variable displacement pump

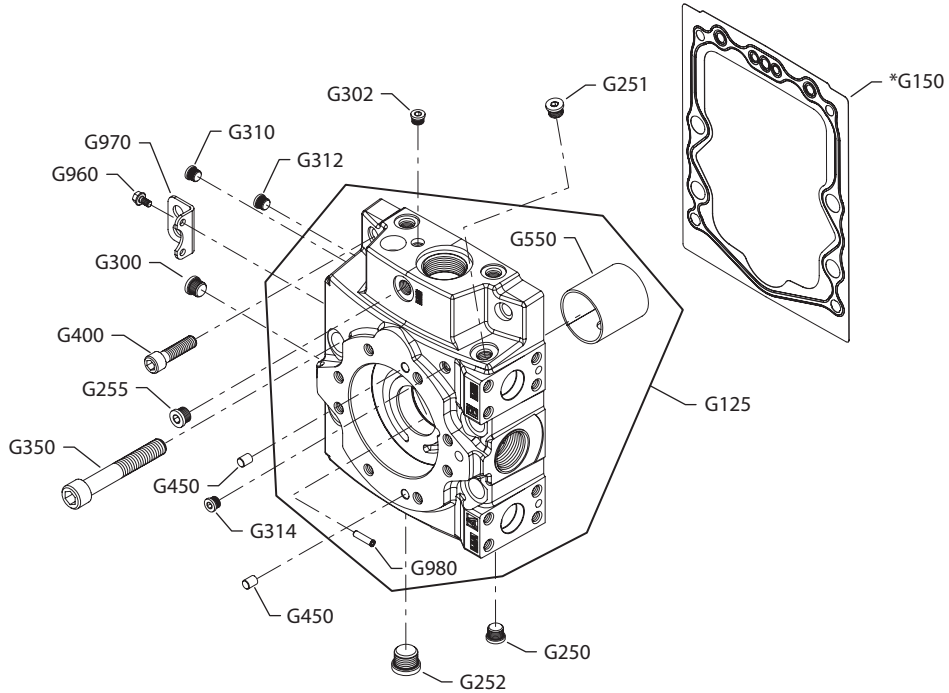
End cap

Order Code	Item	Date Begin	Date End	Part Number	Part Name	Qty. per Model/Kit
E8	G125	15-24		11003671	End cap assembly, CW	1
	G125	15-24		11003649	End cap assembly, CCW	1
	G150	08-10		11001894	End cap gasket	1
	G250	08-10		140644	Plug assembly	1
	G251	08-10		140644	Plug assembly	1
	G255	08-10		140644	Plug assembly	1
	G300	08-10		140644	Plug assembly	1
	G302	15-24		11040532	Plug assembly	1
	G310	15-24		140644	Plug assembly	1
	G310	08-10	15-23	11040532	Plug assembly	1
	G312	08-10		11040532	Plug assembly	1
	G314	08-10		11040532	Plug assembly	1
	G350	15-24		5000676	Screw, M16 x 130	4
	G350	08-10	15-23	519508	Screw, M16 x 100	4
	G400	08-10		147900	Screw, M10 x 45	2
	G450	08-10		9004800-3708	Dowel pin	2
	G550	08-10		11070150	Journal bearing	1
	G960	08-10		508438	Screw	2
	G970	08-10		4460311	Lifting bracket	1
	G980	08-10		11000229	Lubrication orifice	1

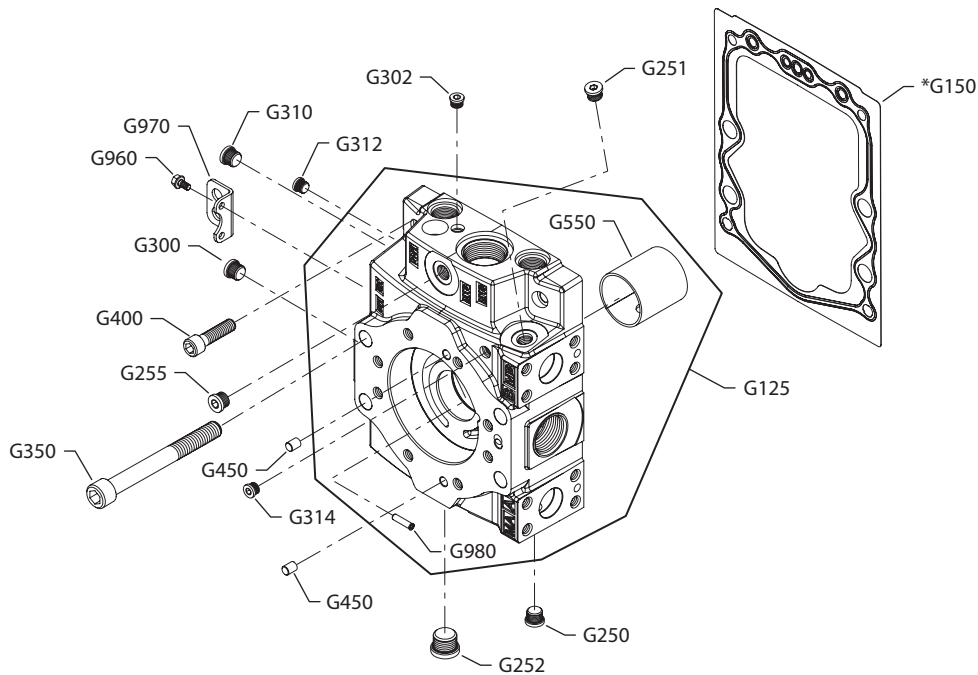


Variable displacement pump

(G3)
Design prior to 15-24



Design after 15-23



E101 961E

* = included in overhaul seal kit Q210



Variable displacement pump

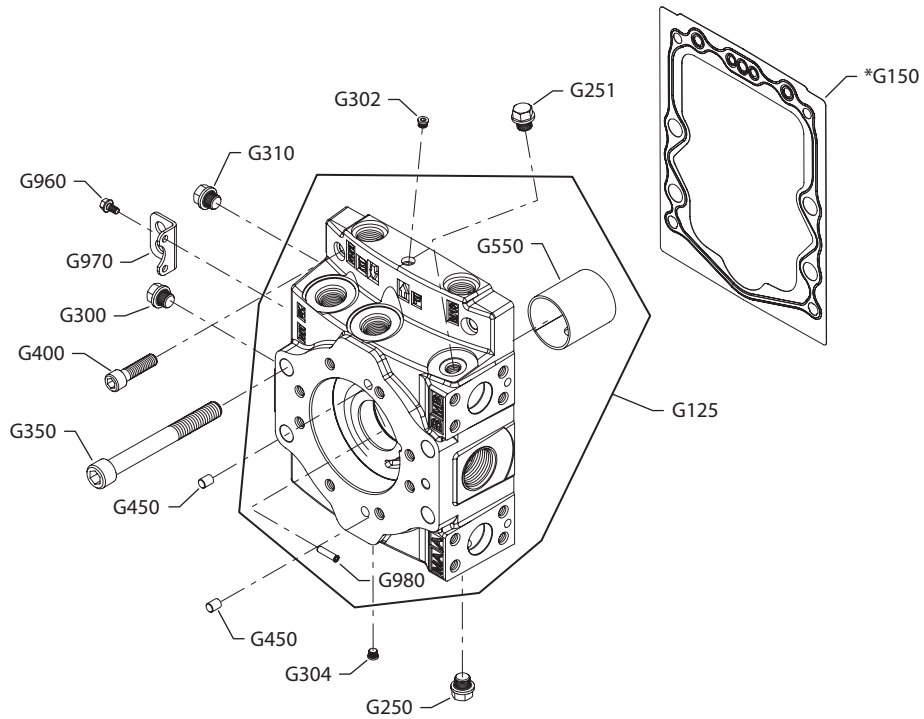
End cap

Order Code	Item	Date Begin	Date End	Part Number	Part Name	Qty. per Model/Kit
G3	G125	15-24		11089752	End cap assembly, CW	1
	G150	10-40		11001894	End cap gasket	1
	G250	10-40		140644	Plug assembly	1
	G251	10-40		140644	Plug assembly	1
	G252	10-40		315325 (9005110-8700)	Plug assembly	1
	G255	10-40		140644	Plug assembly	1
	G300	10-40		140644	Plug assembly	1
	G302	10-40		11040532	Plug assembly	1
	G310	15-24		140644	Plug assembly	1
	G310	10-40	15-23	11040532	Plug assembly	1
	G312	10-40		11040532	Plug assembly	1
	G314	10-40		11040532	Plug assembly	1
	G350	15-24		5000676	Screw, M16 x 130	4
	G350	10-40	15-23	519508	Screw, M16 x 100	4
	G400	10-40		147900	Screw, M10 x 45	2
	G450	10-40		9004800-3708	Dowel pin	2
	G550	10-40		11070150	Journal bearing	1
	G650	10-40		8800565	Lifting bracket	1
	G960	10-40		508438	Screw	2
	G970	10-40		4460311	Lifting bracket	1
	G980	10-40		11000229	Lubrication orifice	1

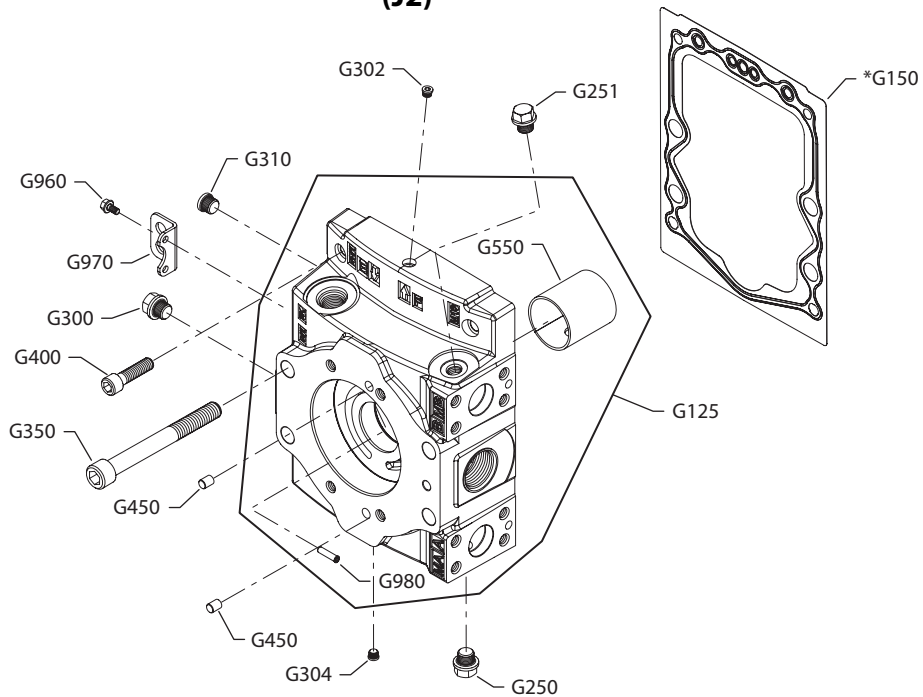


Variable displacement pump

(G9)



(J2)



E103 397E

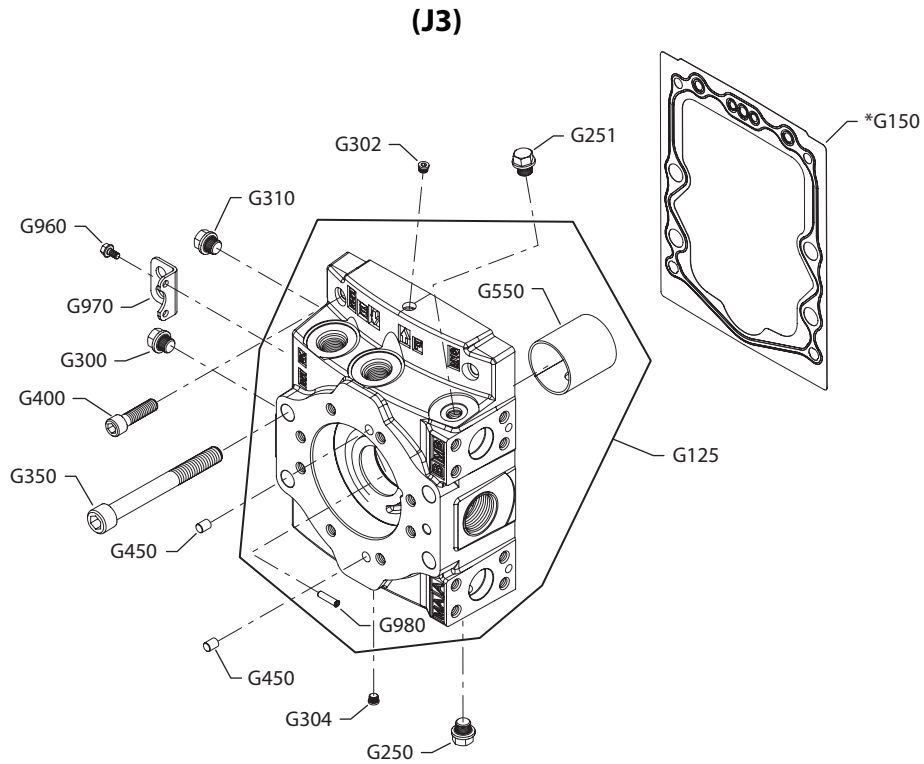
* = included in overhaul seal kit Q210


Variable displacement pump
End cap

Order Code	Item	Date Begin	Date End	Part Number	Part Name	Qty. per Model/Kit
G9	G125	15-12		11003669	End cap assembly, CW	1
	G150	15-12		11001894	End cap gasket	1
	G250	15-12		11147119	Plug assembly, special	1
	G251	15-12		11147119	Plug assembly, special	1
	G300	15-12		11147119	Plug assembly, special	1
	G302	15-12		11040532	Plug assembly	1
	G304	15-12		11040532	Plug assembly	1
	G310	15-12		11147119	Plug assembly, special	1
	G350	15-12		5000676	Screw, M16 x 130	4
	G400	15-12		147900	Screw, M10 x 45	2
	G450	15-12		9004800-3708	Dowel pin	2
	G550	15-12		11070150	Journal bearing	1
	G650	15-12		8800565	Lifting bracket	1
	G960	15-12		508438	Screw	2
	G970	15-12		4460311	Lifting bracket	1
	G980	15-12		11000229	Lubrication orifice	1
	J2	G125	14-12		11130755	End cap assembly, CW
G150		14-12		11001894	End cap gasket	1
G250		14-12		11147119	Plug assembly, special	1
G251		14-12		11147119	Plug assembly, special	1
G300		14-12		11147119	Plug assembly, special	1
G302		14-12		11040532	Plug assembly	1
G304		14-12		11040532	Plug assembly	1
G310		14-12		140644	Plug assembly	1
G350		14-12		5000676	Screw, M16 x 130	4
G400		14-12		147900	Screw, M10 x 45	2
G450		14-12		9004800-3708	Dowel pin	2
G550		14-12		11070150	Journal bearing	1
G650		14-12		8800565	Lifting bracket	1
G960		14-12		508438	Screw, M6 x 12	2
G961		14-12		508438	Screw, M6 x 12	2
G970		14-12		4460311	Lifting bracket	1
G971		14-12		4800754	Lifting bracket	2
G980	14-12		11000229	Lubrication orifice	1	



Variable displacement pump



E103 433E

* = included in overhaul seal kit Q210



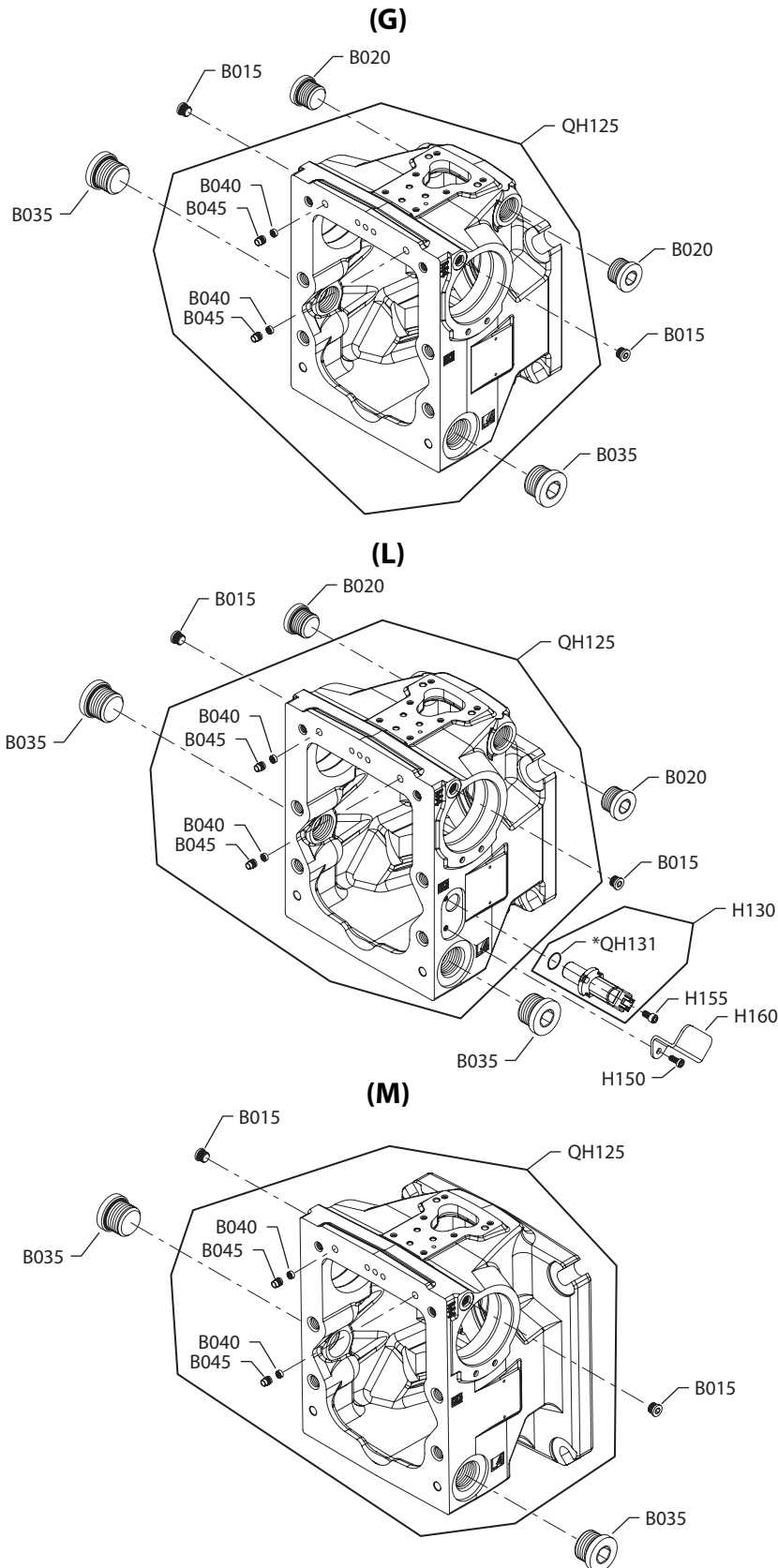
Variable displacement pump

End cap

Order Code	Item	Date Begin	Date End	Part Number	Part Name	Qty. per Model/Kit
J3	G125	15-23		11166551	End cap assembly, CW	1
	G150	15-23		11001894	End cap gasket	1
	G250	15-23		11147119	Plug assembly, special	1
	G251	15-23		11147119	Plug assembly, special	1
	G300	15-23		11147119	Plug assembly, special	1
	G302	15-23		11040532	Plug assembly	1
	G304	15-23		11040532	Plug assembly	1
	G310	15-23		11147119	Plug assembly, special	1
	G350	15-23		5000676	Screw, M16 x 130	4
	G400	15-23		147900	Screw, M10 x 45	2
	G450	15-23		9004800-3708	Dowel pin	2
	G550	15-23		11070150	Journal bearing	1
	G960	15-23		508438	Screw	2
	G970	15-23		4460311	Lifting bracket	1
	G980	15-23		11000229	Lubrication orifice	1



Variable displacement pump



E100 998E

* = included in overhaul seal kit Q210

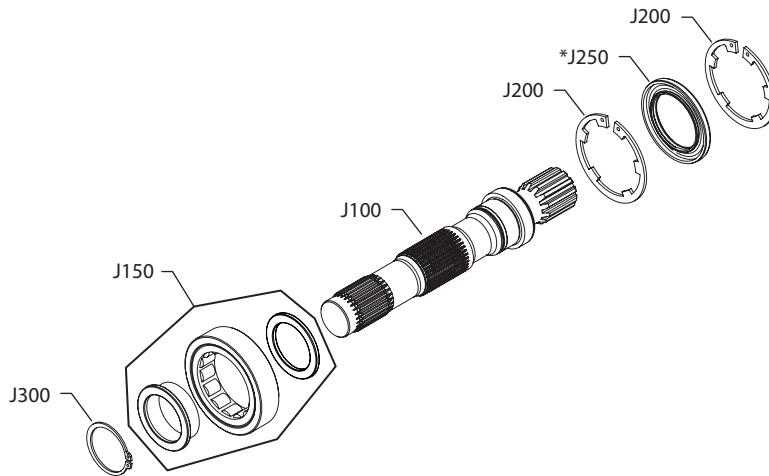

Variable displacement pump
Housing

Order Code	Item	Date Begin	Date End	Part Number	Part Name	Qty. per Model/Kit	
G	B015	08-10		140642	Plug assembly	2	
	B020	08-10		664524 (9005110-9000)	Plug assembly	2	
	B035	08-10		320002 (9005110-9200)	Plug assembly	2	
	B040	08-10		140967	Screen, 8 mm, 125 micron	2	
	B045	09-25		11062684	Screen retainer (SB-2009-068)	2	
	QH125	08-10		11005070	Housing assembly (SB-2009-068)	1	
	G (metric)	B015	16-09		5000572	Plug assembly, M12	2
B020		16-09		11178807	Plug assembly, M27	2	
B035		16-09		11164204	Plug assembly, M33	2	
B040		16-09		140967	Screen, 8 mm, 125 micron	2	
B045		16-09		11062684	Screen retainer	2	
QH125		16-09		11173134	Housing assembly	1	
L		B015	08-10		140642	Plug assembly	2
	B020	08-10		664524 (9005110-9000)	Plug assembly	2	
	B035	08-10		320002 (9005110-9200)	Plug assembly	2	
	B040	08-10		140967	Screen, 8 mm, 125 micron	2	
	B045	09-25		11062684	Screen retainer (SB-2009-068)	2	
	H130	08-10		149055	Speed sensor assembly	1	
	H150	08-10		508438	Screw, M6 x 12	1	
	H155	08-10		376749	Screw, M6 x 12	1	
	H160	08-10		11025029	Speed sensor protector	1	
	QH125	08-10		11030118	Housing assembly (SB-2009-068)	1	
	QH131	08-10		11013397	O-ring	1	
	M	B015	13-13		140642	Plug assembly	2
		B035	13-13		320002 (9005110-9200)	Plug assembly	2
		B040	13-13		140967	Screen, 8 mm, 125 micron	2
B045		13-13		11062684	Screen retainer	2	
QH125		13-13		11130855	Housing assembly	1	

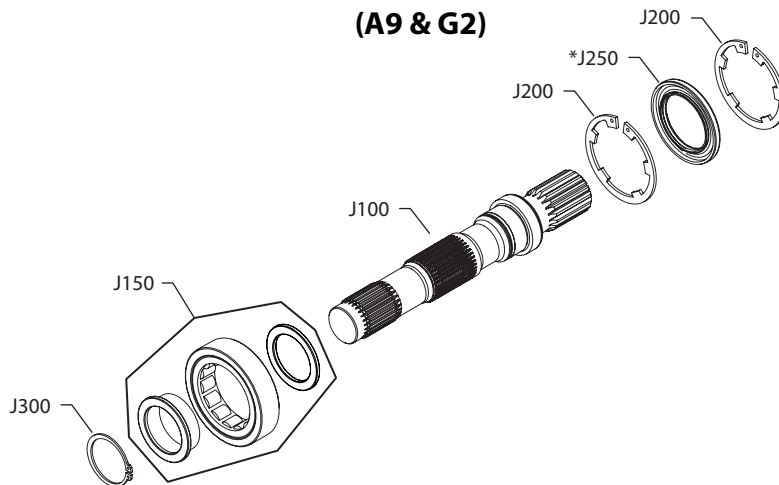


Variable displacement pump

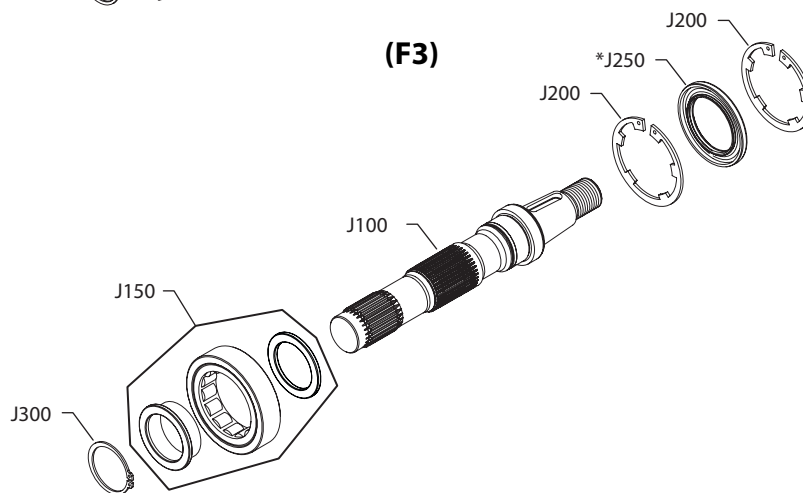
(A8 & G3)



(A9 & G2)



(F3)



E103 398E

* = included in overhaul seal kit Q210

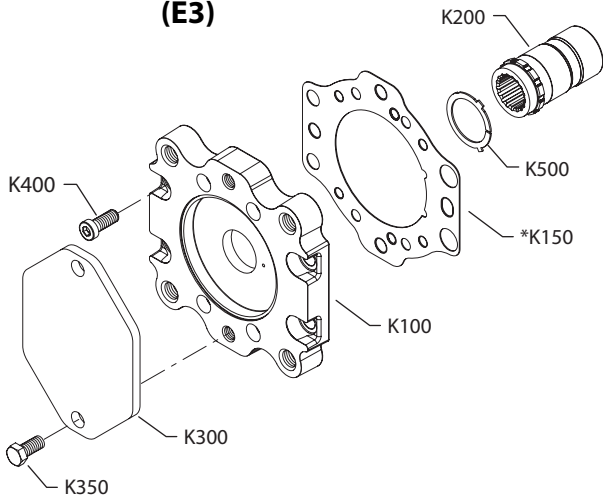

Variable displacement pump
Shaft

Order Code	Item	Date Begin	Date End	Part Number	Part Name	Qty. per Model/Kit
A8	J100	08-10		11119634	Shaft, 13 tooth spline	1
	J150	08-10		11045851	Roller bearing	1
	J200	08-10		140063	Retaining ring	2
	J250	08-10		11066133	Lip seal	1
	J300	08-10		392209	Retaining ring	1
A9	J100	08-10		11123698	Shaft, 27 tooth spline	1
	J150	08-10		11045851	Roller bearing	1
	J200	08-10		140063	Retaining ring	2
	J250	08-10		11066133	Lip seal	1
	J300	08-10		392209	Retaining ring	1
B1	J100	08-10		11170708	Shaft, 18 tooth spline	1
	J150	08-10		11045851	Roller bearing	1
	J200	08-10		140063	Retaining ring	2
	J250	08-10		11024711	Lip seal	1
	J300	08-10		392209	Retaining ring	1
F3	J100	08-10		11119637	Shaft, tapered (SB-2012-026)	1
	J150	08-10		11045851	Roller bearing	1
	J200	08-10		140063	Retaining ring	2
	J250	08-10		11024711	Lip seal	1
	J300	08-10		392209	Retaining ring	1
G2	J100	08-10		11123698	Shaft, 27 tooth spline (SB-2012-026)	1
	J150	08-10		11045851	Roller bearing	1
	J200	08-10		140063	Retaining ring	2
	J250	08-10		11024711	Lip seal	1
	J300	08-10		392209	Retaining ring	1
G3	J100	08-10		11119634	Shaft, 13 tooth spline (SB-2012-026)	1
	J150	08-10		11045851	Roller bearing	1
	J200	08-10		140063	Retaining ring	2
	J250	08-10		11024711	Lip seal	1
	J300	08-10		392209	Retaining ring	1

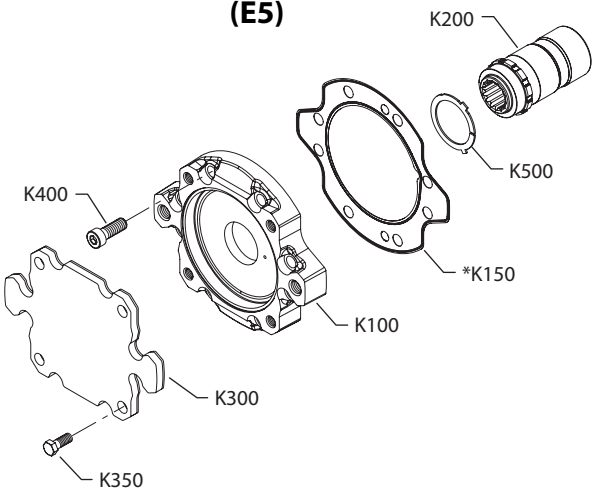


Variable displacement pump

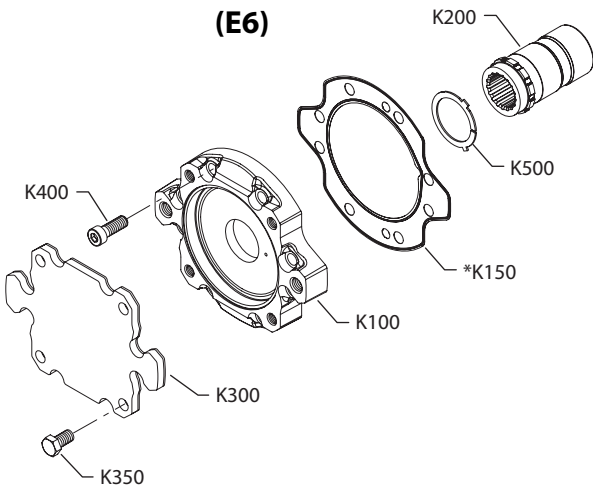
(E3)



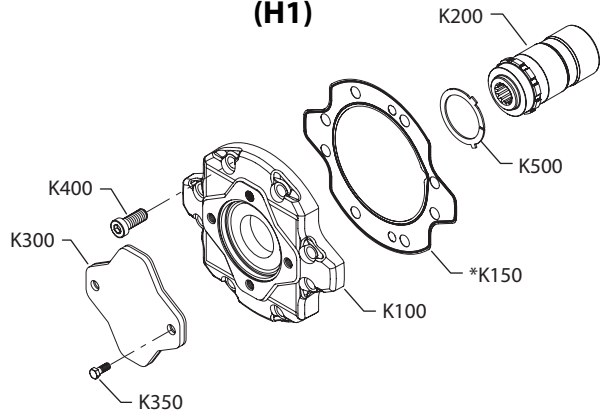
(E5)



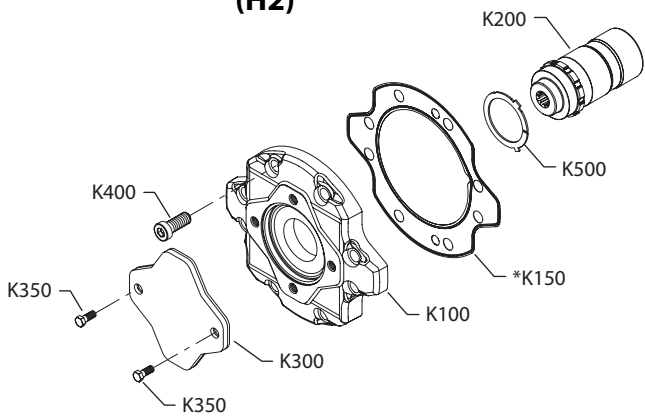
(E6)



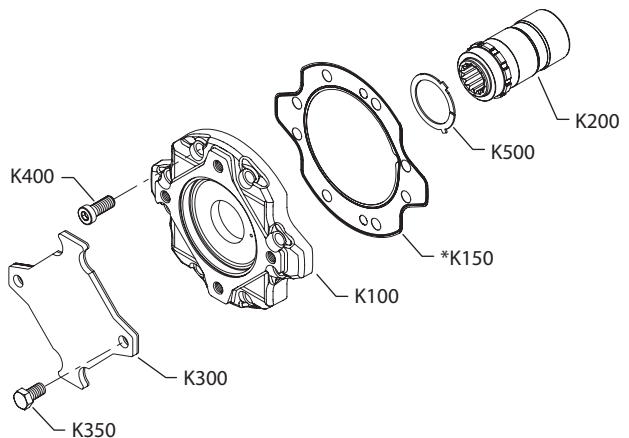
(H1)



(H2)



(H3)



E100 999E

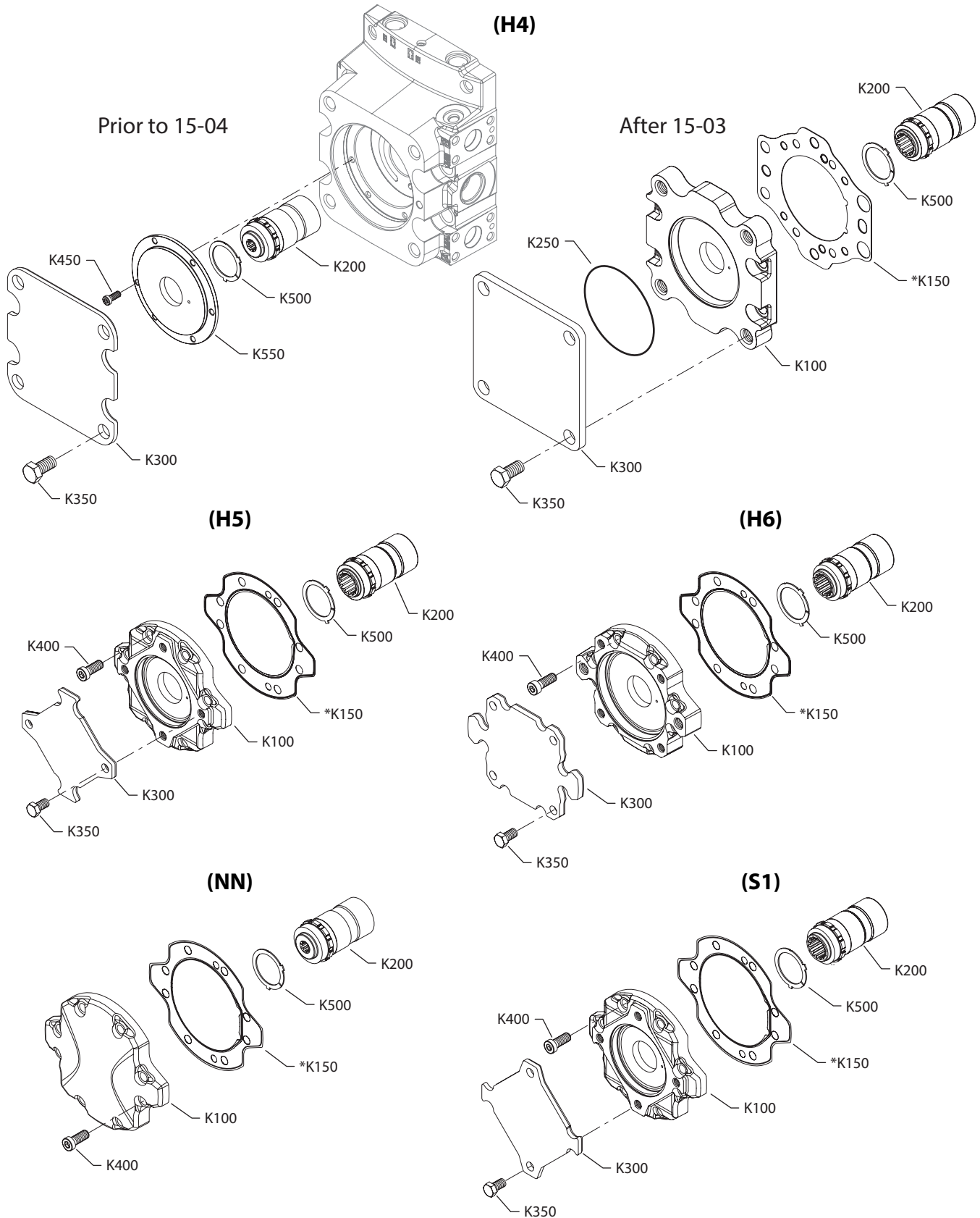
* = included in overhaul seal kit Q210


Variable displacement pump
Auxiliary mounting

Order Code	Item	Date Begin	Date End	Part Number	Part Name	Qty. per Model/Kit
E3	K100	13-13		11130751	Adapter flange, SAE D	1
	K150	13-13		11125012	Adapter seal	1
	K200	13-13		11129807	Charge pump shaft	1
	K300	13-13		11161835	Flange cover	1
	K350	13-13		11167542	Screw, M16 x 30	2
	K400	13-13		140700	Screw, M12 x 30	4
	K500	13-13		11001182	Thrust washer	1
E5	K100	13-39		11002193	Adapter flange, SAE C	1
	K150	13-39		11002236	Adapter seal	1
	K200	13-39		11045667	Charge pump shaft	1
	K300	13-39		11023748	Flange cover	1
	K350	13-39		509528	Screw, M12 x 20	4
	K400	13-39		11071462	Screw, M12 x 35	8
	K500	13-39		11001182	Thrust washer	1
E6	K100	13-39		11002193	Adapter flange, SAE C	1
	K150	13-39		11002236	Adapter seal	1
	K200	13-39		11129807	Charge pump shaft	1
	K300	13-39		11023748	Flange cover	1
	K350	13-39		509528	Screw, M12 x 20	2
	K400	13-39		11071462	Screw, M12 x 35	8
	K500	13-39		11001182	Thrust washer	1
H1	K100	08-10		11002191	Adapter flange, SAE A	1
	K150	08-10		11002236	Adapter seal	1
	K200	10-36		110064258	Charge pump shaft, 11 tooth (SB-2011-022)	1
	K200	08-10	10-35	11002333	Charge pump shaft, 11 tooth	1
	K300	08-10		11017125	Flange cover	1
	K350	08-10		370247	Screw, M10 x 20	2
	K400	08-10		140700	Screw, M12 x 30	8
	K500	08-10		11001182	Thrust washer	1
	H2	K100	08-10		11002191	Adapter flange, SAE A
K150		08-10		11002236	Adapter seal	1
K200		10-36		11064260	Charge pump shaft, 9 tooth (SB-2011-022)	1
K200		08-10	10-35	11002231	Charge pump shaft, 9 tooth	1
K300		08-10		11017125	Flange cover	1
K350		08-10		370247	Screw, M10 x 20	2
K400		08-10		140700	Screw, M12 x 30	8
K500		08-10		11001182	Thrust washer	1
H3		K100	08-10		11002192	Adapter flange, SAE B
	K150	08-10		11002236	Adapter seal	1
	K200	10-36		11064272	Charge pump shaft, 13 tooth (SB-2011-022)	1
	K200	08-10	10-35	11002232	Charge pump shaft, 13 tooth	1
	K300	08-10		11023747	Flange cover	1
	K350	13-39		509528	Screw, M12 x 20	2
	K400	08-10		140700	Screw, M12 x 30	8
	K500	08-10		11001182	Thrust washer	1



Variable displacement pump



E101 595E

* = included in overhaul seal kit Q210

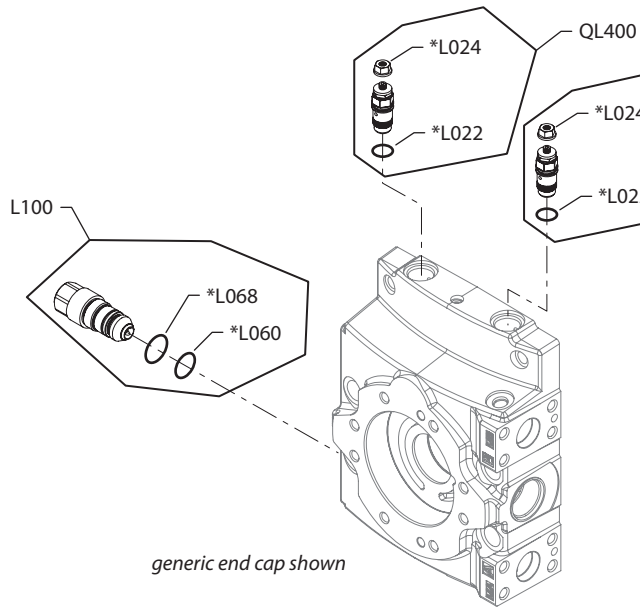

Variable displacement pump
Auxiliary mounting

Order Code	Item	Date Begin	Date End	Part Number	Part Name	Qty. per Model/Kit
H4	K100	15-04		11109108	Adapter (SB-2016-005)	1
	K150	15-04		11125012	Adapter seal (SB-2016-005)	1
	K200	10-36		11045667	Charge pump shaft, 13 tooth, (SB-2011-022)	1
	K200	08-10	10-35	11002234	Charge pump shaft, 13 tooth	1
	K250	15-04		726927	O-ring (SB-2016-005)	1
	K300	15-04		338400	Flange cover (SB-2016-005)	1
	K300	08-10	15-03	11023751	Flange cover	1
	K350	08-10		11024165	Screw, M20 x 30	4
	K450	08-10	15-03	11001141	Screw (SB-2016-005)	6
	K500	08-10		11001182	Thrust washer	1
	K550	08-10	15-03	11158373	Charge pump cover (SB-2016-005)	1
	H5	K100	08-10		11002192	Adapter flange, SAE B
K150		08-10		11002236	Adapter seal	1
K200		10-36		11064275	Charge pump shaft, 15 tooth, (SB-2011-022)	1
K200		08-10	10-35	11002235	Charge pump shaft, 15 tooth	1
K300		08-10		11023747	Flange cover	1
K350		08-10		509528	Screw	4
K400		08-10		140700	Screw	8
K500		08-10		11001182	Thrust washer	1
H6	K100	08-10		11002193	Adapter flange, SAE C	1
	K150	08-10		11002236	Adapter seal	1
	K200	10-36		11064276	Charge pump shaft, 14 tooth (SB-2011-022)	1
	K200	08-10	10-35	11002233	Charge pump shaft, 14 tooth	1
	K300	08-10		11023748	Flange cover	1
	K350	08-10		509528	Screw	4
	K400	08-10		11071462	Screw	8
	K500	08-10		11001182	Thrust washer	1
NN	K100	08-10		11002194	Adapter flange, no pad	1
	K150	08-10		11002236	Adapter seal	1
	K200	10-36		11064260	Charge pump shaft, 9 tooth (SB-2011-022)	1
	K200	08-10	10-35	11002231	Charge pump shaft, 9 tooth	1
	K400	08-10		140700	Screw	8
	K500	08-10		11001182	Thrust washer	1
S1	K100	08-10		11002192	Adapter flange, SAE B	1
	K150	08-10		11002236	Adapter seal	1
	K200	10-36		11064276	Charge pump shaft, 14 tooth (SB-2011-022)	1
	K200	08-10	10-35	11002233	Charge pump shaft, 14 tooth	1
	K300	08-10		11023747	Flange cover	1
	K350	08-10		509528	Screw	2
	K400	08-10		140700	Screw	8
	K500	08-10		11001182	Thrust washer	1



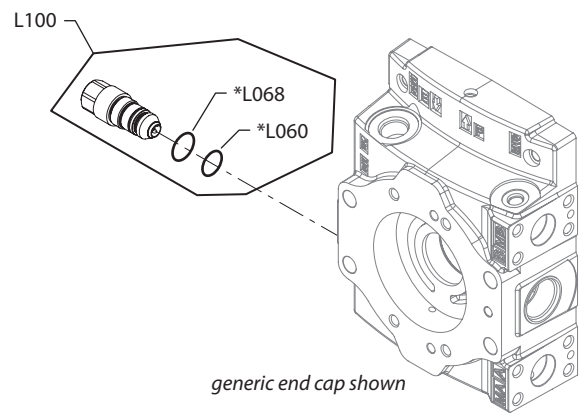
Variable displacement pump

(F01 - F04)



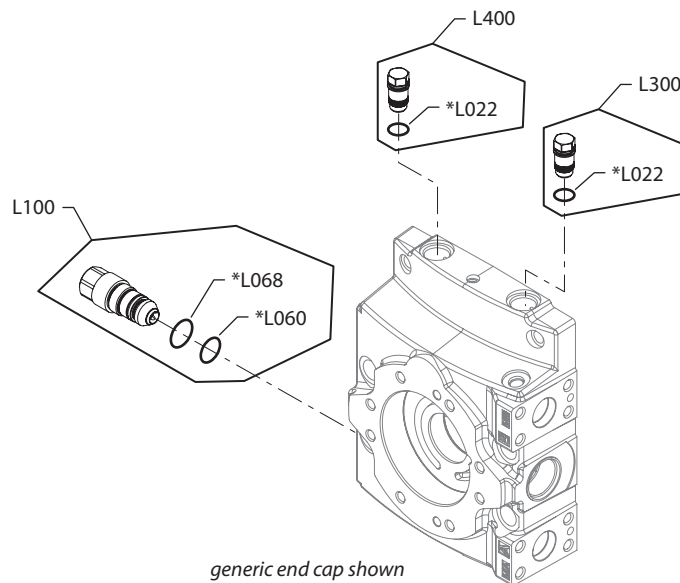
generic end cap shown

(J44 & J45)



generic end cap shown

(K20 - K33)



generic end cap shown

E101 904E

* = included in overhaul seal kit Q210


Variable displacement pump
High pressure setting, port A

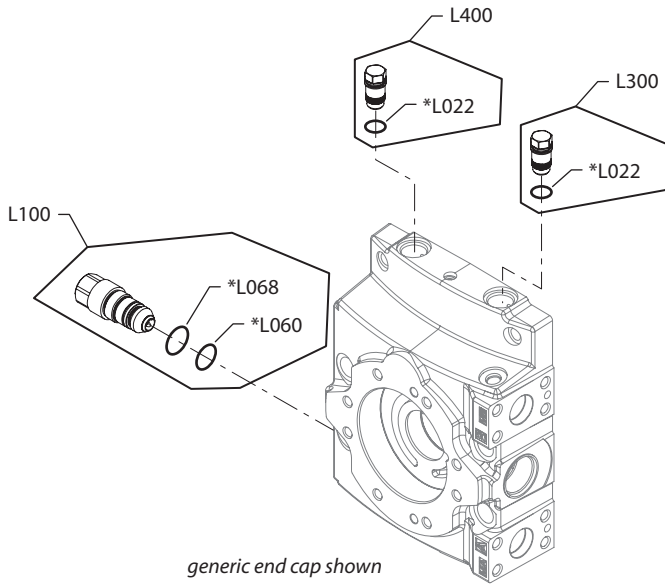
Order Code	Item	Date Begin	Date End	Part Number	Part Name	Qty. per Model/Kit
all	L022	08-10		504207	O-ring	1
	L060	08-10		365023	O-ring	1
	L068	08-10		11052201	O-ring	1
F01	L024	13-14		336826	Seal nut	1
	L100	13-14		11049147	High pressure relief valve, 250 bar	1
	QL300	13-14		11004709	Pressure limiter kit, adjustable, CCW rotation pump	1
	QL400	13-14		11004709	Pressure limiter kit, adjustable, CW rotation pump	1
F02	L024	13-14		336826	Seal nut	1
	L100	13-14		11049149	High pressure relief valve, 300 bar	1
	QL300	13-14		11004709	Pressure limiter kit, adjustable, CCW rotation pump	1
	QL400	13-14		11004709	Pressure limiter kit, adjustable, CW rotation pump	1
F03	L024	13-14		336826	Seal nut	1
	L100	13-14		11049151	High pressure relief valve, 350 bar	1
	QL300	13-14		11004709	Pressure limiter kit, adjustable, CCW rotation pump	1
	QL400	13-14		11004709	Pressure limiter kit, adjustable, CW rotation pump	1
F04	L024	13-14		336826	Seal nut	1
	L100	13-14		11049153	High pressure relief valve, 400 bar	1
	QL300	13-14		11004709	Pressure limiter kit, adjustable, CCW rotation pump	1
	QL400	13-14		11004709	Pressure limiter kit, adjustable, CW rotation pump	1
J44	L100	14-02		11116160	High pressure relief valve, 440 bar	1
J45	L100	14-02		11049155	High pressure relief valve, 450 bar	1
K20	L100	08-10		11049144	High pressure relief valve, 200 bar	1
	L300	08-10		11002302	Pressure limiter plug assembly, CCW rotation pump	1
	L400	08-10		11002302	Pressure limiter plug assembly, CW rotation pump	1
K23	L100	08-10		11049146	High pressure relief valve, 230 bar	1
	L300	08-10		11002302	Pressure limiter plug assembly, CCW rotation pump	1
	L400	08-10		11002302	Pressure limiter plug assembly, CW rotation pump	1
K25	L100	08-10		11049147	High pressure relief valve, 250 bar	1
	L300	08-10		11002302	Pressure limiter plug assembly, CCW rotation pump	1
	L400	08-10		11002302	Pressure limiter plug assembly, CW rotation pump	1
K28	L100	08-10		11049148	High pressure relief valve, 280 bar	1
	L300	08-10		11002302	Pressure limiter plug assembly, CCW rotation pump	1
	L400	08-10		11002302	Pressure limiter plug assembly, CW rotation pump	1
K30	L100	08-10		11049149	High pressure relief valve, 300 bar	1
	L300	08-10		11002302	Pressure limiter plug assembly, CCW rotation pump	1
	L400	08-10		11002302	Pressure limiter plug assembly, CW rotation pump	1
K33	L100	08-10		11049150	High pressure relief valve, 330 bar	1
	L300	08-10		11002302	Pressure limiter plug assembly, CCW rotation pump	1
	L400	08-10		11002302	Pressure limiter plug assembly, CW rotation pump	1



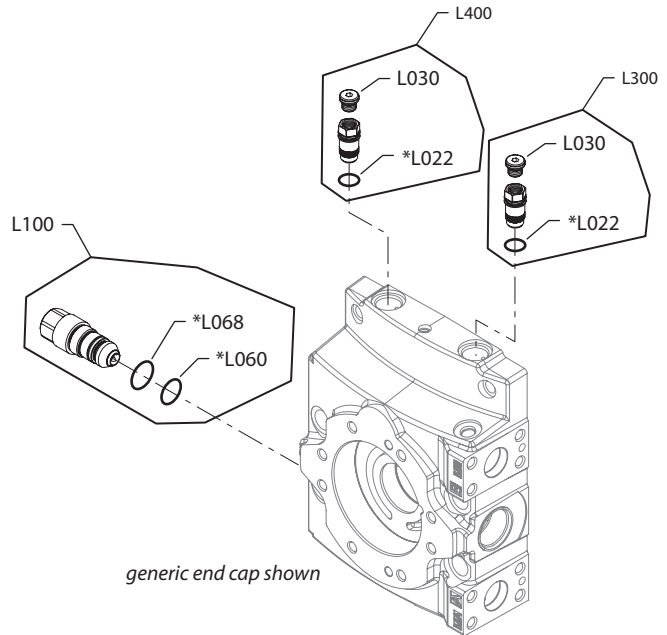
Variable displacement pump

(K35 -K46)

(KDC -KWY)

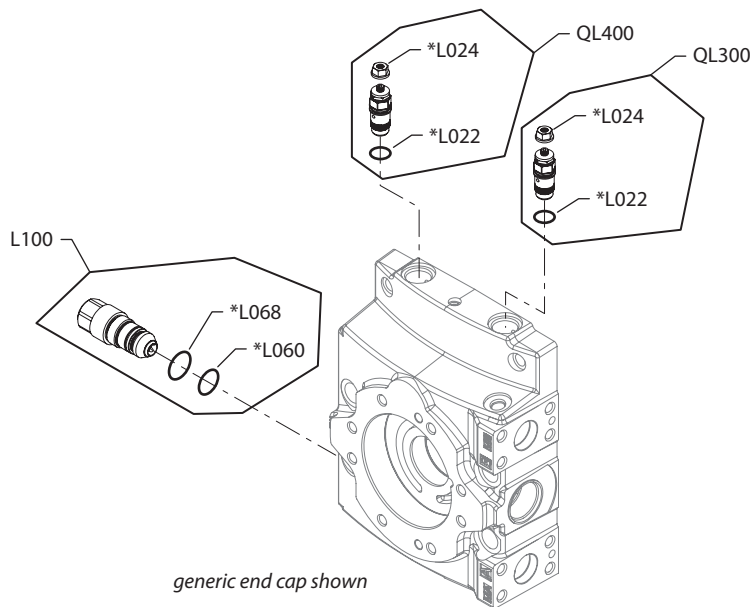


generic end cap shown



generic end cap shown

(L15 -L20)



generic end cap shown

E101 905E

* = included in overhaul seal kit Q210

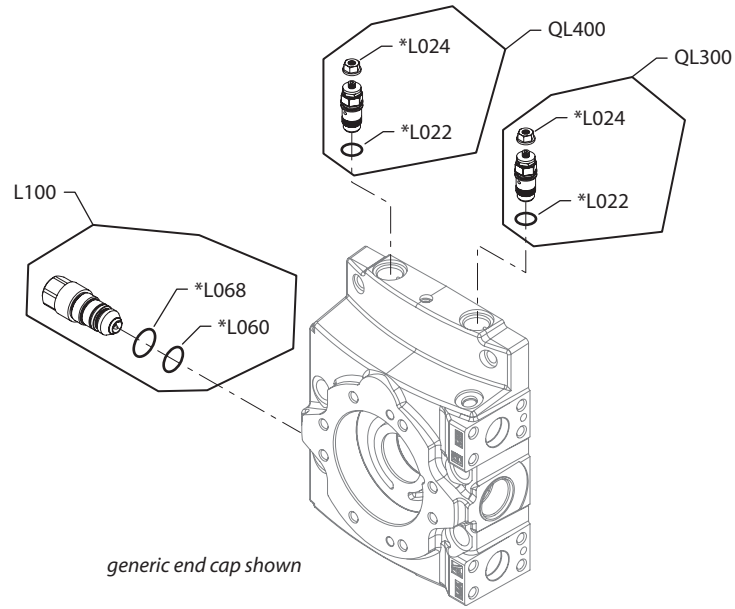

Variable displacement pump
High pressure setting, port A

Order Code	Item	Date Begin	Date End	Part Number	Part Name	Qty. per Model/Kit
all	L022	08-10		504207	O-ring	1
	L060	08-10		365023	O-ring	1
	L068	08-10		11052201	O-ring	1
K35	L100	08-10		11049151	High pressure relief valve, 350 bar	1
	L300	08-10		11002302	Pressure limiter plug assembly, CCW rotation pump	1
	L400	08-10		11002302	Pressure limiter plug assembly, CW rotation pump	1
K38	L100	08-10		11049152	High pressure relief valve, 380 bar	1
	L300	08-10		11002302	Pressure limiter plug assembly, CCW rotation pump	1
	L400	08-10		11002302	Pressure limiter plug assembly, CW rotation pump	1
K40	L100	08-10		11049153	High pressure relief valve, 400 bar	1
	L300	08-10		11002302	Pressure limiter plug assembly, CCW rotation pump	1
	L400	08-10		11002302	Pressure limiter plug assembly, CW rotation pump	1
K42	L100	08-10		11049154	High pressure relief valve, 420 bar	1
	L300	08-10		11002302	Pressure limiter plug assembly, CCW rotation pump	1
	L400	08-10		11002302	Pressure limiter plug assembly, CW rotation pump	1
K45	L100	08-10		11049155	High pressure relief valve, 450 bar	1
	L300	08-10		11002302	Pressure limiter plug assembly, CCW rotation pump	1
	L400	08-10		11002302	Pressure limiter plug assembly, CW rotation pump	1
K46	L100	08-10		11106573	High pressure relief valve, 460 bar	1
	L300	08-10		11002302	Pressure limiter plug assembly, CCW rotation pump	1
	L400	08-10		11002302	Pressure limiter plug assembly, CW rotation pump	1
KDC	L030	08-10		513443	Plug assembly	1
	L100	08-10		11069762	High pressure relief valve, 430 bar	1
	L300	08-10		11035112	Pressure sensor adapter assembly, CCW rotation pump	1
	L400	08-10		11035112	Pressure sensor adapter assembly, CW rotation pump	1
KWY	L030	08-10		513443	Plug assembly	1
	L100	08-10		11049155	High pressure relief valve, 450 bar	1
	L300	08-10		11035112	Pressure sensor adapter assembly, CCW rotation pump	1
	L400	08-10		11035112	Pressure sensor adapter assembly, CW rotation pump	1
L15	L024	08-10		336826	Seal nut	1
	L100	08-10		11049144	High pressure relief valve, 200 bar	1
	QL300	08-10		11119002	Pressure limiter kit, adjustable, CCW rotation pump	1
	QL400	08-10		11119002	Pressure limiter kit, adjustable, CW rotation pump	1
L20	L024	08-10		336826	Seal nut	1
	L100	08-10		11049147	High pressure relief valve, 250 bar	1
	QL300	08-10		11004709	Pressure limiter kit, adjustable, CCW rotation pump	1
	QL400	08-10		11004709	Pressure limiter kit, adjustable, CW rotation pump	1



Variable displacement pump

(L23 -L43)



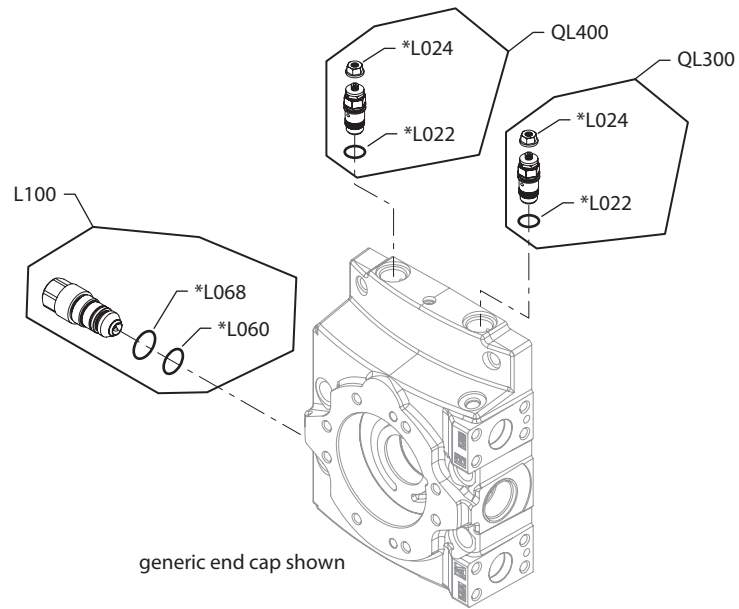

Variable displacement pump
High pressure setting, port A

Order Code	Item	Date Begin	Date End	Part Number	Part Name	Qty. per Model/Kit
all	L022	08-10		504207	O-ring	1
	L024	08-10		336826	Seal nut	1
	L060	08-10		365023	O-ring	1
	L068	08-10		11052201	O-ring	1
L23	L100	08-10		11049148	High pressure relief valve, 280 bar	1
	QL300	08-10		11004709	Pressure limiter kit, adjustable, CCW rotation pump	1
	QL400	08-10		11004709	Pressure limiter kit, adjustable, CW rotation pump	1
L25	L100	08-10		11049149	High pressure relief valve, 300 bar	1
	QL300	08-10		11004709	Pressure limiter kit, adjustable, CCW rotation pump	1
	QL400	08-10		11004709	Pressure limiter kit, adjustable, CW rotation pump	1
L28	L100	08-10		11049150	High pressure relief valve, 330 bar	1
	QL300	08-10		11004709	Pressure limiter kit, adjustable, CCW rotation pump	1
	QL400	08-10		11004709	Pressure limiter kit, adjustable, CW rotation pump	1
L30	L100	08-10		11049151	High pressure relief valve, 350 bar	1
	QL300	08-10		11004709	Pressure limiter kit, adjustable, CCW rotation pump	1
	QL400	08-10		11004709	Pressure limiter kit, adjustable, CW rotation pump	1
L33	L100	08-10		11049152	High pressure relief valve, 380 bar	1
	QL300	08-10		11004709	Pressure limiter kit, adjustable, CCW rotation pump	1
	QL400	08-10		11004709	Pressure limiter kit, adjustable, CW rotation pump	1
L35	L100	08-10		11049153	High pressure relief valve, 400 bar	1
	QL300	08-10		11004709	Pressure limiter kit, adjustable, CCW rotation pump	1
	QL400	08-10		11004709	Pressure limiter kit, adjustable, CW rotation pump	1
L38	L100	08-10		11049154	High pressure relief valve, 420 bar	1
	QL300	08-10		11004709	Pressure limiter kit, adjustable, CCW rotation pump	1
	QL400	08-10		11004709	Pressure limiter kit, adjustable, CW rotation pump	1
L40	L100	08-10		11049155	High pressure relief valve, 450 bar	1
	QL300	08-10		11004709	Pressure limiter kit, adjustable, CCW rotation pump	1
	QL400	08-10		11004709	Pressure limiter kit, adjustable, CW rotation pump	1
L41	L100	08-10		11049155	High pressure relief valve, 450 bar	1
	QL300	08-10		11004709	Pressure limiter kit, adjustable, CCW rotation pump	1
	QL400	08-10		11004709	Pressure limiter kit, adjustable, CW rotation pump	1
L42	L100	08-10		11049155	High pressure relief valve, 450 bar	1
	QL300	08-10		11004709	Pressure limiter kit, adjustable, CCW rotation pump	1
	QL400	08-10		11004709	Pressure limiter kit, adjustable, CW rotation pump	1
L43	L100	08-10		11049156	High pressure relief valve, 480 bar	1
	QL300	08-10		11004709	Pressure limiter kit, adjustable, CCW rotation pump	1
	QL400	08-10		11004709	Pressure limiter kit, adjustable, CW rotation pump	1

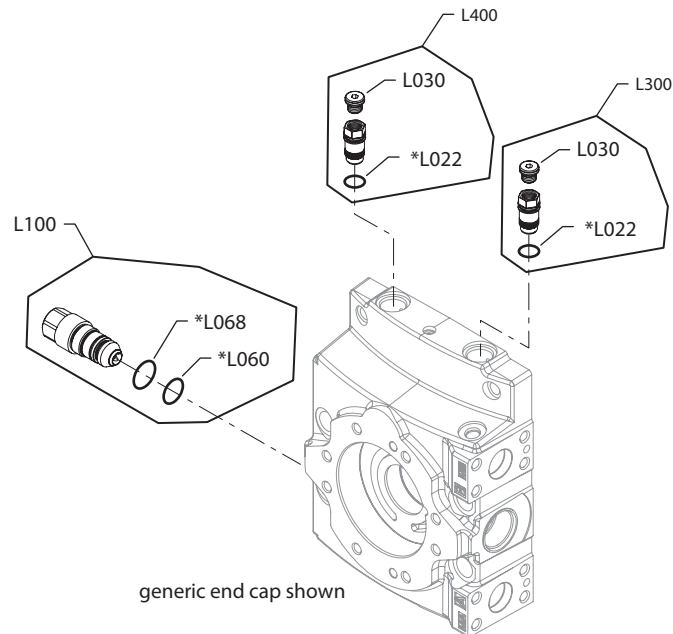


Variable displacement pump

(L44 - L48, L4G & LED)



(S42 - S45)



E101 907E

* = included in overhaul seal kit Q210

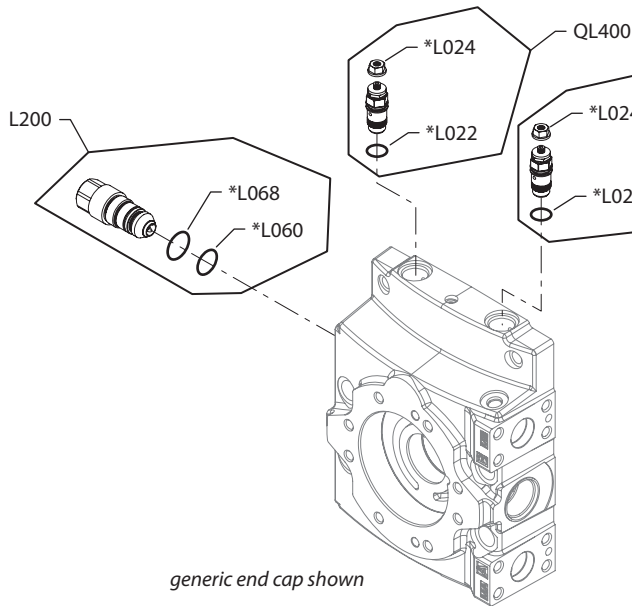

Variable displacement pump
High pressure setting, port A

Order Code	Item	Date Begin	Date End	Part Number	Part Name	Qty. per Model/Kit
all	L022	08-10		504207	O-ring	1
	L060	08-10		365023	O-ring	1
	L068	08-10		11052201	O-ring	1
L44	L024	08-10		336826	Seal nut	1
	L100	08-10		11049156	High pressure relief valve, 480 bar	1
	QL300	08-10		11004709	Pressure limiter, adjustable,CCW rotation pump	1
	QL400	08-10		11004709	Pressure limiter, adjustable, CW rotation pump	1
L45 & L4G	L024	08-10		336826	Seal nut	1
	L100	08-10		11049156	High pressure relief valve, 480 bar	1
	QL300	08-10		11004709	Pressure limiter, adjustable,CCW rotation pump	1
	QL400	08-10		11004709	Pressure limiter, adjustable, CW rotation pump	1
L46	L024	08-10		336826	Seal nut	1
	L100	08-10		11049157	High pressure relief valve, 510 bar	1
	QL300	08-10		11004709	Pressure limiter, adjustable, CCW rotation pump	1
	QL400	08-10		11004709	Pressure limiter, adjustable, CW rotation pump	1
L47	L024	08-10		336826	Seal nut	1
	L100	08-10		11049157	High pressure relief valve, 510 bar	1
	QL300	08-10		11004709	Pressure limiter, adjustable, CCW rotation pump	1
	QL400	08-10		11004709	Pressure limiter, adjustable, CW rotation pump	1
L48	L024	08-10		336826	Seal nut	1
	L100	08-10		11049157	High pressure relief valve, 510 bar	1
	QL300	08-10		11004709	Pressure limiter, adjustable, CCW rotation pump	1
	QL400	08-10		11004709	Pressure limiter, adjustable, CW rotation pump	1
LED	L024	08-10		336826	Seal nut	1
	L100	08-10		11106573	High pressure relief valve, 460 bar	1
	QL300	08-10		11004709	Pressure limiter, adjustable,CCW rotation pump	1
	QL400	08-10		11004709	Pressure limiter, adjustable, CW rotation pump	1
S42	L030	12-04		140644	Plug assembly	1
	L100	12-04		11049154	High pressure relief valve, 420 bar	1
	L300	12-02		11085422	Pressure sensor adapter, CCW rotation pump	1
	L400	12-04		11085422	Pressure sensor adapter, CW rotation pump	1
S44	L030	12-02		140644	Plug assembly	1
	L100	12-02		11116160	High pressure relief valve, 440 bar	1
	L300	12-02		11085422	Pressure sensor adapter, CCW rotation pump	1
	L400	12-02		11085422	Pressure sensor adapter, CW rotation pump	1
S45	L030	12-22		140644	Plug assembly	1
	L100	12-22		11049155	High pressure relief valve, 450 bar	1
	L300	12-22		11085422	Pressure sensor adapter, CCW rotation pump	1
	L400	12-22		11085422	Pressure sensor adapter, CW rotation pump	1

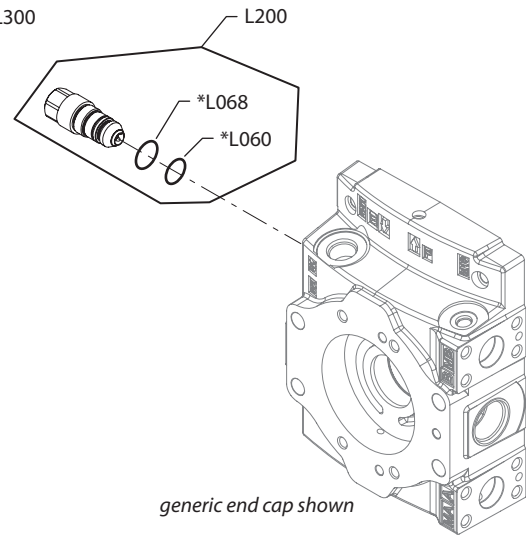


Variable displacement pump

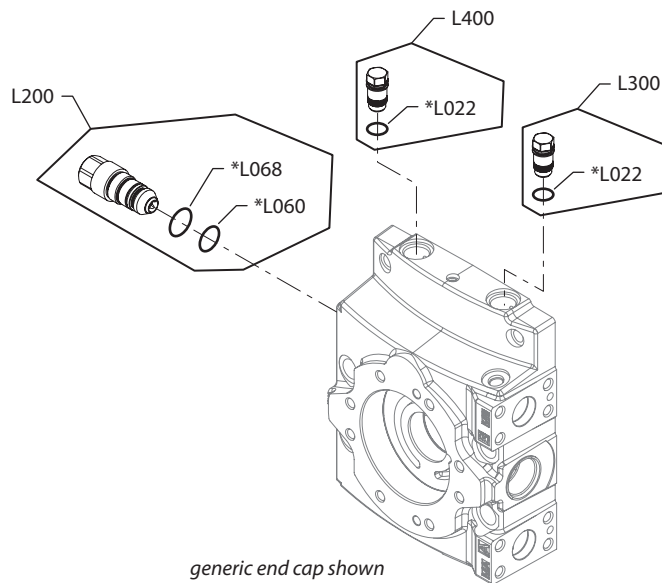
(F01 - F04)



(J44 & J45)



(K20 - K28)



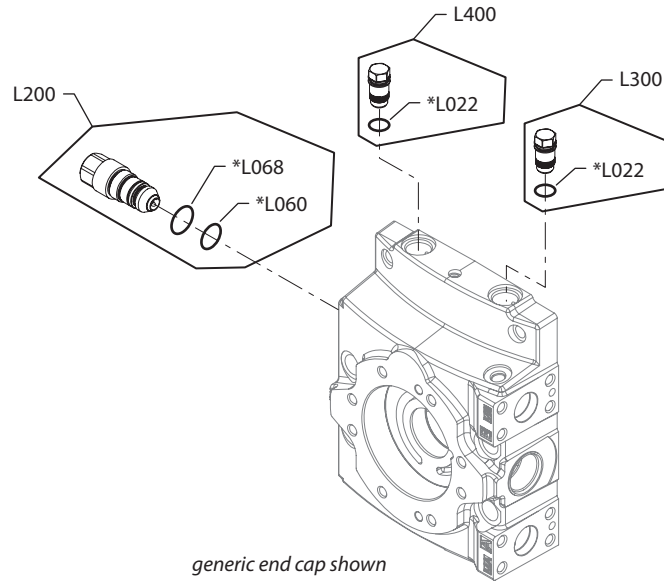

Variable displacement pump
High pressure setting, port B

Order Code	Item	Date Begin	Date End	Part Number	Part Name	Qty. per Model/Kit
all	L060	08-10		365023	O-ring	1
	L068	08-10		11052201	O-ring	1
F01	L022	08-10		504207	O-ring	1
	L024	13-14		336826	Seal nut	1
	L200	13-14		11049147	High pressure relief valve, 250 bar	1
	QL300	13-14		11004709	Pressure limiter kit, adjustable, CW rotation pump	1
	QL400	13-14		11004709	Pressure limiter kit, adjustable, CCW rotation pump	1
F02	L022	08-10		504207	O-ring	1
	L024	13-14		336826	Seal nut	1
	L200	13-14		11049149	High pressure relief valve, 300 bar	1
	QL300	13-14		11004709	Pressure limiter kit, adjustable, CW rotation pump	1
	QL400	13-14		11004709	Pressure limiter kit, adjustable, CCW rotation pump	1
F03	L022	08-10		504207	O-ring	1
	L024	13-14		336826	Seal nut	1
	L200	13-14		11049151	High pressure relief valve, 350 bar	1
	QL300	13-14		11004709	Pressure limiter kit, adjustable, CW rotation pump	1
	QL400	13-14		11004709	Pressure limiter kit, adjustable, CCW rotation pump	1
F04	L022	08-10		504207	O-ring	1
	L024	13-14		336826	Seal nut	1
	L200	13-14		11049153	High pressure relief valve, 400 bar	1
	QL300	13-14		11004709	Pressure limiter kit, adjustable, CW rotation pump	1
	QL400	13-14		11004709	Pressure limiter kit, adjustable, CCW rotation pump	1
J44	L200	14-02		11116160	High pressure relief valve, 440 bar	1
J45	L200	14-02		11049155	High pressure relief valve, 450 bar	1
K20	L022	08-10		504207	O-ring	1
	L200	08-10		11049144	High pressure relief valve, 200 bar	1
	L300	08-10		11002302	Pressure limiter plug assembly, CW rotation pump	1
	L400	08-10		11002302	Pressure limiter plug assembly, CCW rotation pump	1
K23	L022	08-10		504207	O-ring	1
	L200	08-10		11049146	High pressure relief valve, 230 bar	1
	L300	08-10		11002302	Pressure limiter plug assembly, CW rotation pump	1
	L400	08-10		11002302	Pressure limiter plug assembly, CCW rotation pump	1
K25	L022	08-10		504207	O-ring	1
	L200	08-10		11049147	High pressure relief valve, 250 bar	1
	L300	08-10		11002302	Pressure limiter plug assembly, CW rotation pump	1
	L400	08-10		11002302	Pressure limiter plug assembly, CCW rotation pump	1
K28	L022	08-10		504207	O-ring	1
	L200	08-10		11049148	High pressure relief valve, 280 bar	1
	L300	08-10		11002302	Pressure limiter plug assembly, CW rotation pump	1
	L400	08-10		11002302	Pressure limiter plug assembly, CCW rotation pump	1

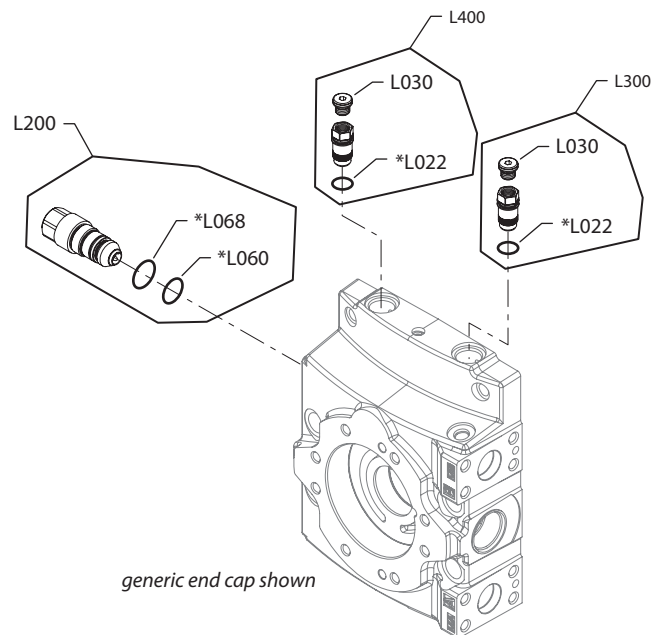


Variable displacement pump

(K30 - K46)



(KDC - KWY)



E100 757E

* = included in overhaul seal kit Q210

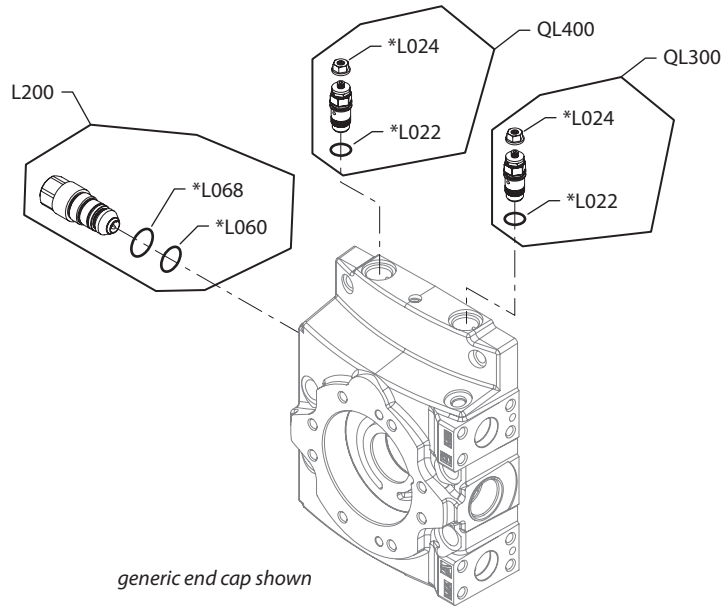

Variable displacement pump
High pressure setting, port B

Order Code	Item	Date Begin	Date End	Part Number	Part Name	Qty. per Model/Kit
all	L022	08-10		504207	O-ring	1
	L060	08-10		365023	O-ring	1
	L068	08-10		11052201	O-ring	1
K30	L200	08-10		11049149	High pressure relief valve, 300 bar	1
	L300	08-10		11002302	Pressure limiter plug assembly, CW rotation pump	1
	L400	08-10		11002302	Pressure limiter plug assembly, CCW rotation pump	1
K33	L200	08-10		11049150	High pressure relief valve, 330 bar	1
	L300	08-10		11002302	Pressure limiter plug assembly, CW rotation pump	1
	L400	08-10		11002302	Pressure limiter plug assembly, CCW rotation pump	1
K35	L200	08-10		11049151	High pressure relief valve, 350 bar	1
	L300	08-10		11002302	Pressure limiter plug assembly, CW rotation pump	1
	L400	08-10		11002302	Pressure limiter plug assembly, CCW rotation pump	1
K38	L200	08-10		11049152	High pressure relief valve, 380 bar	1
	L300	08-10		11002302	Pressure limiter plug assembly, CW rotation pump	1
	L400	08-10		11002302	Pressure limiter plug assembly, CCW rotation pump	1
K40	L200	08-10		11049153	High pressure relief valve, 400 bar	1
	L300	08-10		11002302	Pressure limiter plug assembly, CW rotation pump	1
	L400	08-10		11002302	Pressure limiter plug assembly, CCW rotation pump	1
K42	L200	08-10		11049154	High pressure relief valve, 420 bar	1
	L300	08-10		11002302	Pressure limiter plug assembly, CW rotation pump	1
	L400	08-10		11002302	Pressure limiter plug assembly, CCW rotation pump	1
K45	L200	08-10		11049155	High pressure relief valve, 450 bar	1
	L300	08-10		11002302	Pressure limiter plug assembly, CW rotation pump	1
	L400	08-10		11002302	Pressure limiter plug assembly, CCW rotation pump	1
K46	L200	08-10		11106573	High pressure relief valve, 460 bar	1
	L300	08-10		11002302	Pressure limiter plug assembly, CW rotation pump	1
	L400	08-10		11002302	Pressure limiter plug assembly, CCW rotation pump	1
KDC	L030	08-10		513443	Plug assembly	1
	L200	08-10		11069762	High pressure relief valve, 430 bar	1
	L300	08-10		11035112	Pressure limiter plug assembly, CW rotation pump	1
	L400	08-10		11035112	Pressure limiter plug assembly, CCW rotation pump	1
KWY	L030	08-10		513443	Plug assembly	1
	L200	08-10		11049155	High pressure relief valve, 450 bar	1
	L300	08-10		11035112	Pressure limiter plug assembly, CW rotation pump	1
	L400	08-10		11035112	Pressure limiter plug assembly, CCW rotation pump	1



Variable displacement pump

(L15 -L41)



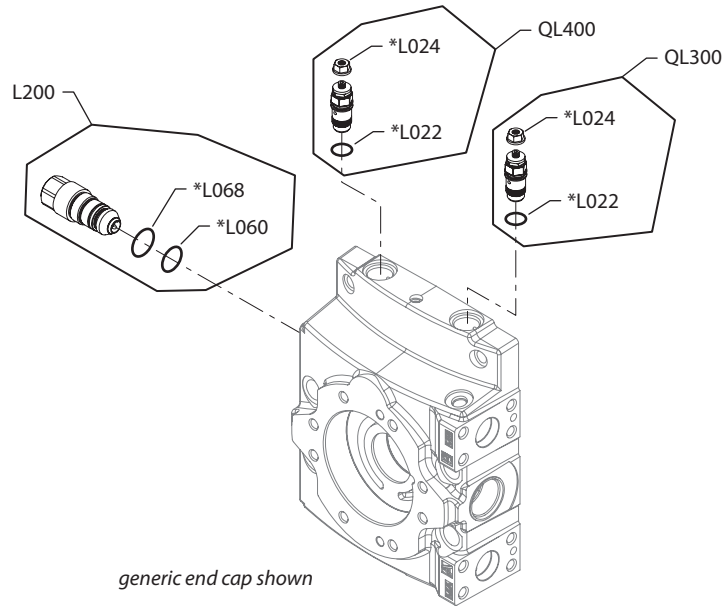

Variable displacement pump
High pressure setting, port B

Order Code	Item	Date Begin	Date End	Part Number	Part Name	Qty. per Model/Kit
all	L022	08-10		504207	O-ring	1
	L024	08-10		336826	Seal nut	1
	L060	08-10		365023	O-ring	1
	L068	08-10		11052201	O-ring	1
L15	L200	08-10		11049144	High pressure relief valve, 200 bar	1
	QL300	08-10		11119002	Pressure limiter kit, adjustable, CW rotation pump	1
	QL400	08-10		11119002	Pressure limiter kit, adjustable, CCW rotation pump	1
L20	L200	08-10		11049147	High pressure relief valve, 250 bar	1
	QL300	08-10		11004709	Pressure limiter kit, adjustable, CW rotation pump	1
	QL400	08-10		11004709	Pressure limiter kit, adjustable, CCW rotation pump	1
L23	L200	08-10		11049148	High pressure relief valve, 280 bar	1
	QL300	08-10		11004709	Pressure limiter kit, adjustable, CW rotation pump	1
	QL400	08-10		11004709	Pressure limiter kit, adjustable, CCW rotation pump	1
L25	L200	08-10		11049149	High pressure relief valve, 300 bar	1
	QL300	08-10		11004709	Pressure limiter kit, adjustable, CW rotation pump	1
	QL400	08-10		11004709	Pressure limiter kit, adjustable, CCW rotation pump	1
L28	L200	08-10		11049150	High pressure relief valve, 330 bar	1
	QL300	08-10		11004709	Pressure limiter kit, adjustable, CW rotation pump	1
	QL400	08-10		11004709	Pressure limiter kit, adjustable, CCW rotation pump	1
L30	L200	08-10		11049151	High pressure relief valve, 350 bar	1
	QL300	08-10		11004709	Pressure limiter kit, adjustable, CW rotation pump	1
	QL400	08-10		11004709	Pressure limiter kit, adjustable, CCW rotation pump	1
L33	L200	08-10		11049152	High pressure relief valve, 380 bar	1
	QL300	08-10		11004709	Pressure limiter kit, adjustable, CW rotation pump	1
	QL400	08-10		11004709	Pressure limiter kit, adjustable, CCW rotation pump	1
L35	L200	08-10		11049153	High pressure relief valve, 400 bar	1
	QL300	08-10		11004709	Pressure limiter kit, adjustable, CW rotation pump	1
	QL400	08-10		11004709	Pressure limiter kit, adjustable, CCW rotation pump	1
L38	L200	08-10		11049154	High pressure relief valve, 420 bar	1
	QL300	08-10		11004709	Pressure limiter kit, adjustable, CW rotation pump	1
	QL400	08-10		11004709	Pressure limiter kit, adjustable, CCW rotation pump	1
L40	L200	08-10		11049155	High pressure relief valve, 450 bar	1
	QL300	08-10		11004709	Pressure limiter kit, adjustable, CW rotation pump	1
	QL400	08-10		11004709	Pressure limiter kit, adjustable, CCW rotation pump	1
L41	L200	08-10		11049155	High pressure relief valve, 450 bar	1
	QL300	08-10		11004709	Pressure limiter kit, adjustable, CW rotation pump	1
	QL400	08-10		11004709	Pressure limiter kit, adjustable, CCW rotation pump	1



Variable displacement pump

(L42 -L48, L4G & LED)



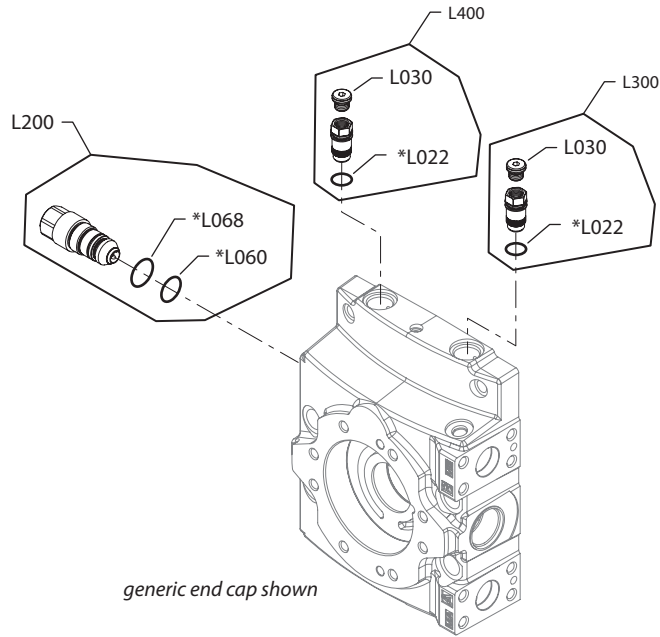

Variable displacement pump
High pressure setting, port B

Order Code	Item	Date Begin	Date End	Part Number	Part Name	Qty. per Model/Kit
all	L022	08-10		504207	O-ring	1
	L024	08-10		336826	Seal nut	1
	L060	08-10		365023	O-ring	1
	L068	08-10		11052201	O-ring	1
L42	L200	08-10		11049155	High pressure relief valve, 450 bar	1
	QL300	08-10		11004709	Pressure limiter kit, adjustable, CW rotation pump	1
	QL400	08-10		11004709	Pressure limiter kit, adjustable, CCW rotation pump	1
L43	L200	08-10		11049156	High pressure relief valve, 480 bar	1
	QL300	08-10		11004709	Pressure limiter kit, adjustable, CW rotation pump	1
	QL400	08-10		11004709	Pressure limiter kit, adjustable, CCW rotation pump	1
L44	L200	08-10		11049156	High pressure relief valve, 480 bar	1
	QL300	08-10		11004709	Pressure limiter, adjustable, CW rotation pump	1
	QL400	08-10		11004709	Pressure limiter, adjustable, CCW rotation pump	1
L45	L200	08-10		11049156	High pressure relief valve, 480 bar	1
	QL300	08-10		11004709	Pressure limiter, adjustable, CW rotation pump	1
	QL400	08-10		11004709	Pressure limiter, adjustable, CCW rotation pump	1
L46	L200	08-10		11049157	High pressure relief valve, 510 bar	1
	QL300	08-10		11004709	Pressure limiter, adjustable, CW rotation pump	1
	QL400	08-10		11004709	Pressure limiter, adjustable, CCW rotation pump	1
L47	L200	08-10		11049157	High pressure relief valve, 510 bar	1
	QL300	08-10		11004709	Pressure limiter, adjustable, CW rotation pump	1
	QL400	08-10		11004709	Pressure limiter, adjustable, CCW rotation pump	1
L48	L200	08-10		11049157	High pressure relief valve, 510 bar	1
	QL300	08-10		11004709	Pressure limiter, adjustable, CW rotation pump	1
	QL400	08-10		11004709	Pressure limiter, adjustable, CCW rotation pump	1
L4G	L200	08-10		11049156	High pressure relief valve, 480 bar	1
	QL300	08-10		11004709	Pressure limiter, adjustable, CW rotation pump	1
	QL400	08-10		11004709	Pressure limiter, adjustable, CCW rotation pump	1
LED	L200	08-10		11106573	High pressure relief valve, 460 bar	1
	QL300	08-10		11004709	Pressure limiter, adjustable, CW rotation pump	1
	QL400	08-10		11004709	Pressure limiter, adjustable, CCW rotation pump	1



Variable displacement pump

(S42, S44 & S45)





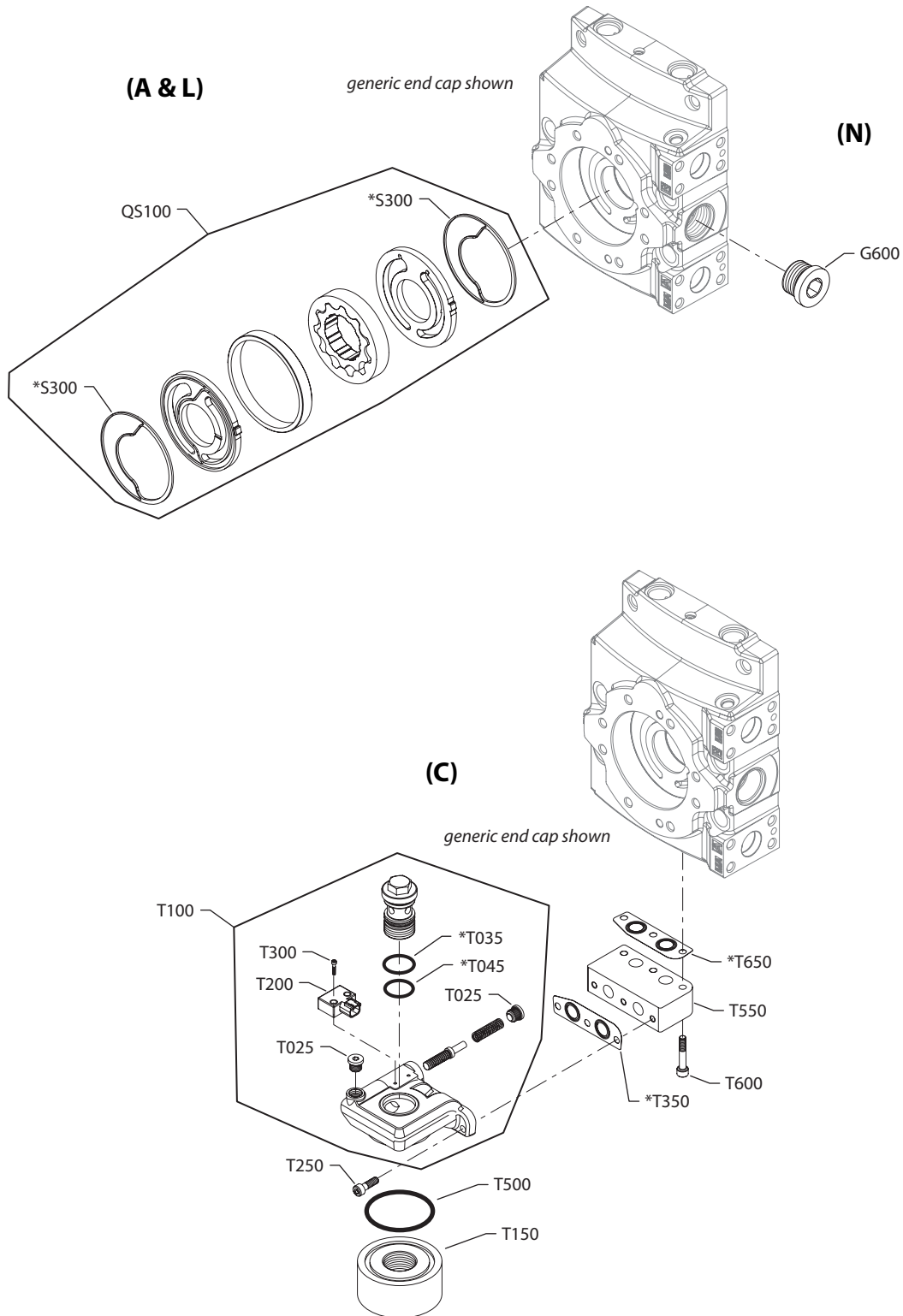
Variable displacement pump

High pressure setting, port B

Order Code	Item	Date Begin	Date End	Part Number	Part Name	Qty. per Model/Kit
all	L022	08-10		504207	O-ring	1
	L060	08-10		365023	O-ring	1
	L068	08-10		11052201	O-ring	1
S42	L030	12-04		140644	Plug assembly	1
	L200	12-04		11049154	High pressure relief valve, 420 bar	1
	L300	12-02		11085422	Pressure sensor adapter, CW rotation pump	1
	L400	12-04		11085422	Pressure sensor adapter, CCW rotation pump	1
S44	L030	12-02		140644	Plug assembly	1
	L200	12-02		11116160	High pressure relief valve, 440 bar	1
	L300	12-02		11085422	Pressure sensor adapter, CW rotation pump	1
	L400	12-02		11085422	Pressure sensor adapter, CCW rotation pump	1
S45	L030	12-22		140644	Plug assembly	1
	L200	12-22		11049155	High pressure relief valve, 450 bar	1
	L300	12-22		11085422	Pressure sensor adapter, CW rotation pump	1
	L400	12-22		11085422	Pressure sensor adapter, CCW rotation pump	1



Variable displacement pump



E101 597E

* = included in overhaul seal kit Q210


Variable displacement pump
Charge pump

Order Code	Item	Date Begin	Date End	Part Number	Part Name	Qty. per Model/Kit
A	QS100	10-08		11075695	Charge pump kit, 26 cc (SB-2011-022)	1
	S300	08-10		11126778	Seal ring (SB-2013-019)	2
A (metric)	QS100	16-09		11075695	Charge pump kit, 26 cc	1
	S300	16-09		11126778	Seal ring (SB-2013-019)	2
L	QS100	10-08		11069135	Charge pump kit, 34 cc (SB-2011-022)	1
	S300	08-10		11126778	Seal ring (SB-2013-019)	2
L (metric)	QS100	16-09		11069135	Charge pump kit, 34 cc	1
	S300	16-09		11126778	Seal ring	2
N	G600	10-15		676734 (9005110-9500)	Plug assembly	1
N (metric)	G600	16-09		11164205	Plug assembly, M42	1

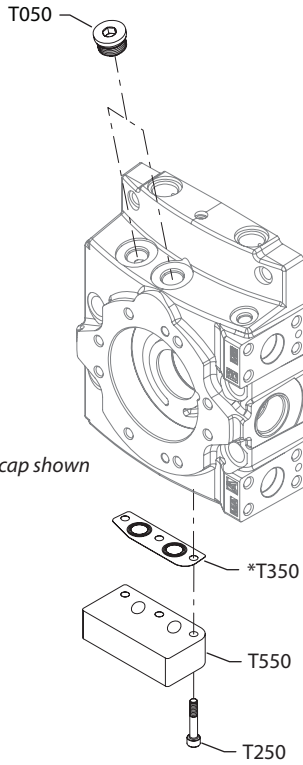
Filtration

C	T025	08-10		141269	Plug assembly	2
	T035	08-10		761148 (9004100-0260)	O-ring	1
	T045	08-10		314500 (9004100-1250)	O-ring	1
	T100	08-10		140736	Pressure filter adapter assembly	1
	T150	08-10		11008261	Cover	1
	T200	08-10		11031852	Filtration sensor (SB-2007-052)	1
	T250	08-10		11128665	Screw, M8 x 25	3
	T300	08-10		140560	Screw, M3 x 16	2
	T350	08-10		140737	Filter adapter gasket	1
	T500	08-10		000943 (9004100-2300)	O-ring	1
	T550	08-10		11008273	Adapter plate	1
	T600	08-10		376624	Screw, M8 x 45	3
	T650	08-10		140737	Gasket	1



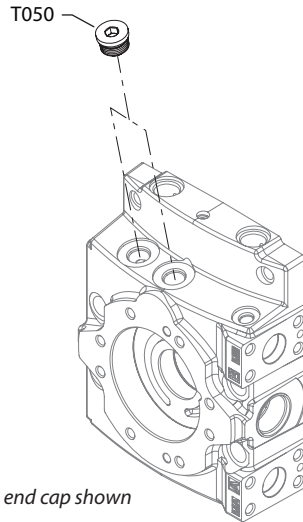
Variable displacement pump

(D)



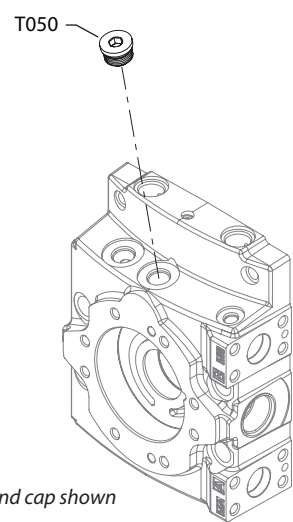
generic end cap shown

(E & P)



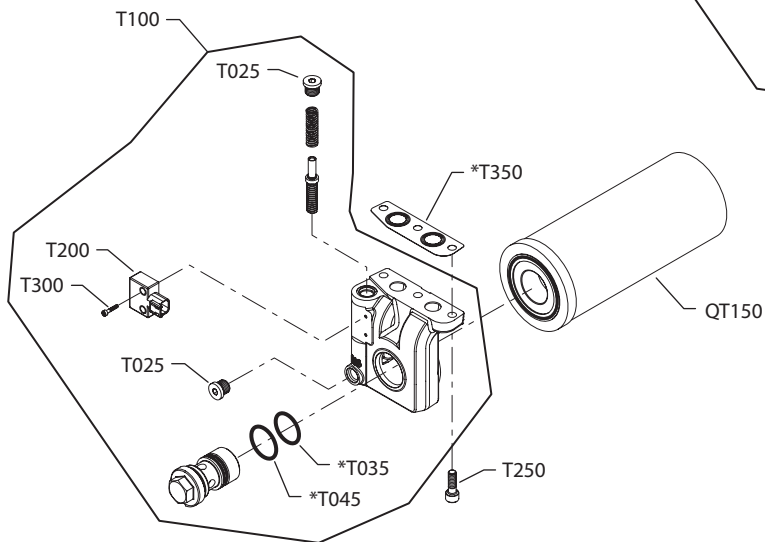
generic end cap shown

(G)

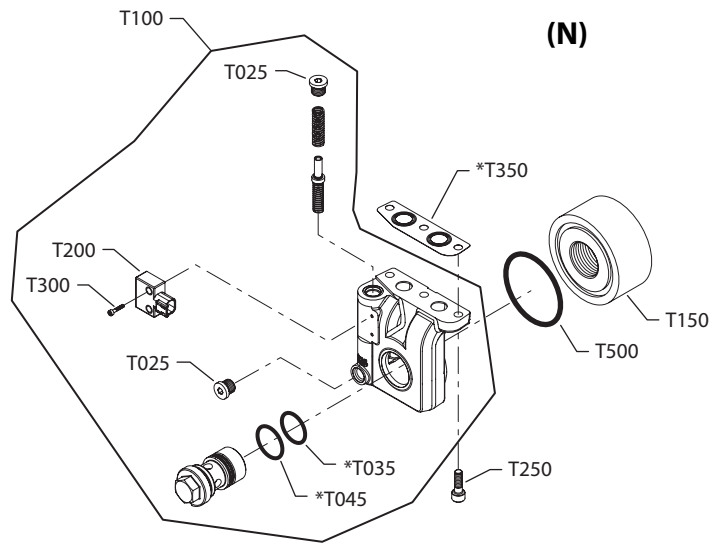


generic end cap shown

(M & S)



(N)



E101 910E

* = included in overhaul seal kit Q210

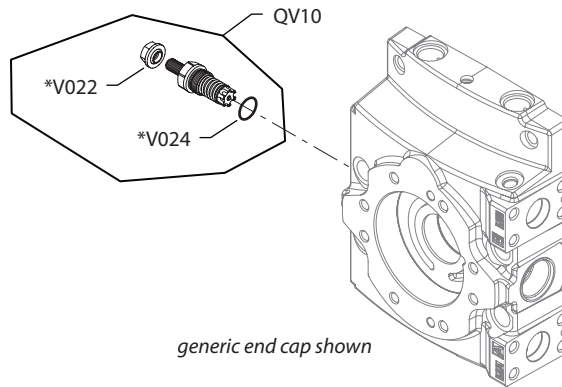

Variable displacement pump
Filtration

Order Code	Item	Date Begin	Date End	Part Number	Part Name	Qty. per Model/Kit
D	T050	09-43		664524 (9005110-9000)	Plug assembly	2
	T250	09-43		092106	Screw	3
	T350	09-43		140737	Filter adapter gasket	1
	T550	09-43		11074118	Adapter plate	1
E	T050	09-43		664524 (9005110-9000)	Plug assembly	2
G	T050	09-43		664524 (9005110-9000)	Plug assembly	1
L		08-10		None		
M	QT150	08-10		11004919	Filter assembly	1
	T025	08-10		141269	Plug assembly	2
	T035	08-10		761148 (9004100-0260)	O-ring	1
	T045	08-10		314500 (9004100-1250)	O-ring	1
	T100	08-10		140736	Pressure filter adapter assembly	1
	T200	08-10		11031852	Filtration sensor (SB-2007-052)	1
	T250	08-10		11128665	Screw	3
	T300	08-10		140560	Screw	2
	T350	08-10		140737	Filter adapter gasket	1
N	T025	08-47		141269	Plug assembly	2
	T035	08-47		761148 (9004100-0260)	O-ring	1
	T045	08-47		314500 (9004100-1250)	O-ring	1
	T100	08-47		140736	Pressure filter adapter assembly	1
	T150	08-47		11008261	Cover	1
	T200	08-47		11031852	Filtration sensor (SB-2007-052)	1
	T250	08-47		11128665	Screw	3
	T300	08-47		140560	Screw	2
	T350	08-47		140737	Filter adapter gasket	1
	T500	08-47		000943 (9004100-2300)	O-ring	1
P	T050	08-10		664524 (9005110-9000)	Plug assembly	2
S	QT150	08-10		11004919	Filter assembly	1
	T025	08-10		141269	Plug assembly	2
	T035	08-10		761148 (9004100-0260)	O-ring	1
	T045	08-10		314500 (9004100-1250)	O-ring	1
	T100	08-10		11000746	Pressure filter adapter assembly	1
	T200	08-10		11031853	Filtration sensor (SB-2007-052)	1
	T250	08-10		11128665	Screw	3
	T300	08-10		140560	Screw	2
	T350	08-10		140737	Filter adapter gasket	1



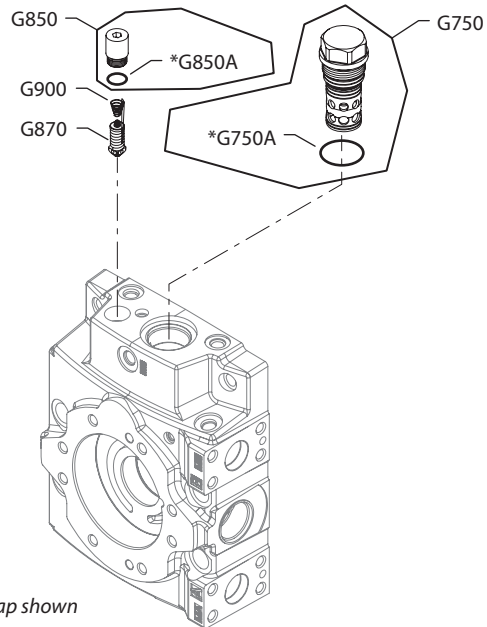
Variable displacement pump

(14 - 40)



generic end cap shown

(A01 - G23)



generic end cap shown

E100 758E

* = included in overhaul seal kit Q210


Variable displacement pump
Charge pressure relief

Order Code	Item	Date Begin	Date End	Part Number	Part Name	Qty. per Model/Kit
14-22	QV10	15-04		11137578	Charge relief valve kit (SB-2016-004)	1
	QV10	08-10	15-03	11004711	Charge relief valve kit	1
	V022	15-04		066159	Seal nut, M12 (SB-2016-004)	1
	V022	08-10	15-03	612291 (9003508-0008)	Seal nut, M8	1
	V024	08-10		001149 (9004201-6200)	O-ring	1
24-40	QV10	15-04		11137579	Charge relief valve kit (SB-2016-004)	1
	QV10	08-10	15-03	11017127	Charge relief valve kit	1
	V022	15-04		066159	Seal nut, M12 (SB-2016-004)	1
	V022	08-10	15-03	612291 (9003508-0008)	Seal nut, M8	1
	V024	08-10		001149 (9004201-6200)	O-ring	1

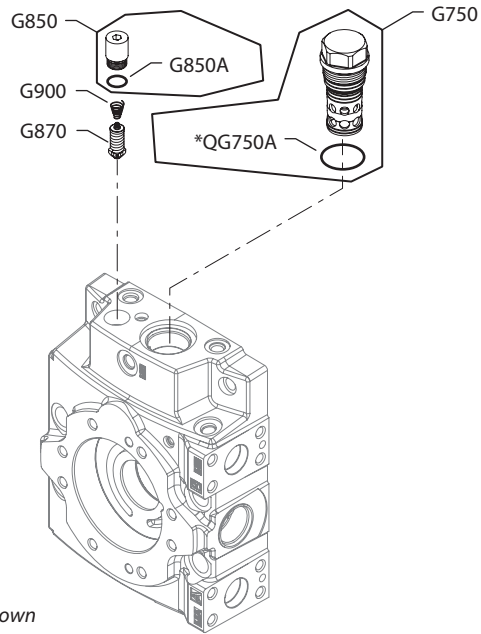
ISL settings

A02 & G14	G750	08-10		11137759	ISL valve assembly, 5.5	1
	G750A	08-10		140866	O-ring	1
	G850	08-10		11126727	Plug assembly	1
	G850A	08-10		001131 (9004201-5000)	O-ring	1
	G870	08-10		3103375-0140	SCR valve assembly, 140 bar [2030 psi]	1
	G900	08-10		4800780	Spring	1
	G16	G750	14-32		11145639	ISL valve assembly, 4.4
G750A		14-32		140866	O-ring	1
G850		14-32		11126727	Plug assembly	1
G850A		14-32		001131 (9004201-5000)	O-ring	1
G870		14-32		3103375-0160	SCR valve assembly, 160 bar [2320 psi]	1
G900		14-32		4800780	Spring	1
G18		G750	08-10		11137759	ISL valve assembly, 5.5
	G750A	08-10		140866	O-ring	1
	G850	08-10		11126727	Plug assembly	1
	G850A	08-10		001131 (9004201-5000)	O-ring	1
	G870	08-10		3103375-0175	SCR valve assembly, 175 bar [2538 psi]	1
	G900	08-10		4800780	Spring	1
	G21	G750	08-10		11137759	ISL valve assembly, 5.5
G750A		08-10		140866	O-ring	1
G850		08-10		11126727	Plug assembly	1
G850A		08-10		001131 (9004201-5000)	O-ring	1
G870		08-10		3103375-0210	SCR valve assembly, 210 bar [3045 psi]	1
G900		08-10		4800780	Spring	1
G23		G750	08-10		11137759	ISL valve assembly, 5.5
	G750A	08-10		140866	O-ring	1
	G850	08-10		11126727	Plug assembly	1
	G850A	08-10		001131 (9004201-5000)	O-ring	1
	G870	08-10		3103375-0230	SCR valve assembly, 230 bar [3335 psi]	1
	G900	08-10		4800780	Spring	1



Variable displacement pump

(G25, GAA-GAE & Y4E)



generic end cap shown


Variable displacement pump
ISL settings

Order Code	Item	Date Begin	Date End	Part Number	Part Name	Qty. per Model/Kit
G25	G750	08-10		11137759	ISL valve assembly, 5.5	1
	G750A	08-10		140866	O-ring	1
	G850	08-10		11126727	Plug assembly	1
	G850A	08-10		001131 (9004201-5000)	O-ring	1
	G870	08-10		3103375-0250	SCR valve assembly, 250 bar [3625 psi]	1
	G900	08-10		4800780	Spring	1
	GAA	G750	08-10		11145639	ISL valve assembly, 4.4
G750A		08-10		140866	O-ring	1
G850		08-10		11126727	Plug assembly	1
G850A		08-10		001131 (9004201-5000)	O-ring	1
G870		08-10		3103375-0140	SCR valve assembly, 140 bar [2030 psi]	1
G900		08-10		4800780	Spring	1
GAB		G750	08-10		11145639	ISL valve assembly, 4.4
	G750A	08-10		140866	O-ring	1
	G850	08-10		11126727	Plug assembly	1
	G850A	08-10		001131 (9004201-5000)	O-ring	1
	G870	08-10		3103375-0175	SCR valve assembly, 175 bar [2538 psi]	1
	G900	08-10		4800780	Spring	1
	GAC	G750	08-10		11145639	ISL valve assembly, 4.4
G750A		08-10		140866	O-ring	1
G850		08-10		11126727	Plug assembly	1
G850A		08-10		001131 (9004201-5000)	O-ring	1
G870		08-10		3103375-0210	SCR valve assembly, 210 bar [3045 psi]	1
G900		08-10		4800780	Spring	1
GAD		G750	08-10		11145639	ISL valve assembly, 4.4
	G750A	08-10		140866	O-ring	1
	G850	08-10		11126727	Plug assembly	1
	G850A	08-10		001131 (9004201-5000)	O-ring	1
	G870	08-10		3103375-0230	SCR valve assembly, 230 bar [3335 psi]	1
	G900	08-10		4800780	Spring	1
	GAE	G750	08-10		11145639	ISL valve assembly, 4.4
G750A		08-10		140866	O-ring	1
G850		08-10		11126727	Plug assembly	1
G850A		08-10		001131 (9004201-5000)	O-ring	1
G870		08-10		3103375-0250	SCR valve assembly, 250 bar [3625 psi]	1
G900		08-10		4800780	Spring	1
Y4E		G750	15-18		11137759	ISL valve assembly, 4.4
	G750A	15-18		140866	O-ring	1
	G850	15-18		11126727	Plug assembly	1
	G850A	15-18		001131 (9004201-5000)	O-ring	1
	G870	15-18		3103375-0140	SCR valve assembly, 140 bar [2030 psi]	1
	G900	15-18		4800780	Spring	1


Variable displacement pump
Overhaul seal kit

Order Code	Item	Date Begin	Date End	Part Number	Part Name	Qty. per Model/Kit
	Q210	08-10		11178088	Overhaul seal kit, H1P115-130	1
	D060	08-10		612291 (9003508-0008)	Seal nut	1
	D150	07-01		11173377	Control gasket (SB-2016-033)	1
	D611	08-10		11066774	O-ring	2
	E020	08-10		11075557	O-ring	2
	E025	08-10		11075556	Piston ring	2
	E250	08-10		071845 (9004104-1510)	O-ring	2
	E500	08-10		649822	Seal nut	1
	E550	08-10		649822	Seal nut	1
	G150	08-10		11001894	End cap gasket	1
	G750A	08-10		140866	O-ring	1
	G850A	08-10		001131 (9004201-5000)	O-ring	1
	J250	07-29		11024711	Lip seal (SB-2008-014)	1
	K150	10-39		11002236	Adapter seal (SB-2011-002)	1
	L022	08-10		504207	O-ring	2
	L024	08-10		336826	Seal nut, M10 x 1	2
	L060	08-10		365023	O-ring	2
	L068	08-10		11052201	O-ring	2
	QD26	08-10		11001952	O-ring	2
	QD81	08-10		11059551	O-ring	1
	QD81	08-10		11152257	O-ring	1
	QD751	08-10		001131 (9004201-5000)	O-ring	1
	QH131	08-10		11013397	O-ring	1
	S300	08-10		11126778	Seal ring	2
	T035	08-10		761148 (9004100-0260)	O-ring	1
	T045	08-10		314500 (9004100-1250)	O-ring	1
	T350	08-10		140737	Filter adapter gasket	1
	T650	08-10		140737	Filter adapter gasket	1
	V022	10-43		066159	Seal nut, M12 (SB-2016-004)	1
	V022	08-10		612291 (9003508-0008)	Seal nut, M8	1
	V024	08-10		001149 (9004201-6200)	O-ring	1

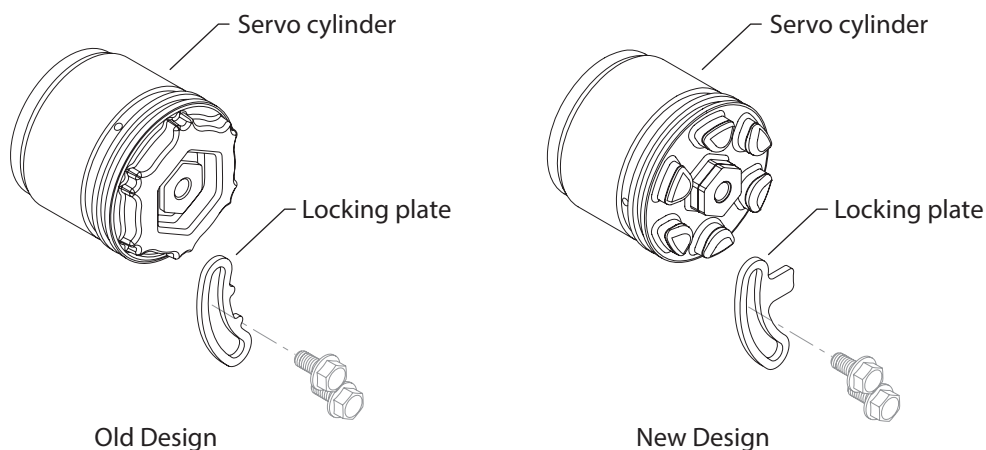


Service Bulletin: SB-2009-046

Products affected H1 78, 115/130 and 147/165cc pumps

Subject Servo cylinder and locking plate design change

Description As a product improvement, Sauer-Danfoss has changed the servo cylinder and locking plate. The new servo cylinder has a larger locking area to allow for a larger locking plate tab for added strength. The old servo cylinders are obsolete and no longer available for service. The old locking plate will remain available for repair. The new and old designs are interchangeable, if both parts are replaced together.



Models affected All H1 78, 115/130 and 147 and 165cc pumps.

Serial numbers This change became effective at serial number:

78 cc pumps	N-10-29-xxxxx (21 July 2010)
115/130 cc pumps	N-10-35-xxxxx (30 August 2010)
147/165 cc pumps	N-10-28-xxxxx. (15 July 2010)

Part numbers affected

Description	Frame size	Old part number	New part number
Servo cylinder, no-adjust	78 cc	140852	11089779
Servo cylinder, adjustable	78 cc	140853	11089749
Locking plate	78 cc	140513	11033382
Servo cylinder, no-adjust	115 - 130 cc	141224	11089773
Servo cylinder, adjustable	115 - 130 cc	141225	11089772
Locking plate	115 - 130 cc	140513	11033382
Servo cylinder, no-adjust	147 - 165 cc	140493	11089775
Servo cylinder, adjustable	147 - 165 cc	140309	11089774
Locking plate	147 - 165 cc	140513	11033382

Parts disposition ■ Interchangeable - only if both parts are replaced together

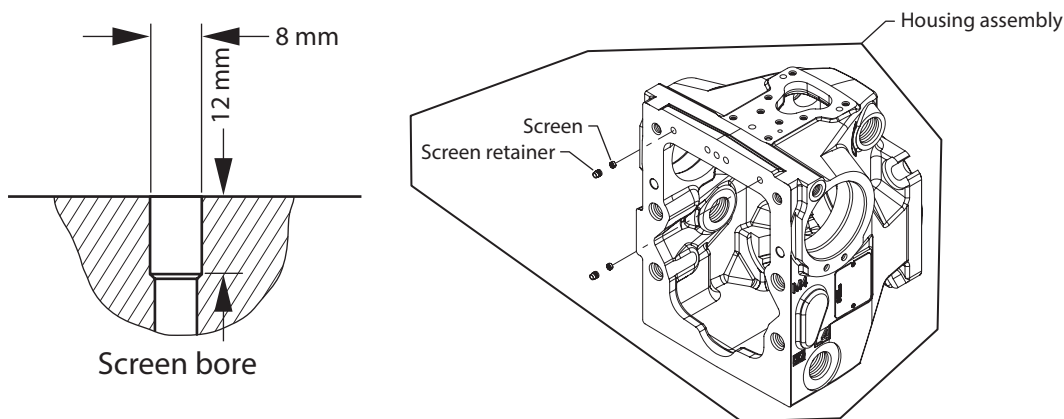


Service Bulletin: SB-2009-068

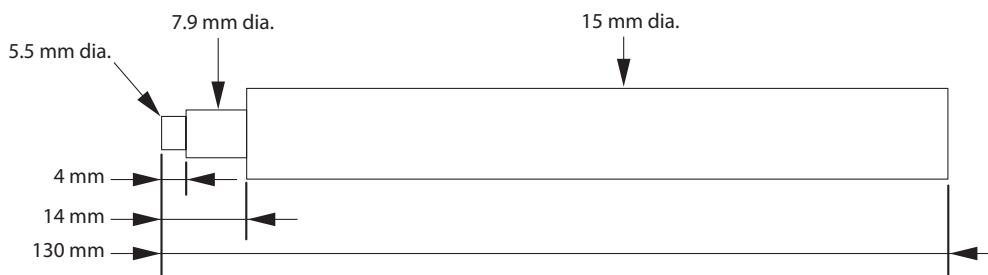
Products affected H1 69/78, 115/130 and 147/165cc pumps

Subject Design of servo screen retention in pump housing

Description Sauer-Danfoss has made a change to the way the servo passage screens are retained in the pump housing of H1- 78 cc, 115/130 cc and 147/165 cc pumps. The screens in the past were retained only by friction fit. The screens are now pressed into the bores to the step. The retainers are then pressed in the bore against the screens with a maximum force of 3000 Newtons. The retainers must be against the screens so no movement of the screens occurs. A tool for installation of the retainer can be made with the dimensions shown below. The bores in the housing for the screens have been cut deeper to allow for the length of the retainers. The housings sold for service parts have changed to a housing assembly, with the screens and retainers installed. The old housings can be reworked to allow for the use of the new retainers by boring the 8mm bores for the screen and retainer 12mm deep from the gasket surface to the step that the screen sets on. The screen part number remains the same.



Installation tool



Models affected H1 115 and 130cc pumps.

Serial numbers This change became effective at serial number:
 H000G - N09-24-04341
 H000L - N09-27-03743

Part numbers affected

Description	Old part number	New assembly part number
115/130 cc (H000G)	11002342	11005070
115/130 cc (H000L)	11030117	11030118

Parts disposition ■ Interchangeable when old housings are reworked.



Service Bulletin: SB-2011-022

Products affected

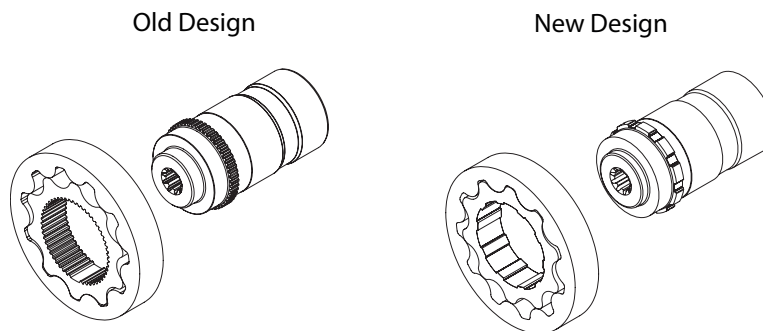
H1 115/130 cc pumps

Subject

Gerotor and charge pump shaft design change

Description

As a product improvement and part commonality between models Sauer-Danfoss is changing the charge pump shaft and gerotor set design. The inner and outer spline of the charge pump shaft and consequently the inner spline of the inner gerotor wheel are affected by this change.



Models affected

H1 115 – 130cc pumps

Serial numbers

This change became effective at N-10-36-xxxxx (6-September-2010)

Part numbers affected

Code	Description	Old part number	New part number
H1	Charge pump shaft, 11T, 16/32	11002333	11064258
H2	Charge pump shaft, 9T, 16/32	11002231	11064260
H3	Charge pump shaft, 13T, 16/32	11002232	11064272
H4	Charge pump shaft, 13T, 8/16	11002234	11045667
H5	Charge pump shaft, 15T, 16/32	11002235	11064275
H6	Charge pump shaft, 14T, 12/24	11002233	11064276
NN	Charge pump shaft, 9T, 16/32	11002231	11064260
S1	Charge pump shaft, 14T, 12/24	11002233	11064276
A	Charge pump kit, 26 cc	11004702	11075695
L	Charge pump kit, 34 cc	11004704	11069135

Parts disposition

- Interchangeable - only if both parts are replaced together
- Use parts in stock - old and new design can not be mixed



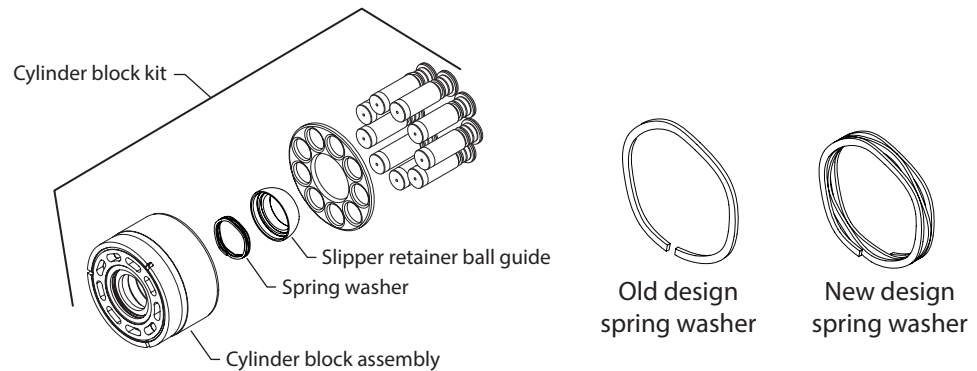
Service Bulletin: SB-2011-039

Products affected H1 115/130 cc pumps

Subject Cylinder block spring washer change

Description As a product improvement, the cylinder block kit has been redesigned. The cylinder block, spring washer and slipper retainer ball guide have been changed.

The new parts are not interchangeable with the old parts, and the old parts are no longer available. The cylinder block kit part number has not changed. If any of the old parts are needed, a new cylinder block kit must be used.



Models affected H1 115 – 130cc pumps

Serial numbers This change became effective at serial number:

115 cc pumps	N-11-38-xxxxx (20 September 2010)
130 cc pumps	N-11-35-xxxxx. (29 August 2010)

Part numbers affected

Description	Old part number	New part number
Slipper retainer ball guide	141253	11121504
Spring washer	141276	11063561
Cylinder block assy, 115cc	-	11124490
Cylinder block assy, 115cc, speed ring	-	11124491
Cylinder block assy, 130cc	-	11126003
Cylinder block assy, 130cc, speed ring	-	11124493
Cylinder block kit, 115cc	141393/P	no change
Cylinder block assy, 115cc, speed ring	11030115	no change
Cylinder block assy, 130cc	141252/P	no change
Cylinder block assy, 130cc, speed ring	11030173	no change

Parts disposition ■ Interchangeable - only if both parts are replaced together

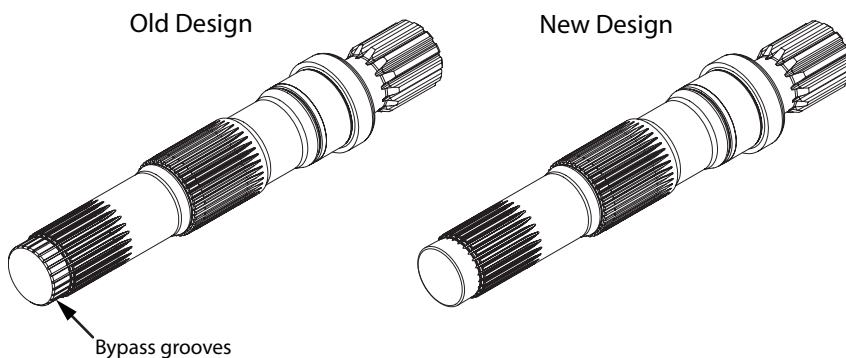


Service Bulletin: SB-2012-026

Products affected H1 115/130 cc pumps

Subject Shaft change

Description Sauer-Danfoss has removed the bypass on the end of the shaft of 115/130cc H1 pumps. The old shaft allowed unfiltered oil from the pump case into the charge pump and the high pressure loop. The bypass feature is now in the end cap. This change is not interchangeable with EPF end caps that have external remote filtration built prior to 10-47-xxxx (16 November 2010). The old design shafts are obsolete and no longer available.



Models affected H1 115 – 130cc pumps

Serial numbers See below

Part numbers affected	Description	Old part number	New part number	Affectivity date
	Shaft, tapered (F3)	11022062	11119637	N12-30-xxxxx (19 Sept. 2012)
	Shaft, 27T (G2)	11001965	11123698	N12-39-xxxxx (25 Sept. 2012)
	Shaft, 13T (G3)	11001966	11119634	N12-37-xxxxx (22 Oct. 2012)

- Parts disposition**
- Non-interchangeable
 - Use parts in stock


Service Bulletin: SB-2013-003
Products affected

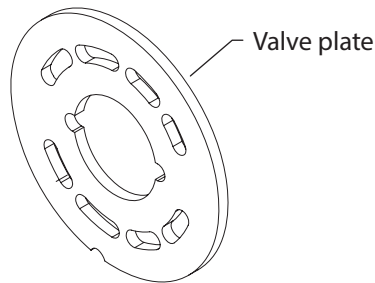
H1 pumps

Subject

Valve plate change

Description

As part of continuing product improvement efforts, Sauer-Danfoss is implementing a design change to the valve plates. The new valve plates are interchangeable with old valve plate. The new design reduces cavitation wear to the valve plate. The old valve plate will become obsolete.


Models affected

H1 69 thru 165cc pumps.

Serial numbers

see table below

Part numbers affected

Description	Old part number	New part number	Affectivity date
069/078 R CP17-1.5	11075607	11125564	N-13-05-xxxxx (31 Jan 2013)
069/078 R CP17+2.5	11076863	11125563	N-13-05-xxxxx (31 Jan 2013)
069/078 L CP17+2.5	11076865	11125551	N-13-05-xxxxx (31 Jan 2013)
069/078 L CP17-1.5	11076866	11125562	N-13-05-xxxxx (31 Jan 2013)
089/100 R CP17-1.5	11077025	11125566	N-13-05-xxxxx (31 Jan 2013)
089/100 R CP17+2.5	11077027	11125567	N-12-50-xxxxx (12 Dec 2012)
089/100 L CP17-1.5	11077026	11125568	N-13-05-xxxxx (31 Jan 2013)
089/100 L CP17+2.5	11077028	11125565	N-12-49-xxxxx (5 Dec 2012)
115/130 R CP17+2.5	11077029	11125572	N-13-05-xxxxx (25 Jan 2013)
115/130 R CP17-1.5	11077031	11123707	N-13-05-xxxxx (31 Jan 2013)
115/130 L CP17+2.5	11077030	11125569	N-13-05-xxxxx (31 Jan 2013)
115/130 L CP17-1.5	11077062	11125571	N-13-03-xxxxx (16 Jan 2013)
147/165 R CP17-1.5	11077063	11123708	N-13-05-xxxxx (31 Jan 2013)
147/165 R CP17+2.5	11077065	11125576	N-13-05-xxxxx (31 Jan 2013)
147/165 R (larger dia.)	11093335	11126989	N-13-05-xxxxx (31 Jan 2013)
147/165 L CP17-1.5	11077064	11125575	N-13-03-xxxxx (14 Jan 2013)
147/165 L CP17+2.5	11077066	11125574	N-13-05-xxxxx (31 Jan 2013)

Parts disposition

- Non-interchangeable
- Use parts in stock

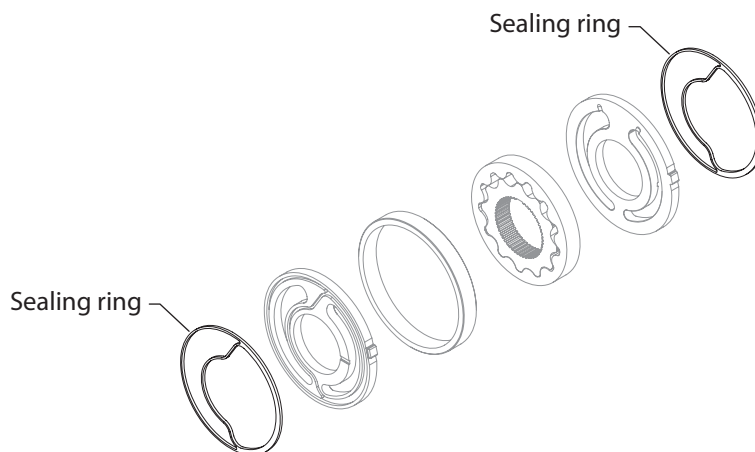


Service Bulletin: SB-2013-019

Products affected H1 pumps

Subject Charge pump seal

Description As a product improvement, Sauer-Danfoss has changed the material on the sealing ring in the charge pump port plates of H1 pumps. The part number was changed for tracking purposes because the parts look similar. The old part numbers will become obsolete and no longer available as service parts.



Models affected H1 pumps

Serial numbers Part #11126778 took effect at serial number: N-13-23-00773 (04June2013)
 Part #11126777 took effect at serial number: N-13-22-25411 (28 May2013)

Part numbers affected

Description	Old part number	New part number
Seal Ring, H1P115-165 port plate	11008462	11126778
Seal Ring, H1P045-100 port plate	11009457	11126777

Parts disposition

- Interchangeable
- Scrap used parts

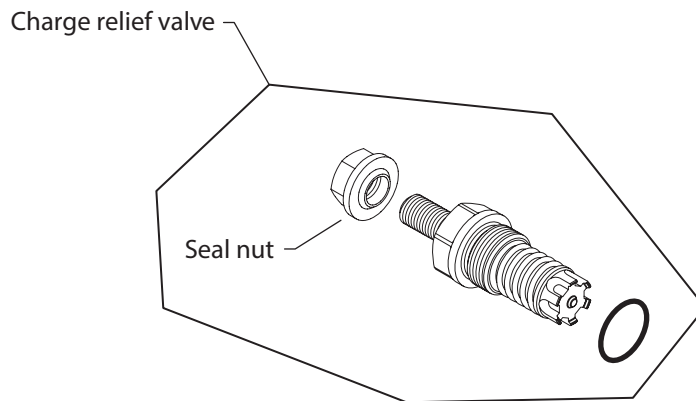


Service Bulletin: SB-2016-004

Products affected H1 115-130cc pumps

Subject Charge relief valve

Description A design change has been made to the charge pressure relief valve on all 115/130cc H1 pumps. The charge relief poppet drain hole has been relocated to the side and the adjusting set screw and seal lock nut have changed from M8 to M12 threading. The old charge relief valve is interchangeable, but the new charge relief valve is not. Components within the assemblies are not interchangeable.



Models affected H1 115-130cc pumps

Serial numbers The STD end cap change became effective at serial number N-15-01-xxxxx (03 Jan 2015)
The ISL end cap change became effective at serial number N-15-13-xxxxx (30 March 2015)

Part numbers affected

Description	Old part number	New part number
Charge pressure relief valve kit 18-22 bar	11004711	11137578
Charge pressure relief valve kit 24-34 bar	11017127	11137579
Seal nut	612291 (9003508-0008)	066159

Parts disposition ■ Non-interchangeable

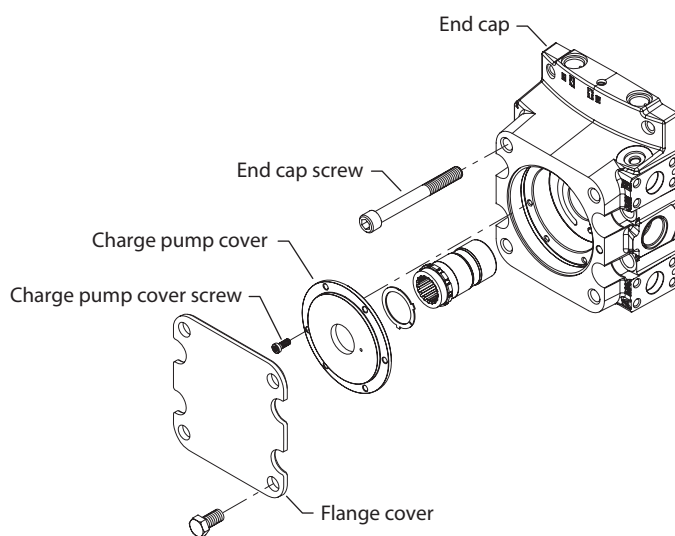
Service Bulletin: SB-2016-005

Products affected H1 115-130cc pumps

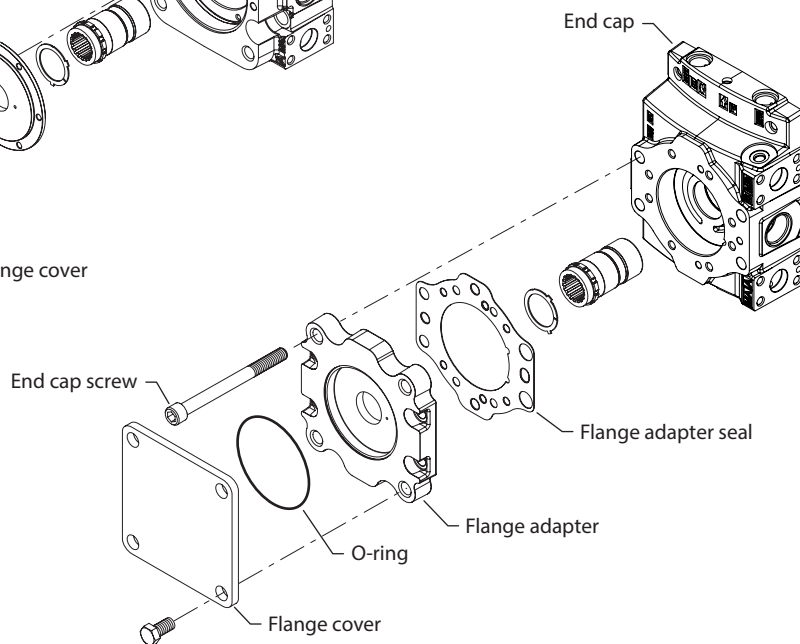
Subject End Cap

Description The SAE-D end cap on 115/130cc H1 pumps has been changed to a standard end cap with a SAE-D flange adapter. The SAE-D flange is now bolted to the standard end cap. The thread depth in the housing was deepened to allow for the standard end cap screws (130mm). The integrated SAE-D end cap has been obsoleted and the end caps are not interchangeable.

Old design



New design




Service Bulletin: SB-2016-005

Models affected H1 115-130cc pumps

Serial numbers This change became effective at the dates shown on the chart below.

Part numbers affected

Description	Old part number	New part number	Effective date
End cap assembly, 115/130L, SAE-D (D3)	11003644	11003643	9/10/2014
End cap assembly, 115/130R, SAE-D (D3)	11003666	11003665	1/09/2015
End cap assembly, 115/130L, SAE-D, ISL (D4)	11003650	11003650	1/09/2015
End cap assembly, 115/130R, SAE-D, ISL (D4)	11003672	11003672	1/09/2015
End cap assembly, 115/130L, SAE-D (D6)	11003648	11003645	10/13/2014
End cap assembly, 115/130R, SAE-D (D6)	11003670	11003667	10/23/2014
End cap assembly, 115/130L, SAE-D (D8)	11003646	11003647	9/11/2014
End cap assembly, 115/130R, SAE-D (D8)	11003668	11003669	10/20/2014
End cap assembly, 115/130L, SAE-D, ISL (E8)	11101861	11003671	2/13/2015
End cap assembly, 115/130R, SAE-D, ISL (E8)	11003649	11003649	2/1/2015
End cap screw	519508	5000676	N/A
Adapter, H1P115/130 SAE-D (H4)	11109108	11109108	9/10/2014
Adapter seal	11125012	11125012	N/A

Parts disposition ■ Non-interchangeable

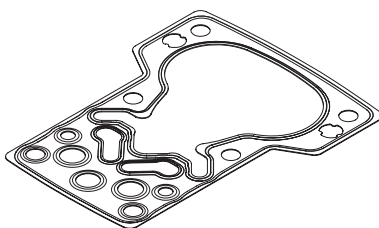


Service Bulletin: SB-2016-033

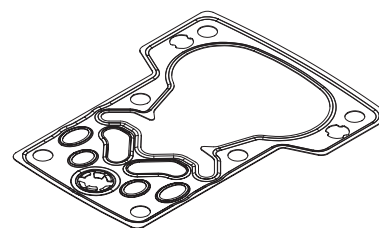
Products affected H1 pumps and tandems, MP1 and M46 control kits

Subject Control Gasket

Description Danfoss Power Solutions has made a two-part design change to the control gasket used on H1 pumps and tandems and in MP1 and M46 control kits. The electrical displacement controls (EDC) have changed from an 8mm port to 12mm with tabs on the pressure port. The interim gasket used in the manual displacement controls has changed from a 10mm port to 12mm with tabs in the pressure port. The gasket is now a common part to all pump models and control service kits. The new part can be substituted for the old part, but the old part cannot be substituted for the new part.



Old gasket



New gasket

Models affected H1 pumps and tandems, MP1 and M46 control kits

Serial numbers
 H1 Pumps - This change became effective on N-16-36-30132
 H1 Tandems - This change became effective on N-16-37-30132
 MP1 Control Kits - This change became effective on N-16-32-xxxxx
 M46 Control Kits - This change became effective on N-16-32-xxxxx

Part numbers affected

Description	Old part number	New part number
Electrical displacement control gasket	140879	11173377
Manual displacement control gasket	11159911	11173377

Parts disposition ■ Non-interchangeable - may substitute new for old



Notes



Notes



Products we offer:

- Bent Axis Motors
- Closed Circuit Axial Piston Pumps and Motors
- Displays
- Electrohydraulic Power Steering
- Electrohydraulics
- Hydraulic Power Steering
- Integrated Systems
- Joysticks and Control Handles
- Microcontrollers and Software
- Open Circuit Axial Piston Pumps
- Orbital Motors
- PLUS+1® GUIDE
- Proportional Valves
- Sensors
- Steering
- Transit Mixer Drives

Danfoss Power Solutions is a global manufacturer and supplier of high-quality hydraulic and electronic components. We specialize in providing state-of-the-art technology and solutions that excel in the harsh operating conditions of the mobile off-highway market. Building on our extensive applications expertise, we work closely with our customers to ensure exceptional performance for a broad range of off-highway vehicles.

We help OEMs around the world speed up system development, reduce costs and bring vehicles to market faster.

Danfoss – Your Strongest Partner in Mobile Hydraulics.

Go to www.powersolutions.danfoss.com for further product information.

Wherever off-highway vehicles are at work, so is Danfoss.

We offer expert worldwide support for our customers, ensuring the best possible solutions for outstanding performance. And with an extensive network of Global Service Partners, we also provide comprehensive global service for all of our components.

Please contact the Danfoss Power Solution representative nearest you.

Comatrol

www.comatrol.com

Turolla

www.turollaocg.com

Hydro-Gear

www.hydro-gear.com

Daikin-Sauer-Danfoss

www.daikin-sauer-danfoss.com

Local address:

Danfoss Power Solutions US Company

2800 East 13th Street
Ames, IA 50010, USA
Phone: +1 515 239 6000

Danfoss Power Solutions GmbH & Co. OHG

Krokamp 35
D-24539 Neumünster, Germany
Phone: +49 4321 871 0

Danfoss Power Solutions ApS

Nordborgvej 81
DK-6430 Nordborg, Denmark
Phone: +45 7488 2222

Danfoss Power Solutions

22F, Block C, Yishan Rd
Shanghai 200233, China
Phone: +86 21 3418 5200

Danfoss can accept no responsibility for possible errors in catalogues, brochures and other printed material. Danfoss reserves the right to alter its products without notice. This also applies to products already on order provided that such alterations can be made without subsequential changes being necessary in specifications already agreed. All trademarks in this material are property of the respective companies. Danfoss and the Danfoss logotype are trademarks of Danfoss A/S. All rights reserved.