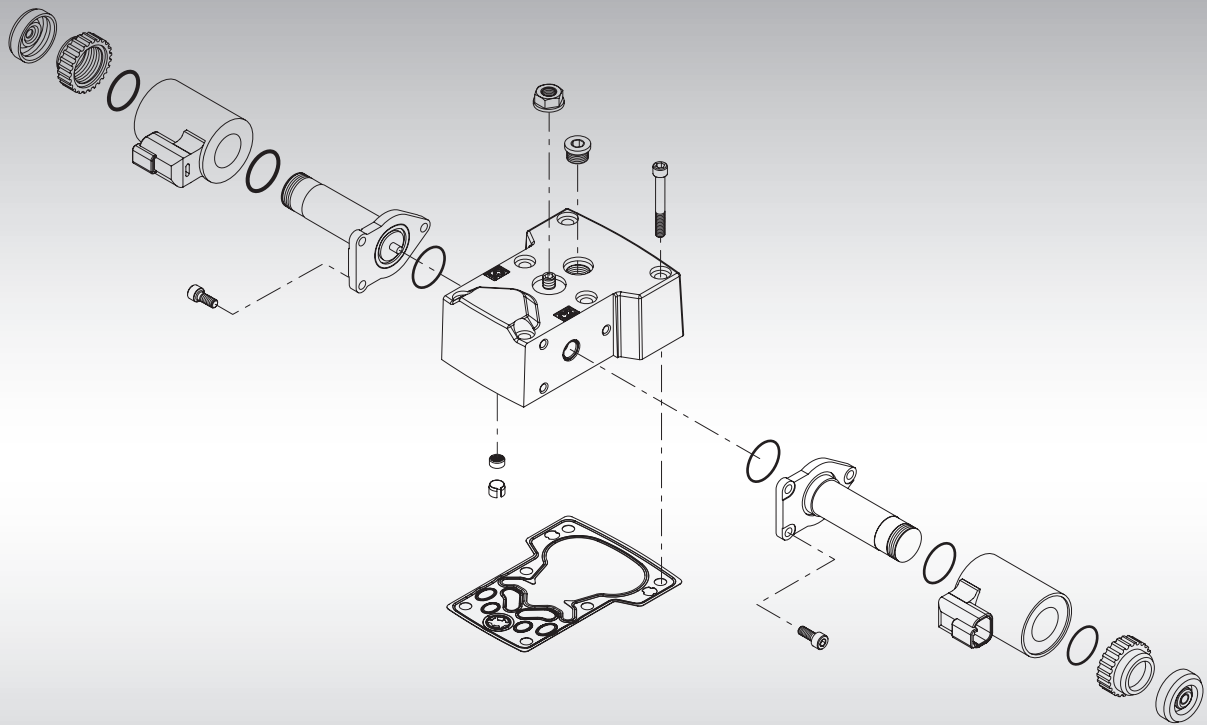




Parts Manual

H1P 210 & 250cc

Variable Displacement Pump







Contents

General Information	Service parts identification.....	4
	Nameplate	4
	Date code	5
	Service bulletins.....	5
	Procedure to identify a part.....	5
	Adobe Acrobat 2-page viewing.....	6
	Order code	7
Variable displacement pump	Common parts	8-9
	Special hardware	8-9
	Control.....	10-53
	Displacement limitation	54-55
	Orifice	56-57
	End cap.....	58-63
	Housing.....	64-65
	Shaft	66-67
	Auxiliary mounting	68-71
	High pressure setting, port A	72-79
	High pressure setting, port B	78-85
	Charge pump.....	84-85
	Filtration.....	86-87
	Charge pressure relief.....	88-89
ISL setting.....	88-91	
Overhaul seal kit	92	
Service bulletins	SB-2016-028 (Swashplate feedback link).....	93
	SB-2016-033 (control gasket).....	94
	SB-2016-034 (overhaul seal kit).....	95



General information

Service parts identification

The following information and procedure is used to identify the module group, item number, manufacture date, part number, and part name of the parts included in the H1 210 and 250 cc variable displacement pumps.

The parts listed include all parts which may be used when performing either “Minor Repairs”, “Major Repairs” or “Conversions” on the H1 210 and 250 cc pump.

Nameplate

Each unit will have a nameplate affixed to the housing. The nameplate will include the following information.

Model Code

The Sauer-Danfoss model code completely defines the specific unit and must be used when ordering parts to service this product.

Model Number

The Sauer-Danfoss model number is used by the factory in manufacturing. On repeat orders, a complete unit can be ordered by the model number.

Serial Number

The Sauer-Danfoss serial number is used to identify the manufacture date and the unit sequence in the build. The serial number is also used to identify the units warranty time period.

The letter code indicates the location of original manufacture (assembly). “N” indicates the unit was originally assembled in Neumuenster, Germany.

The first number (2 digits) indicates the year of manufacture. (“14” would indicate the unit was manufactured in 2014)

The second number (2 digits) indicates the calendar week of manufacture.

The third number (5 digits) is a sequential number used to identify a specific unit.





General information

Date code

The date code is defined as the year and week of manufacture. The same item number may list more than one part number. This indicates that there is more than one configuration for that item number. You will see that there are different date codes for the different part numbers. Find the date code of your unit from the nameplate to determine which service part number you need to order.

EXAMPLE: The service part desired is Item G30

Order Code	Item	Date Begin	Date End	Part Number	Part Name	Qty. per Model/Kit
80	G30	89-17		8000243	End cap gasket	1
	G30	87-02	89-16	8000151	End cap gasket (SB-1995-006)	1

All units using this order code with a date code of 87-02 and up to and including 89-16, must use part number "8000151". All units with a date code of 89-17 and newer must use part number "8000243".

Service bulletins

A Service Bulletin Number (SB-____-____) may follow the "Part Name" of the part you desire. You must read that Service Bulletin prior to ordering that part. The information contained in these Service Bulletins, as of the print date of this bulletin, are included at the end of this manual. Service Bulletins contain more detailed information such as interchangeability, what additional parts are involved, etc. It is suggested that you add additional Service Bulletins to this manual as you receive them.

Procedure to identify a part

General

The modular design of H1 units results in a simplified service parts list and part number identification procedure.

The same item numbers are used for same part names on all units within a product type. (Example: The lip seal - Item J250 has the same item number on all pumps.)

A part number that has another number following it in parentheses is done to make this a world wide manual. The first number is sold in Germany. The number in parentheses is sold in the United States. (Example: 314583 (9008000-0118), customers would order 9008000-0118 if ordering the part in the United States.)

Example of a Part Identification

The nameplate on an H1 pump has an Order Code of H1P250 R A A A3 C1 N D8 C **F8** E2 L 42 L 42 W P 24 PN NNN NNN. Use the following procedures to determine the part number of the drive shaft used on this pump.

- 1) Referring to the input shaft module in the Order Code (see page 7), the input shaft option for this pump is identified by the code "F8". (H1P250 R A A A3 C1 N D8 C **F8** E2 L 42 L 42 W P 24 PN NNN NNN)
- 2) Referring to the Service Parts List, find the shaft group. Next find the order code that relates to this unit, which is "F8". The shaft is found to be item J100 and part number 11088222.

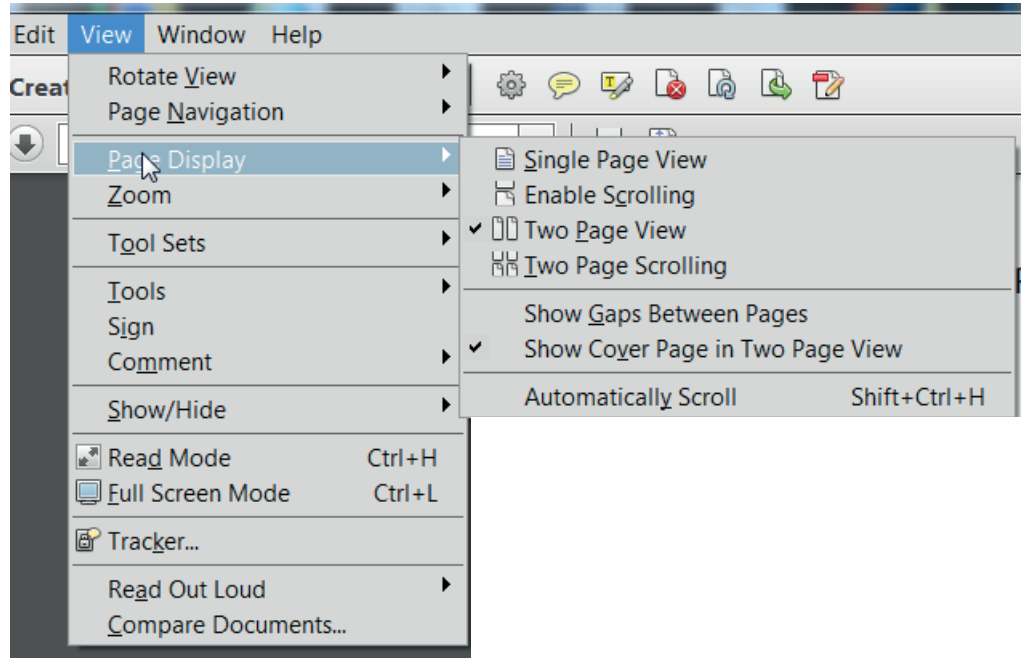


Adobe Acrobat 2-page viewing

Adobe Acrobat 2-page viewing

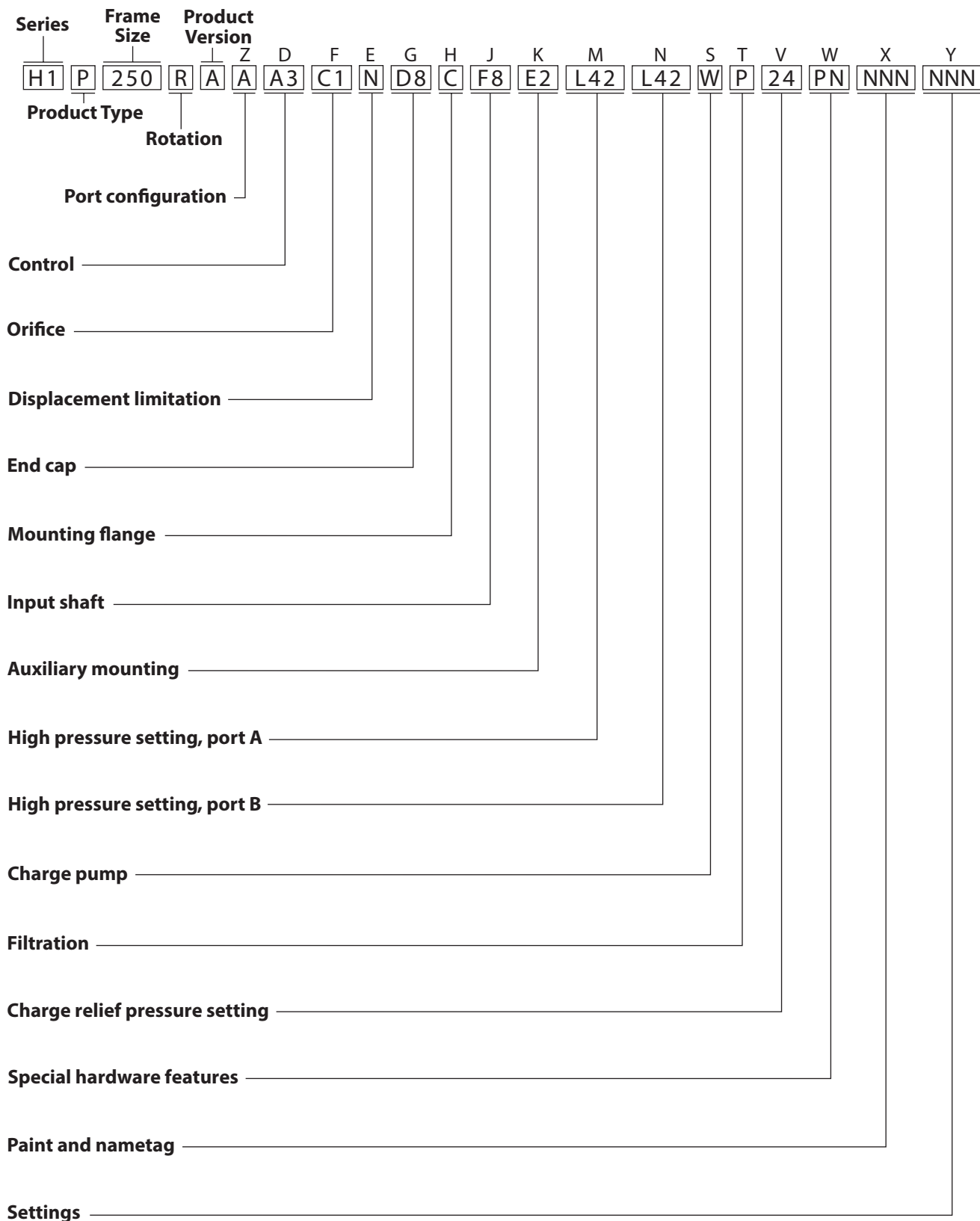
While viewing manual in Adobe Acrobat, the following settings need to be applied to ensure proper page display.

1. Select "View" --> "Page Display" --> "Two Page View"
2. Select "View" --> "Page Display" --> "Show Cover Page in Two Page View"





Order code

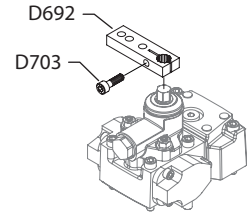




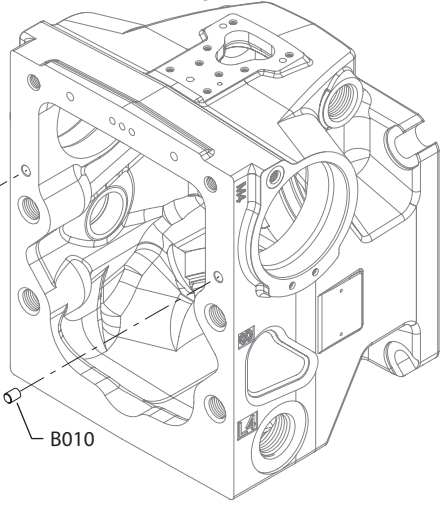
Variable displacement pump

(H1)

Generic control and housing used to show part location only.



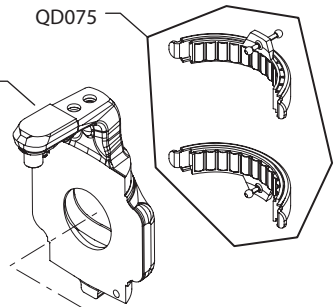
B010



B010

QD075

D070



(H1, P1 and PN)

(P2 and P4)

C010

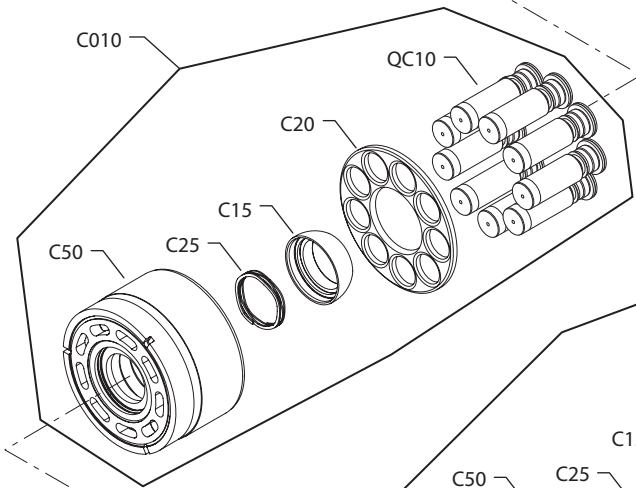
QC10

C20

C15

C50

C25



QC10

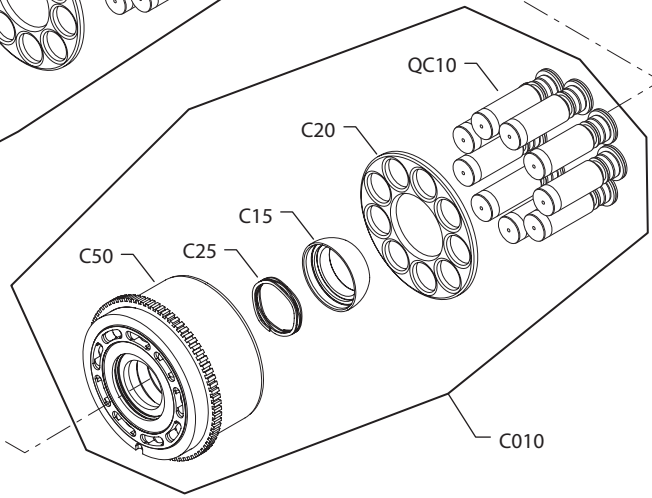
C20

C15

C50

C25

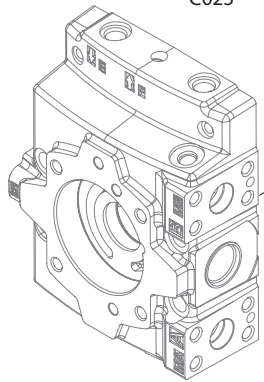
C010



C025



C020



E103 355E


Variable displacement pump
Common parts

Order Code	Item	Date Begin	Date End	Part Number	Part Name	Qty. per Model/Kit
	B010	14-01		9004800-3708	Dowel pin	2
	C020	14-01		141128	Valve plate pin, CCW	1
	C020	14-01		141126	Valve plate pin, CW	1
	C15	14-01		11121506	Slipper retainer ball guide	1
	C20	14-01		11027714	Slipper retainer, 210cc	1
	C20	14-01		11027716	Slipper retainer, 250cc	1
	C25	14-01		11032034	Spring washer	1
	D070	14-01		11031983	Swashplate	1
	QC10	14-01		11070646	Slipper/piston kit, 210 cc	1
	QC10	14-01		11070648	Slipper/piston kit, 250 cc	1
	QD075	14-01		11070642	Swashplate bearing kit	1

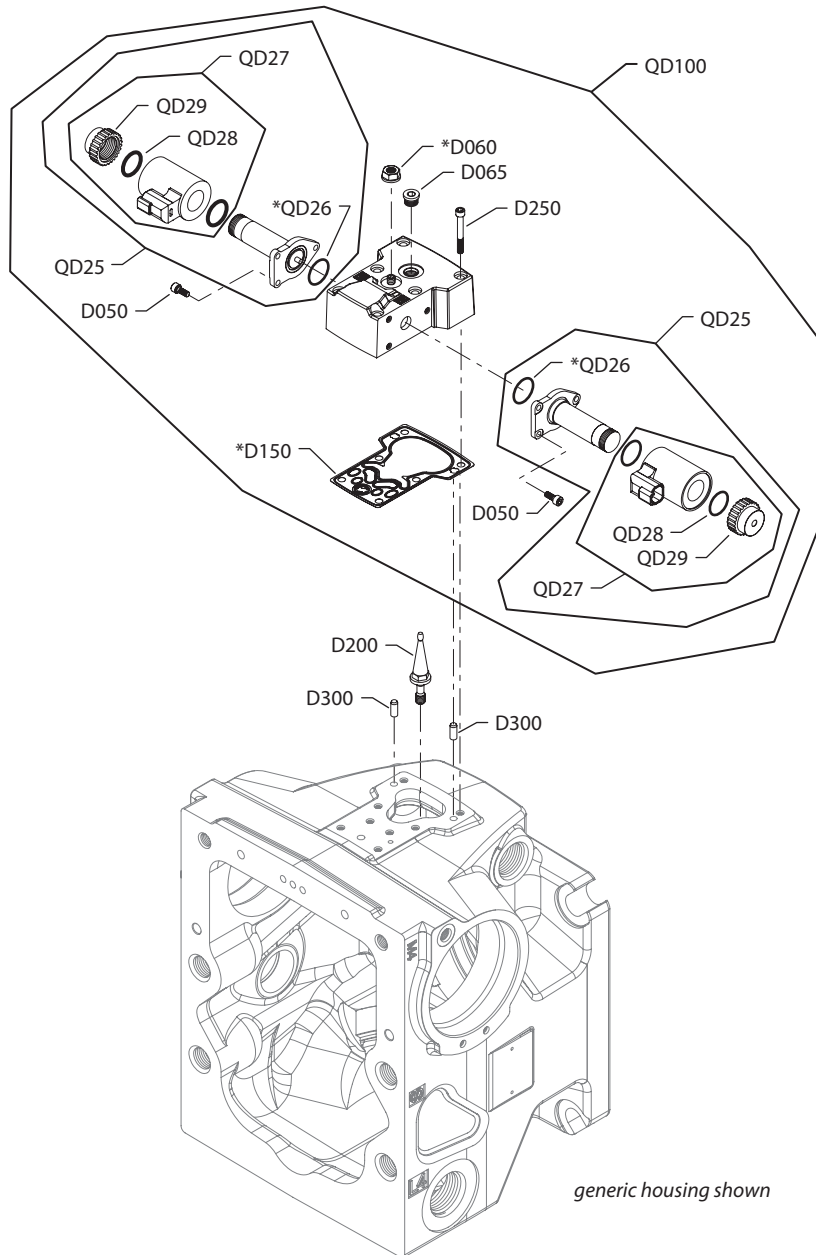
Special hardware

H1	C010	14-01		11027686	Cylinder block kit, 210 cc	1
	C010	14-01		11027687	Cylinder block kit, 250 cc	1
	C025	14-01		11083068	Valve plate, CCW	1
	C025	14-01		11083069	Valve plate, CW	1
	C50	14-01		11124498	Cylinder block assembly, 210 cc	1
	C50	14-01		11124500	Cylinder block assembly, 250 cc	1
	D692	14-011		11185938	Control handle	1
	D703	14-011		11173701	Screw, M6 x 20	1
P1	C010	15-14		11027686	Cylinder block kit, 210 cc	1
	C010	15-14		11027687	Cylinder block kit, 250 cc	1
	C025	15-14		11083057	Valve plate, CCW	1
	C025	15-14		11083065	Valve plate, CW	1
	C50	15-14		11124498	Cylinder block assembly, 210 cc	1
	C50	15-14		11124500	Cylinder block assembly, 250 cc	1
P2	C010	14-01		11083141	Cylinder block kit w/speed ring, 210 cc	1
	C010	14-01		11083140	Cylinder block kit w/speed ring, 250 cc	1
	C025	14-01		11083057	Valve plate, CCW	1
	C025	14-01		11083065	Valve plate, CW	1
	C50	14-01		11124499	Cylinder block w/speed ring assembly, 210 cc	1
	C50	14-01		11124501	Cylinder block w/speed ring assembly, 250 cc	1
P4	C010	14-01		11083141	Cylinder block kit w/speed ring, 210 cc	1
	C010	14-01		11083140	Cylinder block kit w/speed ring, 250 cc	1
	C025	14-01		11083068	Valve plate, CCW	1
	C025	14-01		11083069	Valve plate, CW	1
	C50	14-01		11124499	Cylinder block assembly, speed ring, 210 cc	1
	C50	14-01		11124501	Cylinder block assembly, speed ring, 250 cc	1
PN	C010	14-01		11027686	Cylinder block kit, 210 cc	1
	C010	14-01		11027687	Cylinder block kit, 250 cc	1
	C025	14-01		11083068	Valve plate, CCW	1
	C025	14-01		11083069	Valve plate, CW	1
	C50	14-01		11124498	Cylinder block assembly, 210 cc	1
	C50	14-01		11124500	Cylinder block assembly, 250 cc	1



Variable displacement pump

(A2 & A3)



E100 912E

* = included in overhaul seal kit Q210

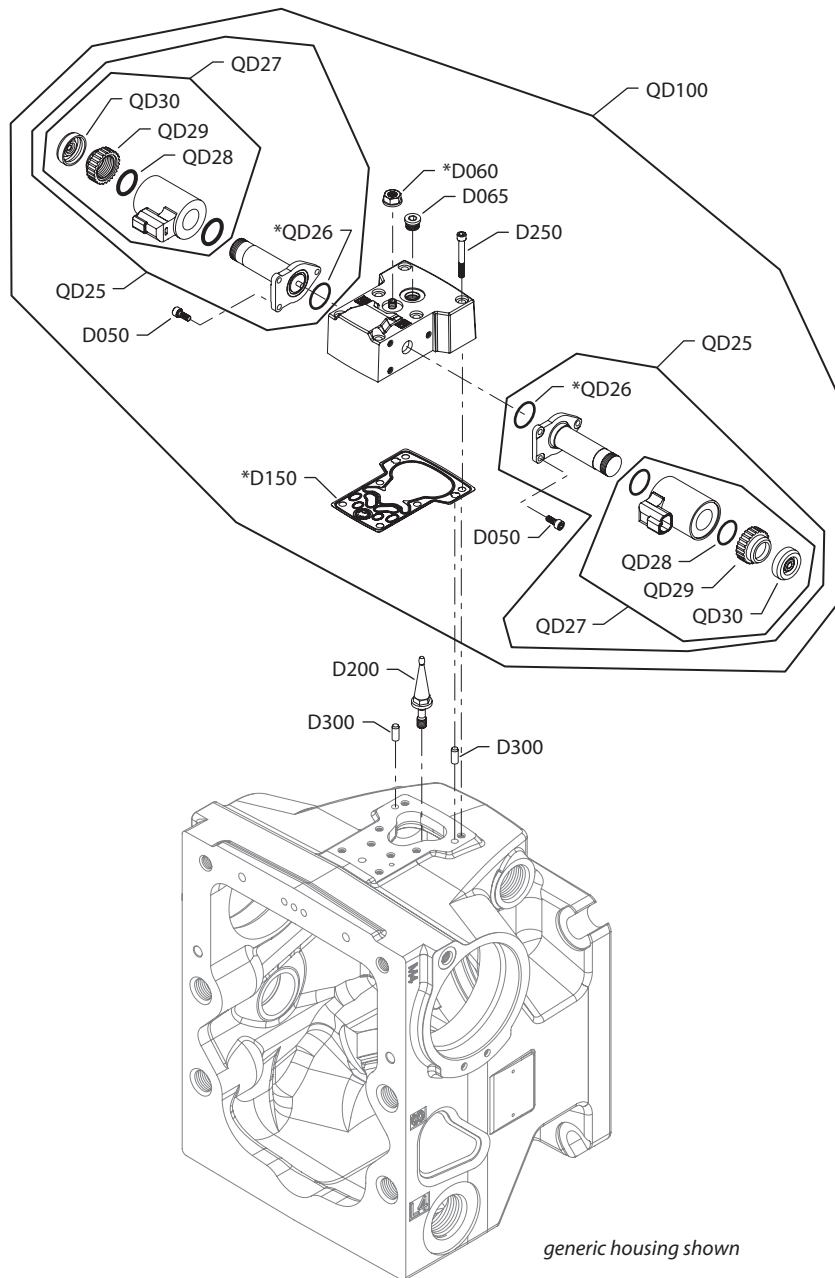

Variable displacement pump
Control

Order Code	Item	Date Begin	Date End	Part Number	Part Name	Qty. per Model/Kit
A2	D050	14-01		716860	Screw, M5 x 12	6
	D060	14-01		612291 (9003508-0008)	Seal nut, M8	1
	D065	14-01		140642	Plug assembly	1
	D150	14-01		11173377	Control gasket (SB-2016-033)	1
	D200	14-01		11148827	Swashplate feedback link (SB-2016-028)	1
	D250	14-01		505038	Screw, M6 x 45	6
	D300	14-01		310979	Dowel pin	2
	QD25	14-01		11012457	Proportional solenoid, 12v	2
	QD26	14-01		11001952	O-ring	2
	QD27	14-01		11028018	Coil kit, 12v, Deutsch connector	2
	QD28	14-01		063172	O-ring	2
	QD29	14-01		11027046	Coil nut	2
	QD100	14-01		11019680	EDC kit, 12v, Deutsch connector, fast	1
	A3	D050	14-01		716860	Screw, M5 x 12
D060		14-01		612291 (9003508-0008)	Seal nut, M8	1
D065		14-01		140642	Plug assembly	1
D150		14-01		11173377	Control gasket (SB-2016-033)	1
D200		14-01		11148827	Swashplate feedback link (SB-2016-028)	1
D250		14-01		505038	Screw, M6 x 45	6
D300		14-01		310979	Dowel pin	2
QD25		14-01		11012459	Proportional solenoid, 24v	2
QD26		14-01		11001952	O-ring	2
QD27		14-01		11028019	Coil kit, 24v, Deutsch connector	2
QD28		14-01		063172	O-ring	2
QD29		14-01		11028024	Coil nut	2
QD100		14-01		11019681	EDC kit, 24v, Deutsch connector, fast	1



Variable displacement pump

(A4 & A5)



E100 992E

* = included in overhaul seal kit Q210

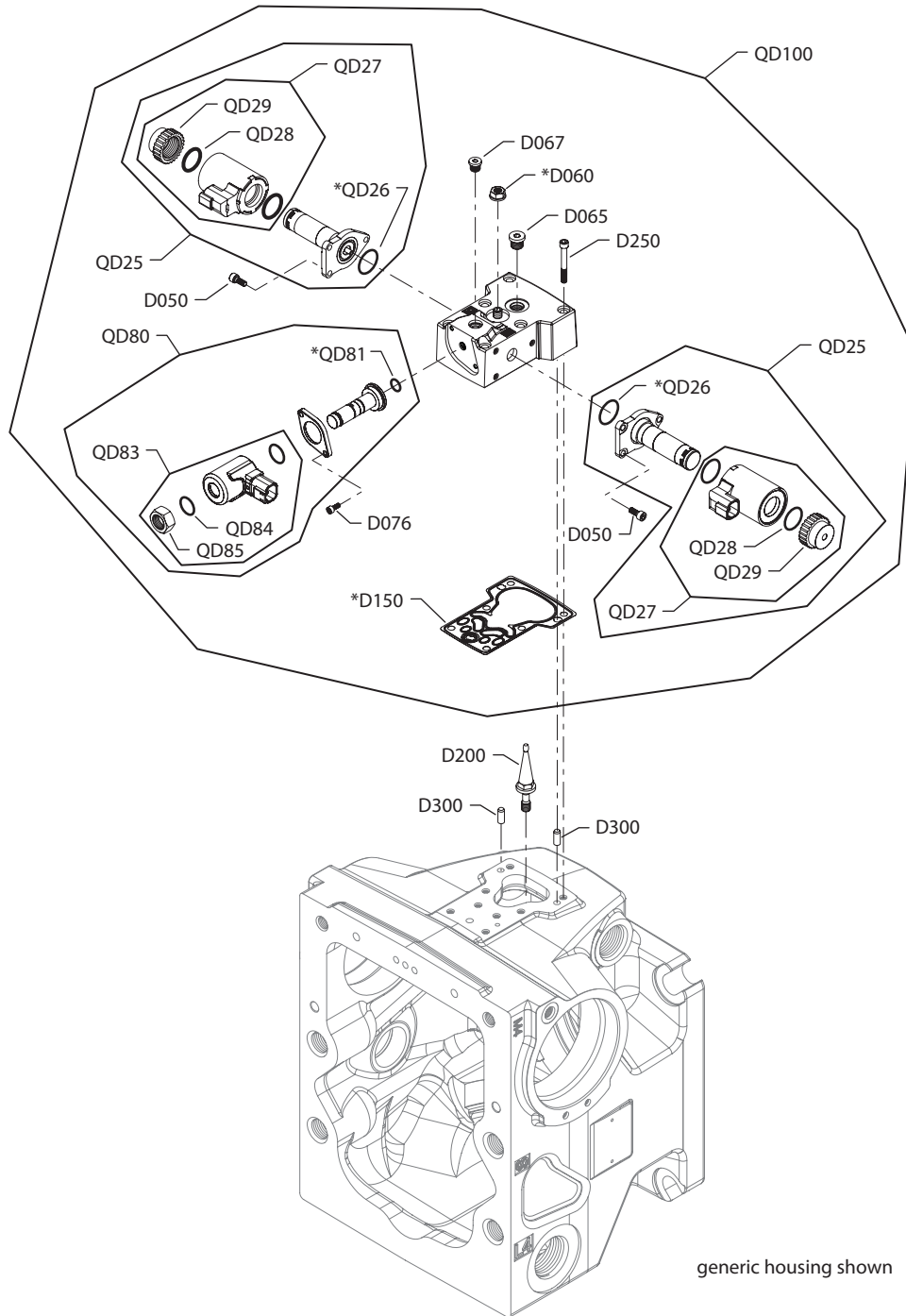

Variable displacement pump
Control

Order Code	Item	Date Begin	Date End	Part Number	Part Name	Qty. per Model/Kit
A4	D050	14-01		716860	Screw, M5 x 12	6
	D060	14-01		612291 (9003508-0008)	Seal nut, M8	1
	D065	14-01		140642	Plug assembly	1
	D150	14-01		11173377	Control gasket (SB-2016-033)	1
	D200	14-01		11148827	Swashplate feedback link (SB-2016-028)	1
	D250	14-01		505038	Screw, M6 x 45	6
	D300	14-01		310979	Dowel pin	2
	QD25	14-01		140750	Proportional solenoid, 12v	2
	QD26	14-01		11001952	O-ring	2
	QD27	14-01		11004698	Coil kit, 12v, Deutsch connector	2
	QD28	14-01		063172	O-ring	2
	QD29	14-01		11004749	Coil nut	2
	QD30	14-01		11027883	Cap	2
	QD100	14-01		11019732	EDC kit, 12v, Deutsch connector, fast, manual override	1
	A5	D050	14-01		716860	Screw, M5 x 12
D060		14-01		612291 (9003508-0008)	Seal nut, M8	1
D065		14-01		140642	Plug assembly	1
D150		14-01		11173377	Control gasket (SB-2016-033)	1
D200		14-01		11148827	Swashplate feedback link (SB-2016-028)	1
D250		14-01		505038	Screw, M6 x 45	6
D300		14-01		310979	Dowel pin	2
QD25		14-01		140751	Proportional solenoid, 24v	2
QD26		14-01		11001952	O-ring	2
QD27		14-01		11004700	Coil kit, 24v, Deutsch connector	2
QD28		14-01		063172	O-ring	2
QD29		14-01		11004750	Coil nut	2
QD30		14-01		11027883	Cap	2
QD100		14-01		11019733	EDC kit, 24v, Deutsch connector, fast, manual override	1



Variable displacement pump

(E6 & E7)



generic housing shown

E103 422E

* = included in overhaul seal kit Q210

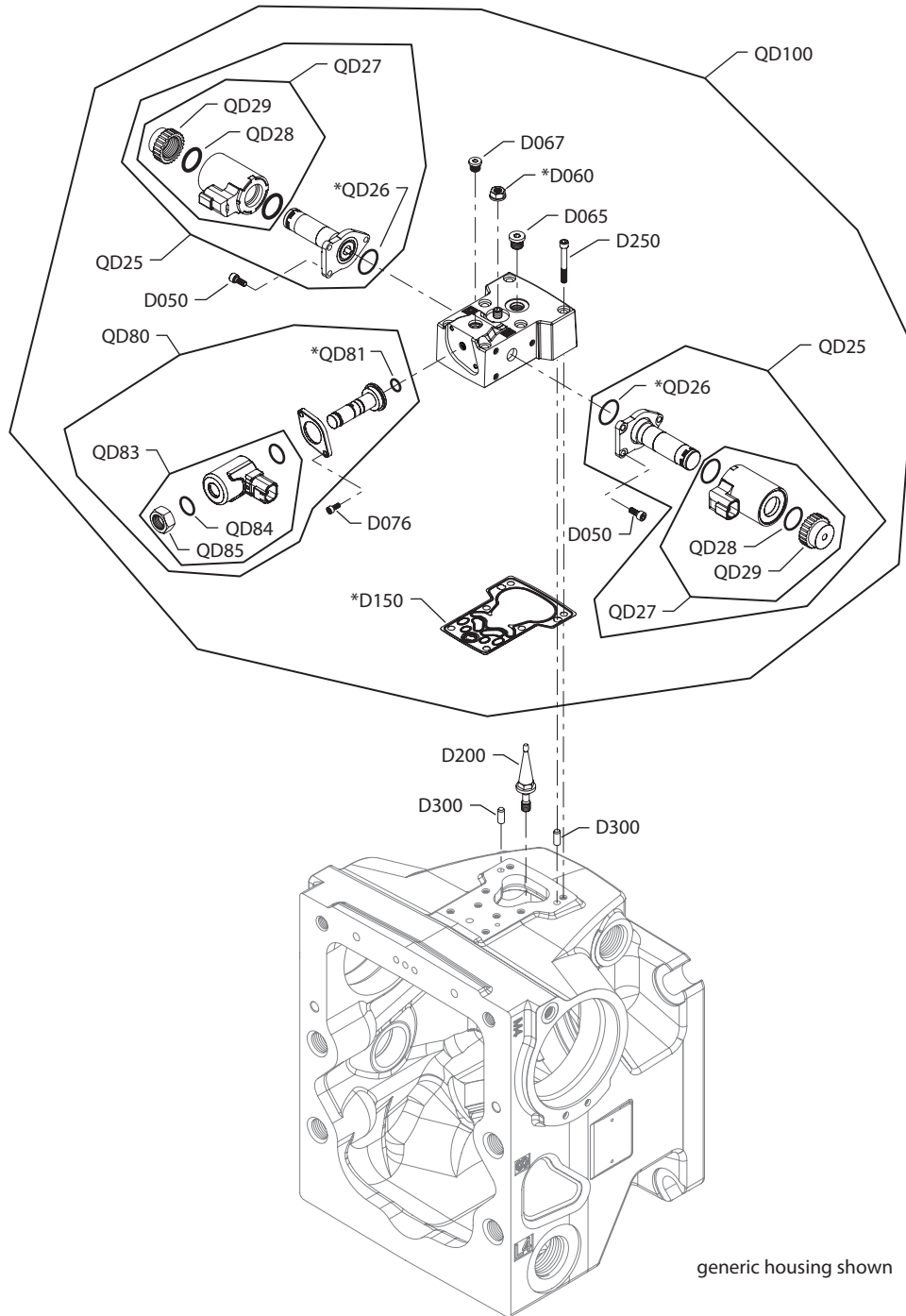

Variable displacement pump
Control

Order Code	Item	Date Begin	Date End	Part Number	Part Name	Qty. per Model/Kit
E6	D050	14-01		716860	Screw, M5 x 12	6
	D060	14-01		612291 (9003508-0008)	Seal nut, M8	1
	D065	14-01		140642	Plug assembly	1
	D067	14-01		140642	Plug assembly	1
	D076	14-01		067694	Screw, M4 x 10	2
	D150	14-01		11173377	Control gasket (SB-2016-033)	1
	D200	14-01		11148827	Swashplate feedback link (SB-2016-028)	1
	D250	14-01		505038	Screw, M6 x 45	6
	D300	14-01		310979	Dowel pin	2
	QD25	14-01		11012459	Proportional solenoid, 24v	2
	QD26	14-01		11001952	O-ring	2
	QD27	14-01		11028019	Coil kit, 24v, Deutsch connector	2
	QD28	14-01		063172	O-ring	2
	QD29	14-01		11028024	Coil nut	2
	QD80	14-01		11129915	Solenoid vale, on/off, 24v	1
	QD81	14-01		11152257	O-ring	1
	QD83	14-01		11147332	Coil kit, 24v	1
	QD84	14-01		11140393	O-ring	1
	QD85	14-01		11140394	Coil nut	1
	QD100	14-01		11147423	EDC kit, 24v, CCO	1
E7	D050	14-01		716860	Screw, M5 x 12	6
	D060	14-01		612291 (9003508-0008)	Seal nut, M8	1
	D065	14-01		140642	Plug assembly, (SAE port configuration)	1
	D067	14-01		140642	Plug assembly, (SAE port configuration)	1
	D076	10-27		067694	Screw, M4 x 10	2
	D150	14-01		11173377	Control gasket (SB-2016-033)	1
	D200	14-01		11148827	Swashplate feedback link (SB-2016-028)	1
	D250	14-01		505038	Screw, M6 x 45	6
	D300	14-01		310979	Dowel pin	2
	QD25	14-01		11012457	Proportional solenoid, 12v	2
	QD26	14-01		11001952	O-ring	2
	QD27	14-01		11028018	Coil kit, 12v, Deutsch connector	2
	QD28	14-01		063172	O-ring	2
	QD29	14-01		11027046	Coil nut	2
	QD80	14-01		11129914	Solenoid vale, on/off, 12v	1
	QD81	14-01		11152257	O-ring	1
	QD83	14-01		11147301	Coil kit, 12v	1
	QD84	14-01		11140393	O-ring	1
	QD85	14-01		11140394	Coil nut	1
	QD100	14-01		11147471	EDC kit, 12v, CCO, (SAE port configuration)	1



Variable displacement pump

(E7 & E8)



generic housing shown

E103 422E

* = included in overhaul seal kit Q210

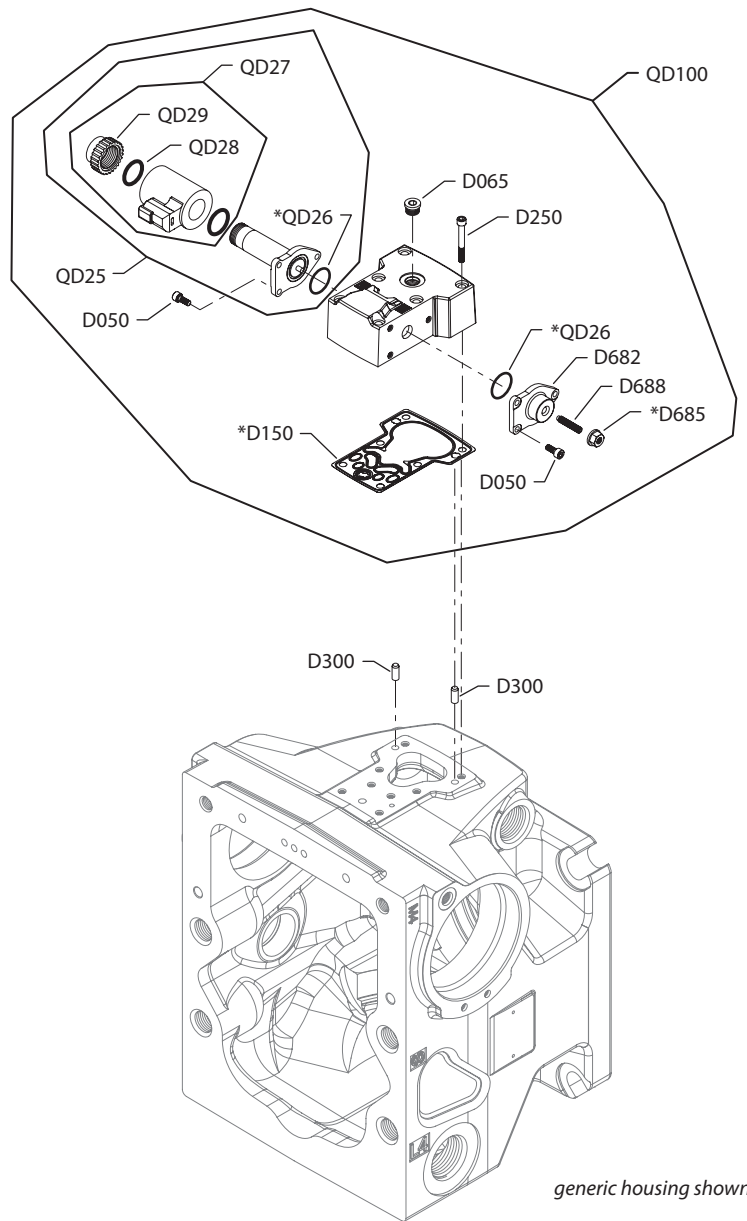

Variable displacement pump
Control

Order Code	Item	Date Begin	Date End	Part Number	Part Name	Qty. per Model/Kit
E7	D050	16-09		716860	Screw, M5 x 12	6
(metric)	D060	16-09		612291 (9003508-0008)	Seal nut, M8	1
	D065	16-09		5000572	Plug assembly, (metric port configuration)	1
	D067	16-09		5000572	Plug assembly, (metric port configuration)	1
	D076	16-09		067694	Screw, M4 x 10	2
	D150	16-09		11173377	Control gasket (SB-2016-033)	1
	D200	16-09		11148827	Swashplate feedback link (SB-2016-028)	1
	D250	16-09		505038	Screw, M6 x 45	6
	D300	16-09		310979	Dowel pin	2
	QD25	16-09		11012457	Proportional solenoid, 12v	2
	QD26	16-09		11001952	O-ring	2
	QD27	16-09		11028018	Coil kit, 12v, Deutsch connector	2
	QD28	16-09		063172	O-ring	2
	QD29	16-09		11027046	Coil nut	2
	QD80	16-09		11129914	Solenoid vale, on/off, 12v	1
	QD81	16-09		11152257	O-ring	1
	QD83	16-09		11147301	Coil kit, 12v	1
	QD84	16-09		11140393	O-ring	1
	QD85	16-09		11140394	Coil nut	1
	QD100	16-09		11164610	EDC kit, 12v, CCO, (metric port configuration)	1
E8	D050	14-01		716860	Screw, M5 x 12	6
	D060	14-01		612291 (9003508-0008)	Seal nut, M8	1
	D065	14-01		140642	Plug assembly	1
	D067	14-01		140642	Plug assembly	1
	D076	10-27		067694	Screw, M4 x 10	2
	D150	14-01		11173377	Control gasket (SB-2016-033)	1
	D200	14-01		11148827	Swashplate feedback link (SB-2016-028)	1
	D250	14-01		505038	Screw, M6 x 45	6
	D300	14-01		310979	Dowel pin	2
	QD25	14-01		11012459	Proportional solenoid, 24v	2
	QD26	14-01		11001952	O-ring	2
	QD27	14-01		11028019	Coil kit, 24v, Deutsch connector	2
	QD28	14-01		063172	O-ring	2
	QD29	14-01		11028024	Coil nut	2
	QD80	14-01		11129915	Solenoid vale, on/off, 24v	1
	QD81	14-01		11152257	O-ring	1
	QD83	14-01		11147332	Coil kit, 24v	1
	QD84	14-01		11140393	O-ring	1
	QD85	14-01		11140394	Coil nut	1
	QD100	14-01		11147472	EDC kit, 24v, CCO	1



Variable displacement pump

(F1 & F2)



Warning
 This control is for Fan Drive systems only. Use in other systems could result in unintended movement of machine or its elements. Loss of the input signal to this control will cause the pump to produce maximum flow. Contact Danfoss or an authorized distributor with questions regarding the use of this product.

E101 902E

* = included in overhaul seal kit Q210

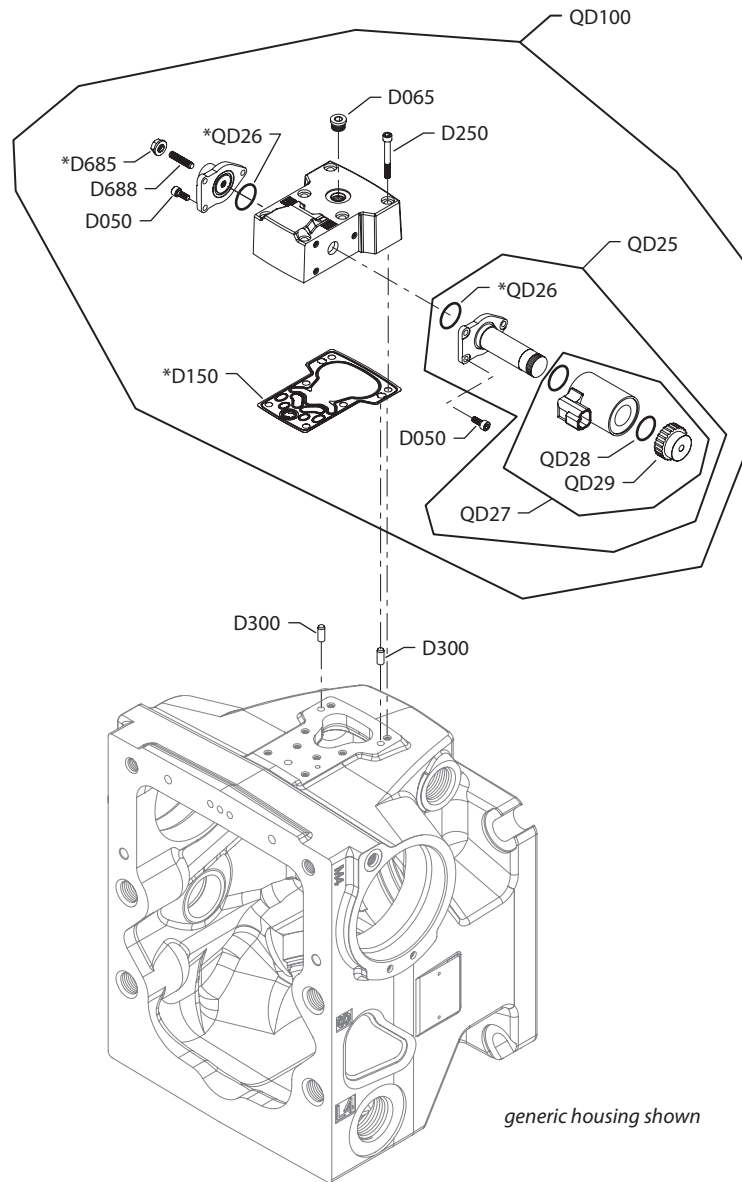

Variable displacement pump
Control

Order Code	Item	Date Begin	Date End	Part Number	Part Name	Qty. per Model/Kit
F1	D050	14-01		716860	Screw, M5 x 12	6
	D065	14-01		140642	Plug assembly	1
	D150	14-01		11173377	Control gasket (SB-2016-033)	1
	D250	14-01		505038	Screw, M6 x 45	6
	D300	14-01		310979	Dowel pin	2
	D682	14-01		11079441	Flange	1
	D685	14-01		612291 (9003508-0008)	Seal nut, M8	1
	D688	14-01		11079453	Adjusting screw	1
	QD25	14-01		11012457	Proportional solenoid, 12v	1
	QD26	14-01		11001952	O-ring	2
	QD27	14-01		11028018	Coil kit, 12v, Deutsch connector	1
	QD28	14-01		063172	O-ring	1
	QD29	14-01		11027046	Coil nut	1
	QD100	14-01		11081306	FDC kit, 12v, Deutsch connector	1
	F2	D050	14-01		716860	Screw, M5 x 12
D065		14-01		140642	Plug assembly	1
D150		14-01		11173377	Control gasket (SB-2016-033)	1
D250		14-01		505038	Screw, M6 x 45	6
D300		14-01		310979	Dowel pin	2
D682		14-01		11079441	Flange	1
D685		14-01		612291 (9003508-0008)	Seal nut, M8	1
D688		14-01		11079453	Adjusting screw	1
QD25		14-01		11012459	Proportional solenoid, 24v	1
QD26		14-01		11001952	O-ring	2
QD27		14-01		11028019	Coil kit, 24v, Deutsch connector	1
QD28		14-01		063172	O-ring	1
QD29		14-01		11028024	Coil nut	1
QD100		14-01		11081307	FDC kit, 24v, Deutsch connector	1



Variable displacement pump

(F4)



E103 554E

* = included in overhaul seal kit Q210

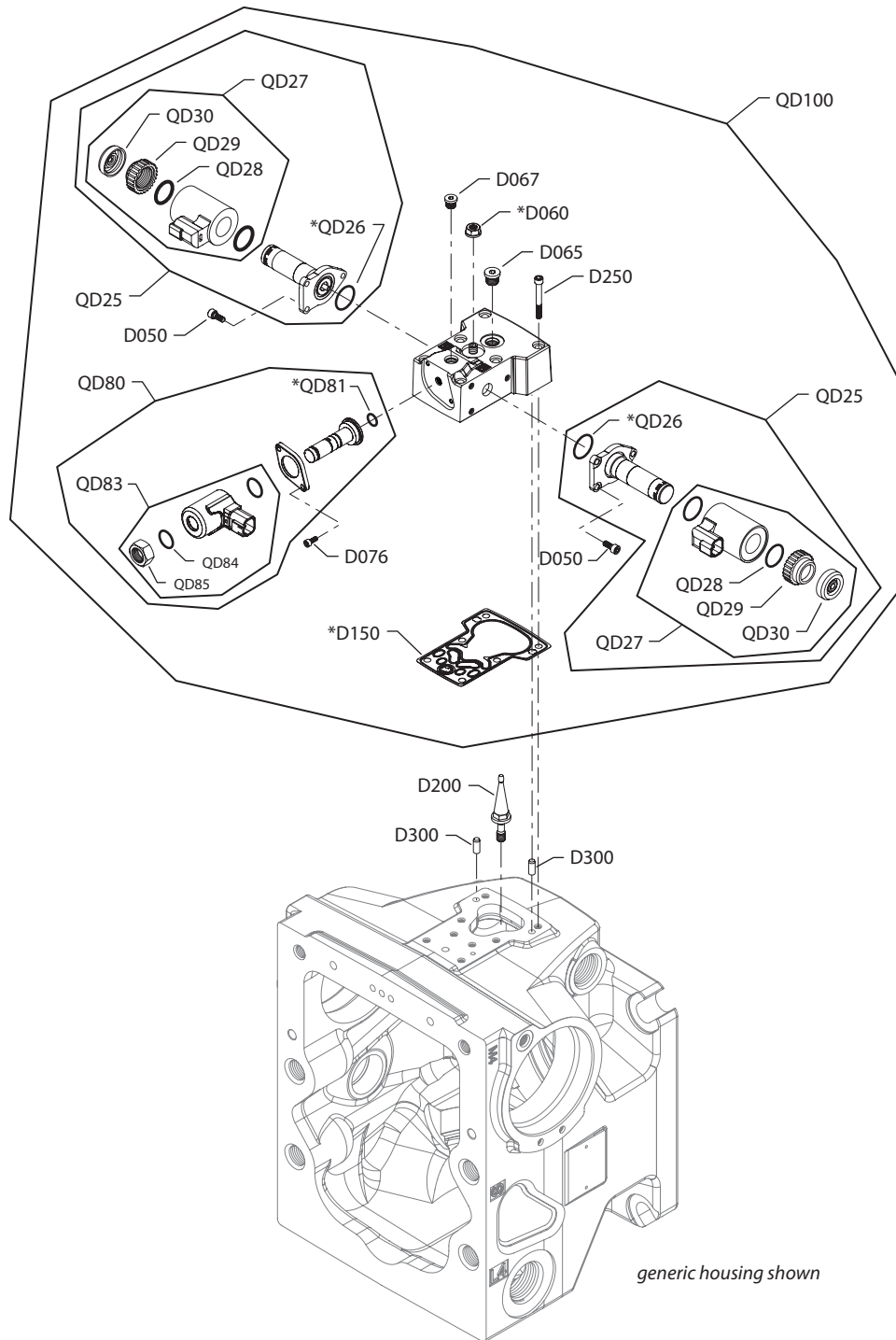

Variable displacement pump
Control

Order Code	Item	Date Begin	Date End	Part Number	Part Name	Qty. per Model/Kit
F4	D050	14-01		716860	Screw, M5 x 12	6
	D065	14-01		140642	Plug assembly	1
	D150	14-01		11173377	Control gasket (SB-2016-033)	1
	D250	14-01		505038	Screw, M6 x 45	6
	D300	14-01		310979	Dowel pin	2
	D682	14-01		11079441	Flange	1
	D685	14-01		612291 (9003508-0008)	Seal nut, M8	1
	D688	14-01		11079453	Adjusting screw	1
	QD25	14-01		11012459	Proportional solenoid, 24v	1
	QD26	14-01		11001952	O-ring	2
	QD27	14-01		11028019	Coil kit, 24v, Deutsch connector	1
	QD28	14-01		063172	O-ring	1
	QD29	14-01		11028024	Coil nut	1
	QD100	14-01		11174982	FDC kit, 24v, Deutsch connector	1



Variable displacement pump

(G8)



E103 421E

* = included in overhaul seal kit Q210



Variable displacement pump

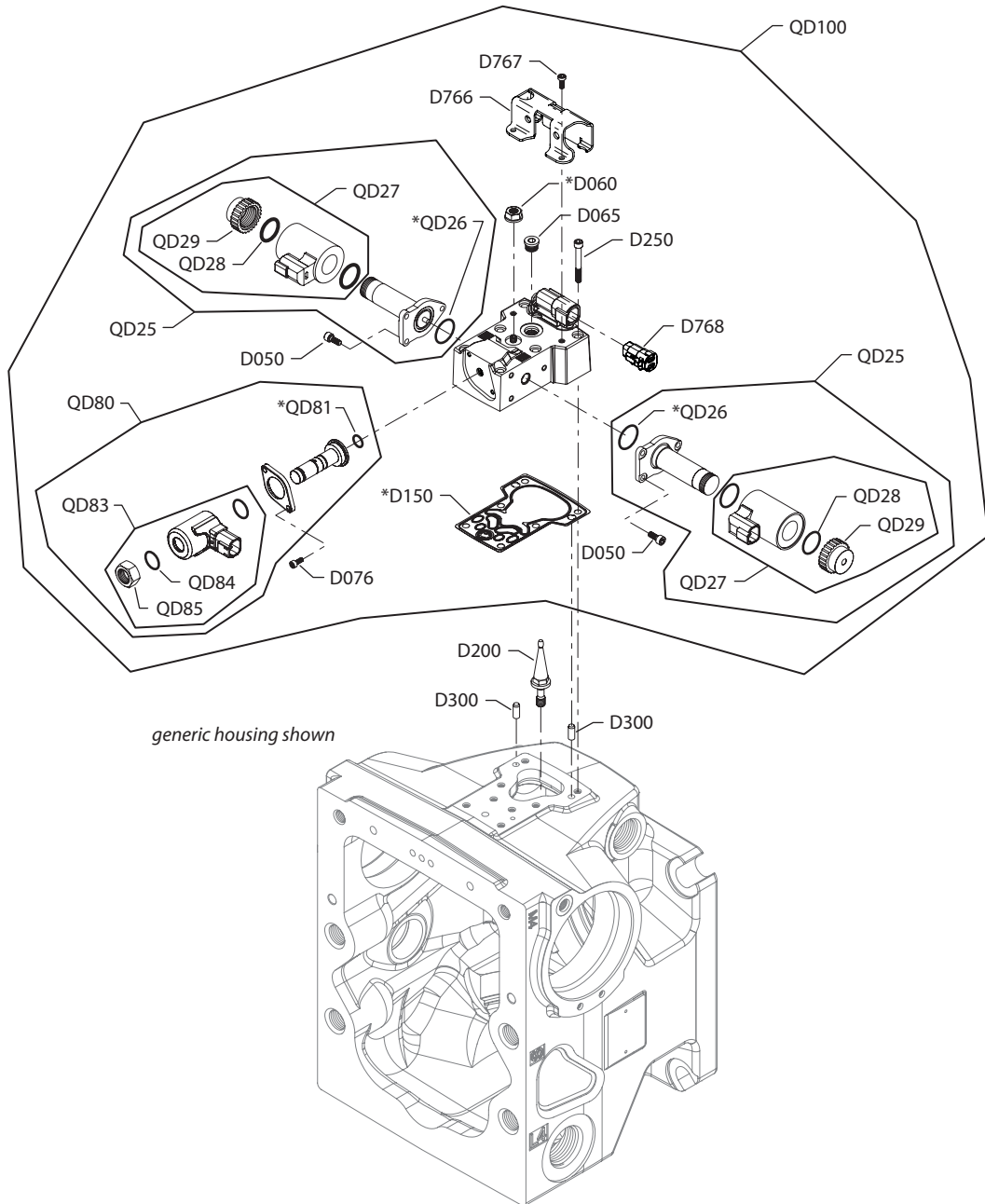
Control

Order Code	Item	Date Begin	Date End	Part Number	Part Name	Qty. per Model/Kit
G8	D050	14-01		716860	Screw, M5 x 12	6
	D060	14-01		612291 (9003508-0008)	Seal nut, M8	1
	D065	14-01		140642	Plug assembly	1
	D067	14-01		140642	Plug assembly	1
	D076	14-01		067694	Screw, M4 x 10	2
	D150	14-01		11173377	Control gasket (SB-2016-033)	1
	D200	14-01		11148827	Swashplate feedback link (SB-2016-028)	1
	D250	14-01		505038	Screw, M6 x 45	6
	D300	14-01		310979	Dowel pin	2
	QD25	14-01		140750	Proportional solenoid, 12v	2
	QD26	14-01		11001952	O-ring	2
	QD27	14-01		11004698	Coil kit, 12v, Deutsch connector	2
	QD28	14-01		063172	O-ring	2
	QD29	14-01		11004749	Coil nut	2
	QD30	10-45		11027883	Cap	2
	QD80	14-01		11129914	Solenoid vale, on/off, 12v	1
	QD81	14-01		11152257	O-ring	1
	QD83	14-01		11147301	Coil kit, 12v	1
	QD84	14-01		11140393	O-ring	1
	QD85	14-01		11140394	Coil nut	1
	QD100	14-01		11155365	EDC kit, 12v, CCO, MOR	1



Variable displacement pump

**(H8)
metric**



E103 646E

* = included in overhaul seal kit Q210


Variable displacement pump
Control

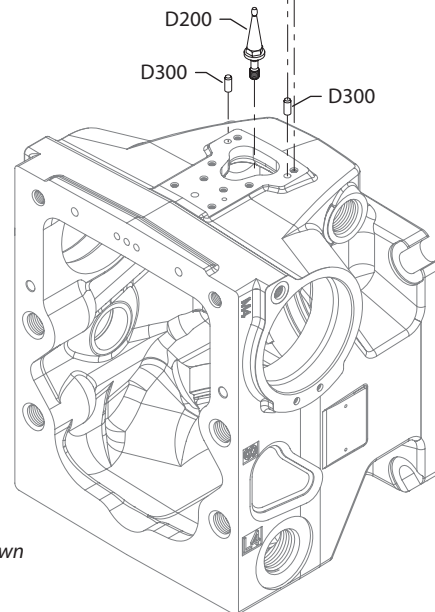
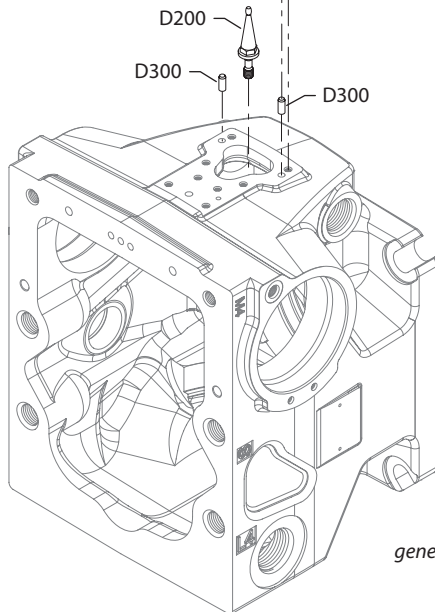
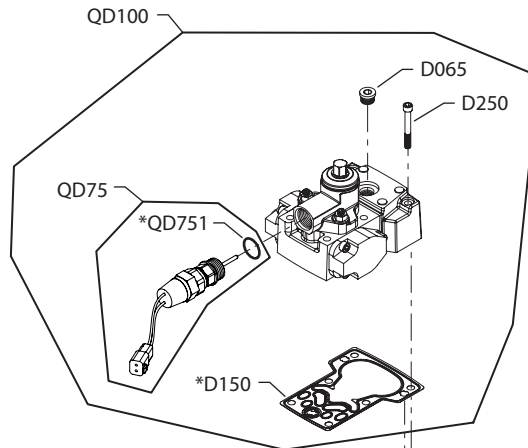
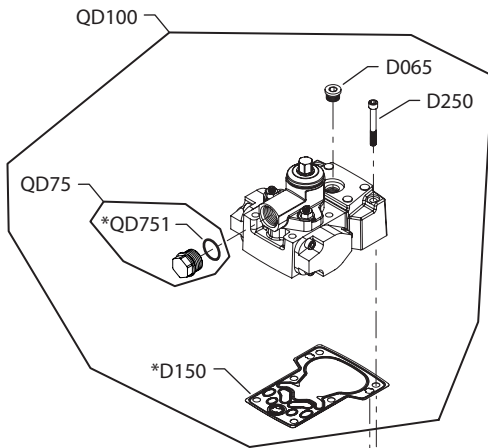
Order Code	Item	Date Begin	Date End	Part Number	Part Name	Qty. per Model/Kit
H8	D050	16-09		716860	Screw, M5 x 12	6
(metric)	D060	16-09		612291 (9003508-0008)	Seal nut, M8	1
	D065	16-09		5000572	Plug assembly, M12	1
	D067	16-09		5000572	Plug assembly, M12	1
	D076	16-09		067694	Screw, M4 x 10	2
	D150	16-09		11173377	Control gasket	1
	D200	16-09		11148827	Swashplate feedback link	1
	D250	16-09		505038	Screw, M6 x 45	6
	D300	16-09		310979	Dowel pin	2
	D766	16-09		11174121	Protective cover	1
	D767	16-09		11167709	Screw, M4 x 10 w/Scotch grip	2
	D768	16-09		11177604	Connector seal	1
	QD25	16-09		11012457	Proportional solenoid, 12v	2
	QD26	16-09		11001952	O-ring	2
	QD27	16-09		11028018	Coil kit, 12v, Deutsch connector	2
	QD28	16-09		063172	O-ring	2
	QD29	16-09		11027046	Coil nut	2
	QD80	16-09		11129914	Solenoid valve, 12v	1
	QD81	16-09		001123	O-ring	1
	QD83	16-09		11136347	Coil kit, 12v	1
	QD84	16-09		11140393	O-ring	1
	QD85	16-09		11140394	Coil nut	1
	QD100	16-09		11182566	EDC kit, 12v, CCO	1



Variable displacement pump

(M1)

(M2)



generic housing shown

E103 357E

* = included in overhaul seal kit Q210

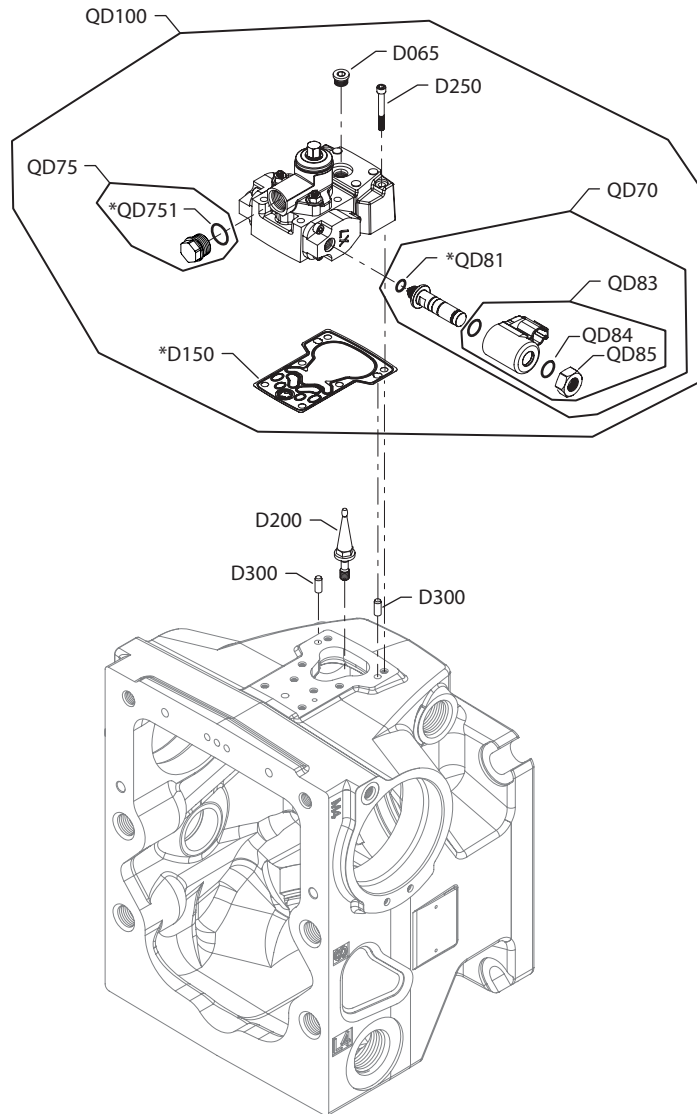

Variable displacement pump
Control

Order Code	Item	Date Begin	Date End	Part Number	Part Name	Qty. per Model/Kit
M1	D065	14-01		140642	Plug assembly	1
	D150	14-01		11173377	Control gasket (SB-2016-033)	1
	D200	14-01		11148827	Swashplate feedback link (SB-2016-028)	1
	D250	14-01		505038	Screw, M6 x 45	6
	D300	14-01		310979	Dowel pin	2
	QD75	14-01		11119332	Spring seat assembly	1
	QD100	14-01		11141225	MDC kit	1
	QD751	14-01		001131 (9004201-5000)	O-ring	1
	M2	D065	14-01		140642	Plug assembly
D150		14-01		11173377	Control gasket (SB-2016-033)	1
D200		14-01		11148827	Swashplate feedback link (SB-2016-028)	1
D250		14-01		505038	Screw, M6 x 45	6
D300		14-01		310979	Dowel pin	2
QD75		14-01		11126847	Spring seat/neutral start switch assembly	1
QD100		14-01		11141236	MDC kit	1
QD751		14-01		001131 (9004201-5000)	O-ring	1



Variable displacement pump

(M3 & M4)



E103 358E

* = included in overhaul seal kit Q210

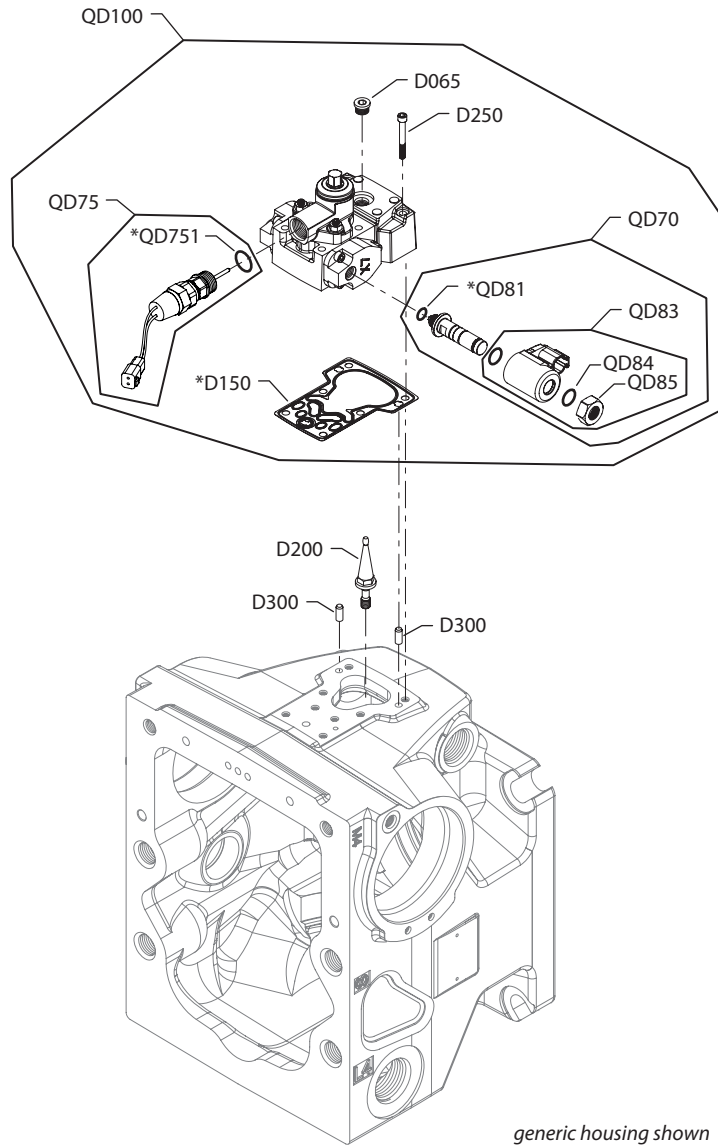

Variable displacement pump
Control

Order Code	Item	Date Begin	Date End	Part Number	Part Name	Qty. per Model/Kit
M3	D065	14-01		140642	Plug assembly	1
	D150	14-01		11173377	Control gasket (SB-2016-033)	1
	D200	14-01		11148827	Swashplate feedback link (SB-2016-028)	1
	D250	14-01		505038	Screw, M6 x 45	6
	D300	14-01		310979	Dowel pin	2
	QD70	14-01		11129916	Solenoid valve, 12v	1
	QD75	14-01		11119332	Spring seat assembly	1
	QD81	14-01		11152257	O-ring	1
	QD83	14-01		11136347	Coil kit, 12v	1
	QD84	14-01		11140393	O-ring	1
	QD85	14-01		11140394	Coil nut	1
	QD100	14-01		11141237	MDC kit, 12v, CCO	1
	QD751	14-01		001131 (9004201-5000)	O-ring	1
	M4	D065	14-01		140642	Plug assembly
D150		14-01		11173377	Control gasket (SB-2016-033)	1
D200		14-01		11148827	Swashplate feedback link (SB-2016-028)	1
D250		14-01		505038	Screw, M6 x 45	6
D300		14-01		310979	Dowel pin	2
D750		14-01		11119332	Spring seat assembly	1
QD70		14-01		11129917	Solenoid valve, 24v	1
QD81		14-01		11152257	O-ring	1
QD83		14-01		11136348	Coil kit, 24v, CCO	1
QD84		14-01		11140393	O-ring	1
QD85		14-01		11140394	Coil nut	1
QD100		14-01		11141238	MDC kit, 24v	1
QD751		14-01		001131 (9004201-5000)	O-ring	1



Variable displacement pump

(M5 & M6)



E103 359E

* = included in overhaul seal kit Q210

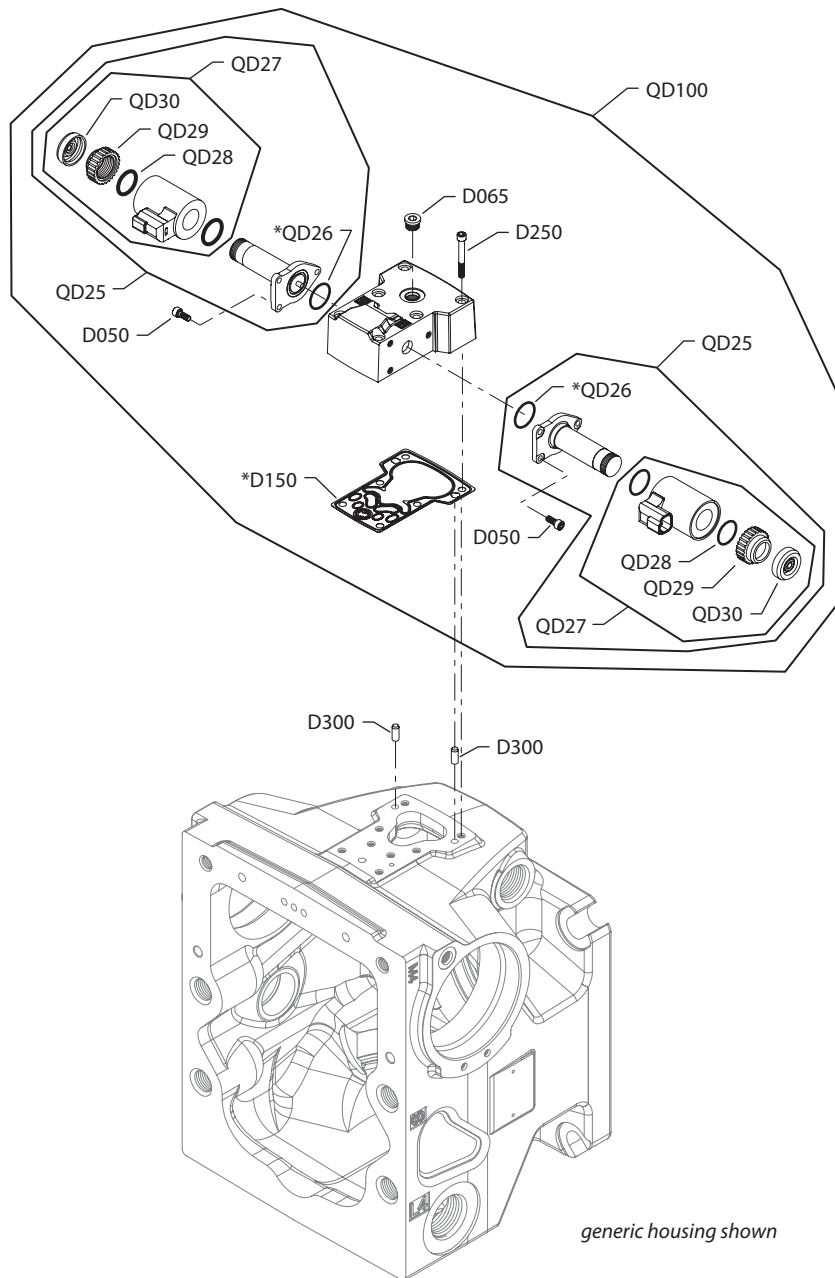

Variable displacement pump
Control

Order Code	Item	Date Begin	Date End	Part Number	Part Name	Qty. per Model/Kit
M5	D065	14-01		140642	Plug assembly	1
	D150	14-01		11173377	Control gasket (SB-2016-033)	1
	D200	14-01		11148827	Swashplate feedback link (SB-2016-028)	1
	D250	14-01		505038	Screw, M6 x 45	6
	D300	14-01		310979	Dowel pin	2
	QD70	14-01		11129916	Solenoid valve, 12v	1
	QD75	14-01		11126847	Spring seat/neutral start switch assembly	1
	QD81	14-01		11152257	O-ring	1
	QD83	14-01		11136347	Coil kit, 12v	1
	QD84	14-01		11140393	O-ring	1
	QD85	14-01		11140394	Coil nut	1
	QD100	14-01		11141239	MDC kit, 12v, neutral start switch assembly, CCO	1
	QD751	14-01		001131 (9004201-5000)	O-ring	1
	M6	D065	14-01		140642	Plug assembly
D150		14-01		11173377	Control gasket (SB-2016-033)	1
D200		14-01		11148827	Swashplate feedback link (SB-2016-028)	1
D250		14-01		505038	Screw, M6 x 45	6
D300		14-01		310979	Dowel pin	2
QD70		14-01		11129917	Solenoid valve, 24v	1
QD75		14-01		11126847	Spring seat/neutral start switch assembly	1
QD81		14-01		11152257	O-ring	1
QD83		14-01		11136348	Coil kit, 24v	1
QD84		14-01		11140393	O-ring	1
QD85		14-01		11140394	Coil nut	1
QD100		14-01		11141240	MDC kit, 24v, neutral start switch assembly, CCO	1
QD751		14-01		001131 (9004201-5000)	O-ring	1



Variable displacement pump

(N1 & N2)



E103 635E

* = included in overhaul seal kit Q210

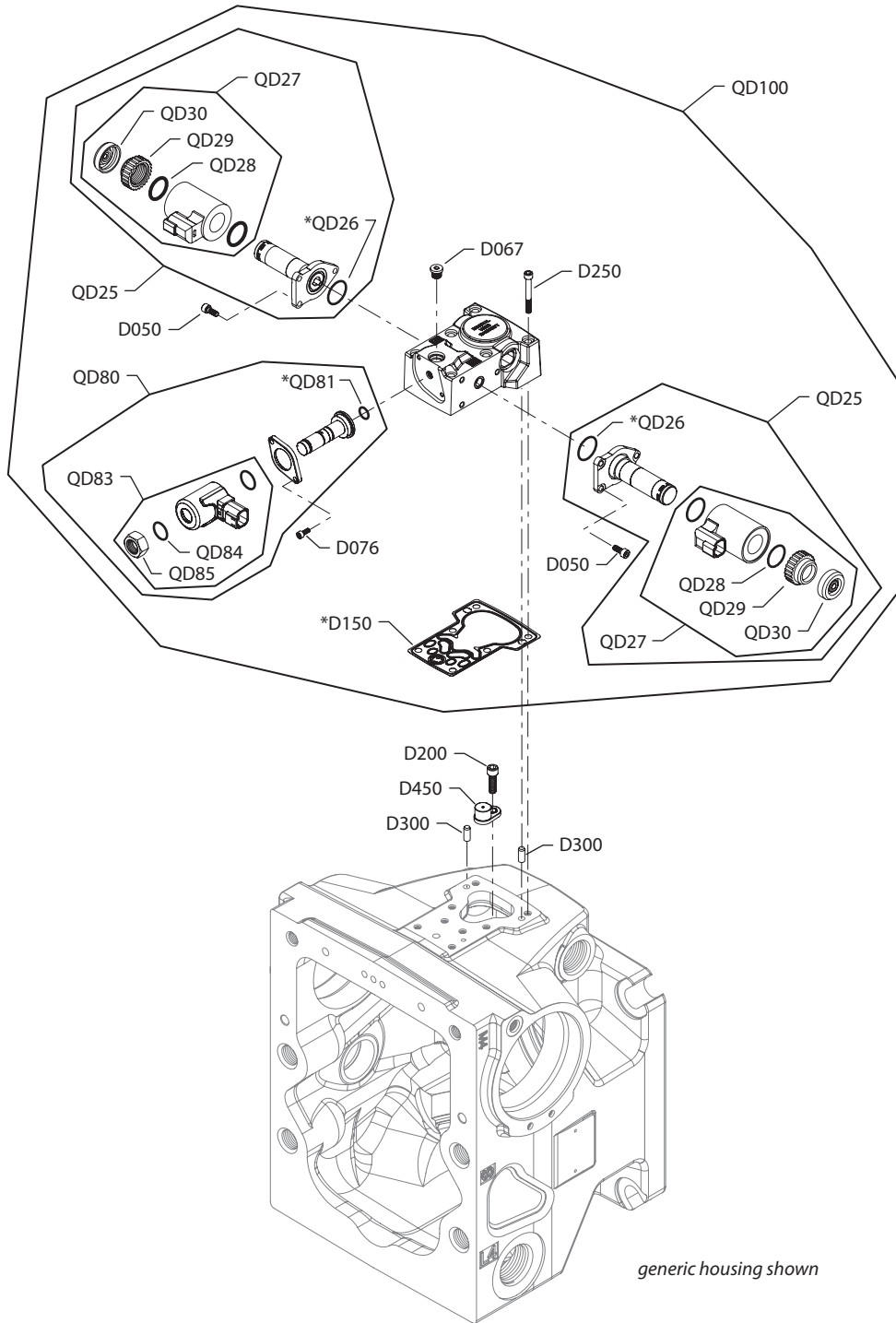

Variable displacement pump
Control

Order Code	Item	Date Begin	Date End	Part Number	Part Name	Qty. per Model/Kit
N1	D050	16-30		716860	Screw, M5 x 12	6
	D065	16-30		140642	Plug assembly	1
	D150	16-30		11173377	Control gasket	1
	D250	16-30		505038	Screw, M6 x 45	6
	D300	16-30		310979	Dowel pin	2
	QD25	16-30		140750	Proportional solenoid, 12v, Deutsch connector	2
	QD26	16-30		11001952	O-ring	2
	QD27	16-30		11004698	Coil kit, 12v, Deutsch connector	2
	QD28	16-30		063172	O-ring	2
	QD29	16-30		11004749	Coil nut	2
	QD30	16-30		11027883	Cap	2
	QD100	16-30		11147921	NFPE control kit, 12v, manual override, Deutsch conn.	1
	N2	D050	16-30		716860	Screw, M5 x 12
D065		16-30		140642	Plug assembly	1
D150		16-30		11173377	Control gasket	1
D250		16-30		505038	Screw, M6 x 45	6
D300		16-30		310979	Dowel pin	2
QD25		16-30		140751	Proportional solenoid, 24v, Deutsch connector	2
QD26		16-30		11001952	O-ring	2
QD27		16-30		11004700	Coil kit, 24v, Deutsch connector	2
QD28		16-30		063172	O-ring	2
QD29		16-30		11004750	Coil nut	2
QD30		16-30		11027883	Cap	2
QD100		16-30		11147925	NFPE control kit, 24v, manual override, Deutsch conn.	1



Variable displacement pump

(N3 & N4)



E103 636E

* = included in overhaul seal kit Q210

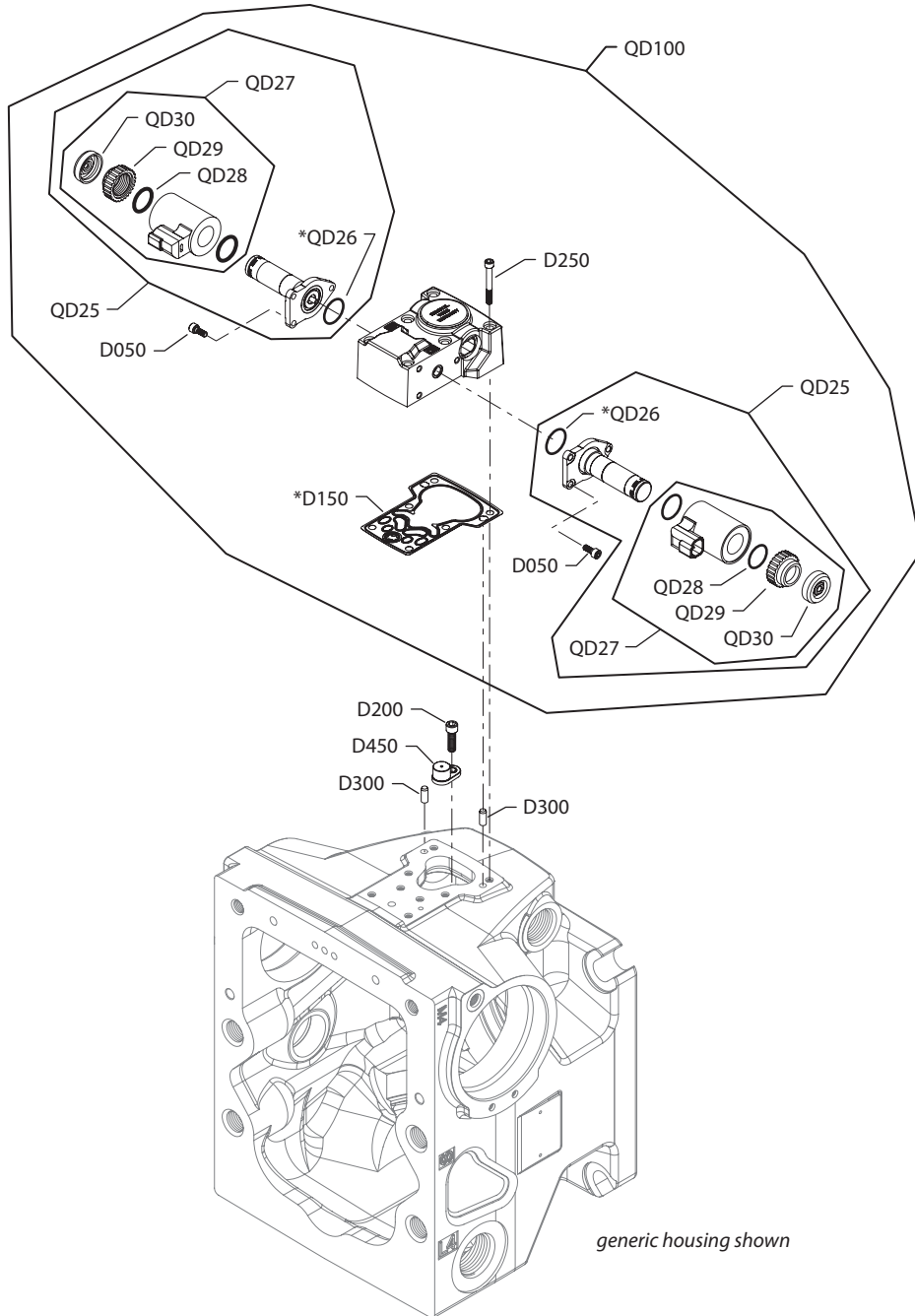

Variable displacement pump
Control

Order Code	Item	Date Begin	Date End	Part Number	Part Name	Qty. per Model/Kit
N3	D050	16-30		716860	Screw, M5 x 12	6
	D067	16-30		140642	Plug assembly	1
	D076	16-30		067694	Screw, M4 x 10	2
	D150	16-30		11173377	Control gasket	1
	D200	16-30		141472	Screw, special	1
	D250	16-30		505038	Screw, M6 x 45	6
	D300	16-30		310979	Dowel pin	2
	D450	16-30		11003097	Magnetic carrier	1
	QD25	16-30		140750	Proportional solenoid, 12v	2
	QD26	16-30		11001952	O-ring	2
	QD27	16-30		11004698	Coil kit, 12v, Deutsch connector	2
	QD28	16-30		063172	O-ring	2
	QD29	16-30		11004749	Coil nut	2
	QD30	16-30		11027883	Cap	2
	QD80	16-30		11129914	Solenoid, 12V, Deutsch connector	1
	QD81	16-30		11152257	O-ring	1
	QD83	16-30		11147301	Coil kit, 12V, Deutsch connector	1
	QD84	16-30		11140393	O-ring	1
	QD85	16-30		11140394	Nut	1
	QD100	16-30		11147920	NFPE control kit, 12v, CCO	1
N4	D050	16-30		716860	Screw, M5 x 12	6
	D067	16-30		140642	Plug assembly	1
	D076	16-30		067694	Screw, M4 x 10	2
	D150	16-30		11173377	Control gasket	1
	D200	16-30		141472	Screw, special	1
	D250	16-30		505038	Screw, M6 x 45	6
	D300	16-30		310979	Dowel pin	2
	D450	16-30		11003097	Magnetic carrier	1
	QD25	16-30		140751	Proportional solenoid, 24v	2
	QD26	16-30		11001952	O-ring	2
	QD27	16-30		11004700	Coil kit, 24v, Deutsch connector	2
	QD28	16-30		063172	O-ring	2
	QD29	16-30		11004749	Coil nut	2
	QD30	16-30		11027883	Cap	2
	QD80	16-30		11129915	Solenoid, 24V, Deutsch connector	1
	QD81	16-30		11152257	O-ring	1
	QD83	16-30		11147332	Coil kit, 24V, Deutsch connector	1
	QD84	16-30		11140393	O-ring	1
	QD85	16-30		11140394	Nut	1
	QD100	16-30		11147924	NFPE control kit, 24v, CCO	1



Variable displacement pump

(N5 & N6)



E103 637E

* = included in overhaul seal kit Q210

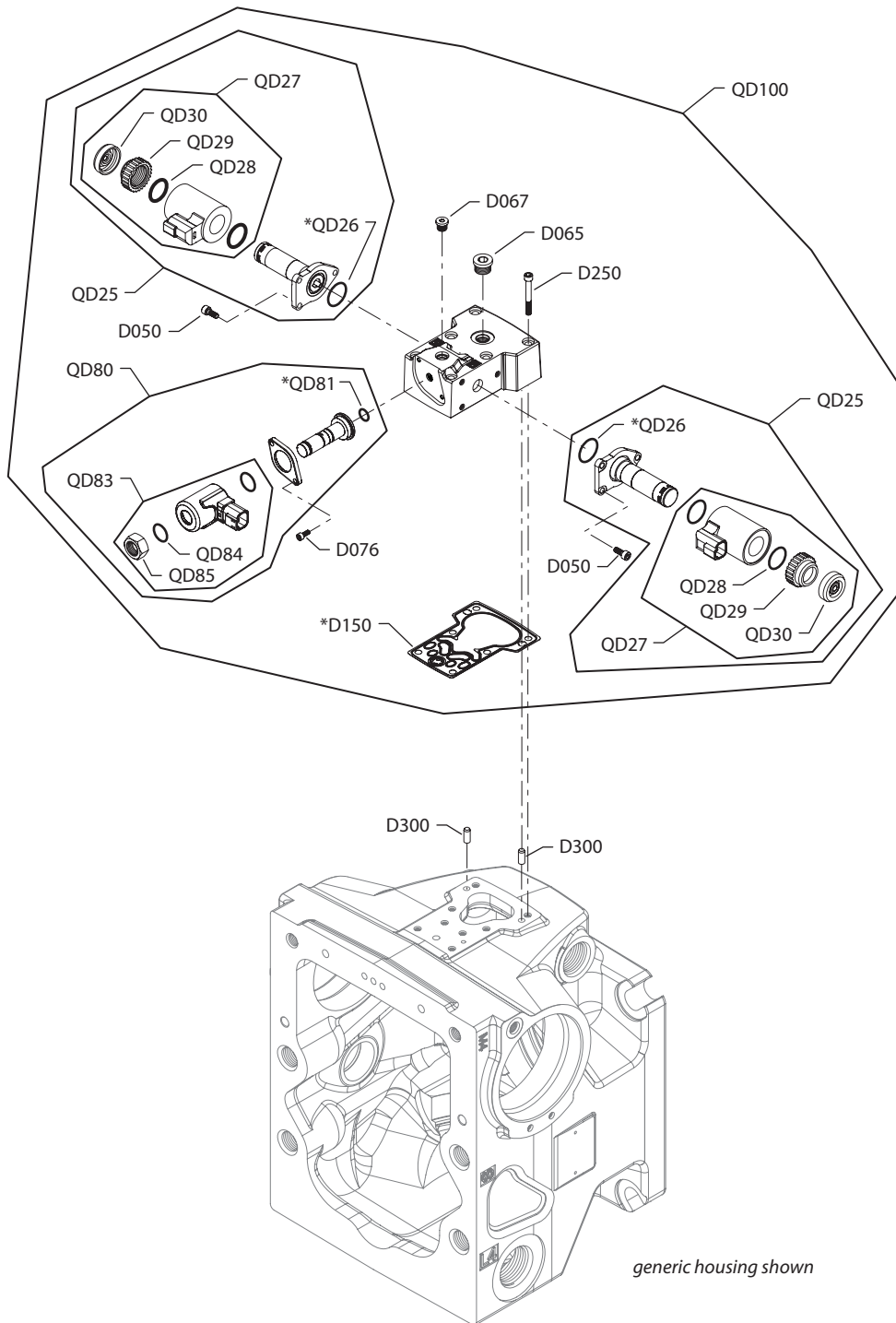

Variable displacement pump
Control

Order Code	Item	Date Begin	Date End	Part Number	Part Name	Qty. per Model/Kit
N5	D050	16-30		716860	Screw, M5 x 12	6
	D150	16-30		11173377	Control gasket	1
	D200	16-30		141472	Screw, special	1
	D250	16-30		505038	Screw, M6 x 45	6
	D300	16-30		310979	Dowel pin	2
	D450	16-30		11003097	Magnetic carrier	1
	QD25	16-30		140750	Proportional solenoid, 12v	2
	QD26	16-30		11001952	O-ring	2
	QD27	16-30		11004698	Coil kit, 12v, Deutsch connector	2
	QD28	16-30		063172	O-ring	2
	QD29	16-30		11004749	Coil nut	2
	QD30	16-30		11027883	Cap	2
	QD100	16-30		11147918	NFPE control kit, 12v, manual override	1
	N6	D050	16-30		716860	Screw, M5 x 12
D150		16-30		11173377	Control gasket	1
D200		16-30		141472	Screw, special	1
D250		16-30		505038	Screw, M6 x 45	6
D300		16-30		310979	Dowel pin	2
D450		16-30		11003097	Magnetic carrier	1
QD25		16-30		140751	Proportional solenoid, 24v	2
QD26		16-30		11001952	O-ring	2
QD27		16-30		11004700	Coil kit, 24v, Deutsch connector	2
QD28		16-30		063172	O-ring	2
QD29		16-30		11004749	Coil nut	2
QD30		16-30		11027883	Cap	2
QD100		16-30		11147922	NFPE control kit, 24v, manual override	1



Variable displacement pump

(N7 & N8)



E103 638E

* = included in overhaul seal kit Q210


Variable displacement pump
Control

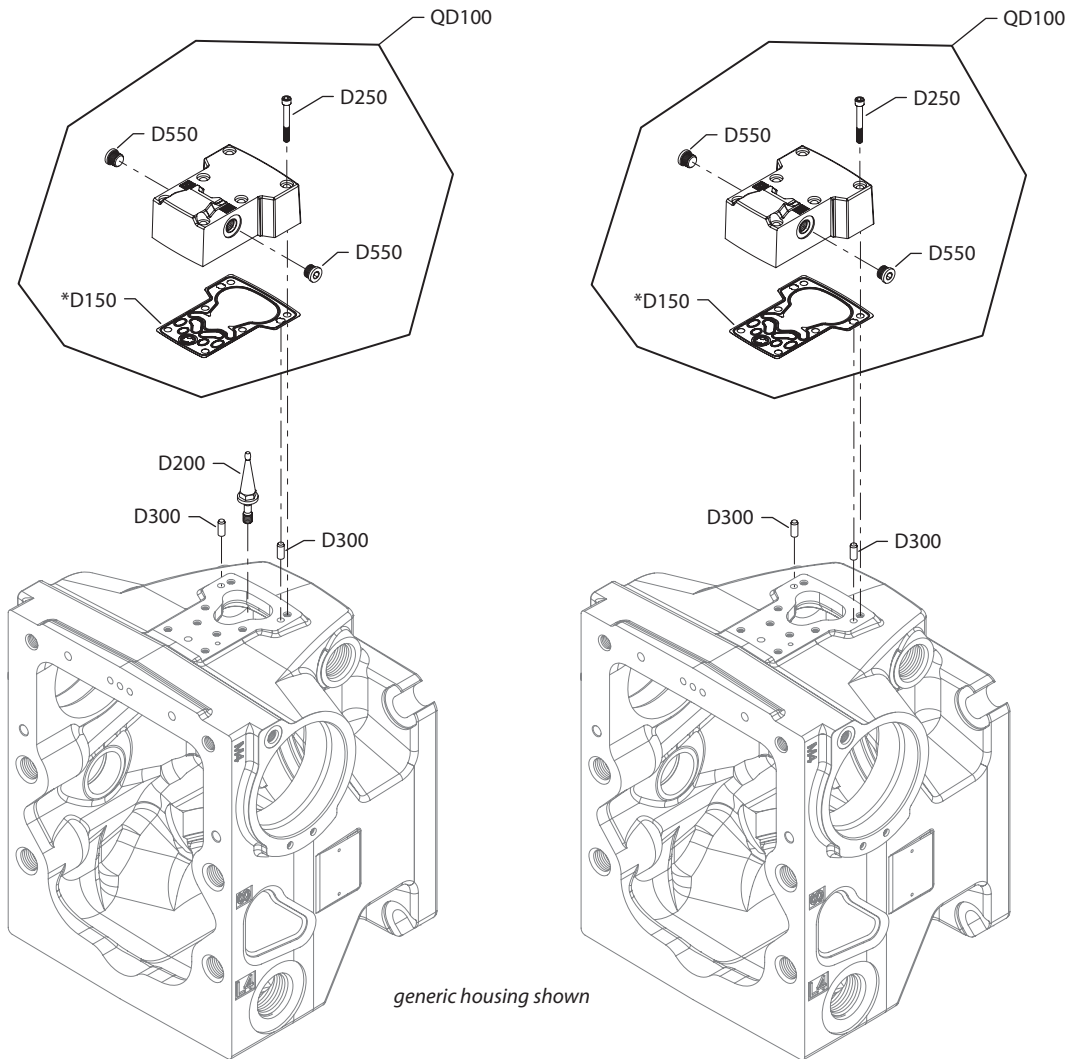
Order Code	Item	Date Begin	Date End	Part Number	Part Name	Qty. per Model/Kit	
N7	D050	16-30		716860	Screw, M5 x 12	6	
	D067	16-30		140642	Plug assembly	1	
	D076	16-30		067694	Screw, M4 x 10	2	
	D150	16-30		11173377	Control gasket	1	
	D250	16-30		505038	Screw, M6 x 45	6	
	D300	16-30		310979	Dowel pin	2	
	QD25	16-30		140750	Proportional solenoid, 12v	2	
	QD26	16-30		11001952	O-ring	2	
	QD27	16-30		11004698	Coil kit, 12v, Deutsch connector	2	
	QD28	16-30		063172	O-ring	2	
	QD29	16-30		11004749	Coil nut	2	
	QD30	16-30		11027883	Cap	2	
	QD80	16-30		11129914	Solenoid, 12V, Deutsch connector	1	
	QD81	16-30		11152257	O-ring	1	
	QD83	16-30		11147301	Coil kit, 12V, Deutsch connector	1	
	QD84	16-30		11140393	O-ring	1	
	QD85	16-30		11140394	Nut	1	
	QD100	16-30		11147919	NFPE control kit, 12v, CCO	1	
	N8	D050	16-30		716860	Screw, M5 x 12	6
		D067	16-30		140642	Plug assembly	1
D076		16-30		067694	Screw, M4 x 10	2	
D150		16-30		11173377	Control gasket	1	
D250		16-30		505038	Screw, M6 x 45	6	
D300		16-30		310979	Dowel pin	2	
QD25		16-30		140751	Proportional solenoid, 24v	2	
QD26		16-30		11001952	O-ring	2	
QD27		16-30		11004700	Coil kit, 24v, Deutsch connector	2	
QD28		16-30		063172	O-ring	2	
QD29		16-30		11004750	Coil nut	2	
QD30		16-30		11027883	Cap	2	
QD80		16-30		11129915	Solenoid, 24V, Deutsch connector	1	
QD81		16-30		11152257	O-ring	1	
QD83		16-30		11147332	Coil kit, 24V, Deutsch connector	1	
QD84		16-30		11140393	O-ring	1	
QD85		16-30		11140394	Nut	1	
QD100		16-30		11147923	NFPE control kit, 24v, CCO	1	



Variable displacement pump

(ND)

(NN)



E103 360E

* = included in overhaul seal kit Q210

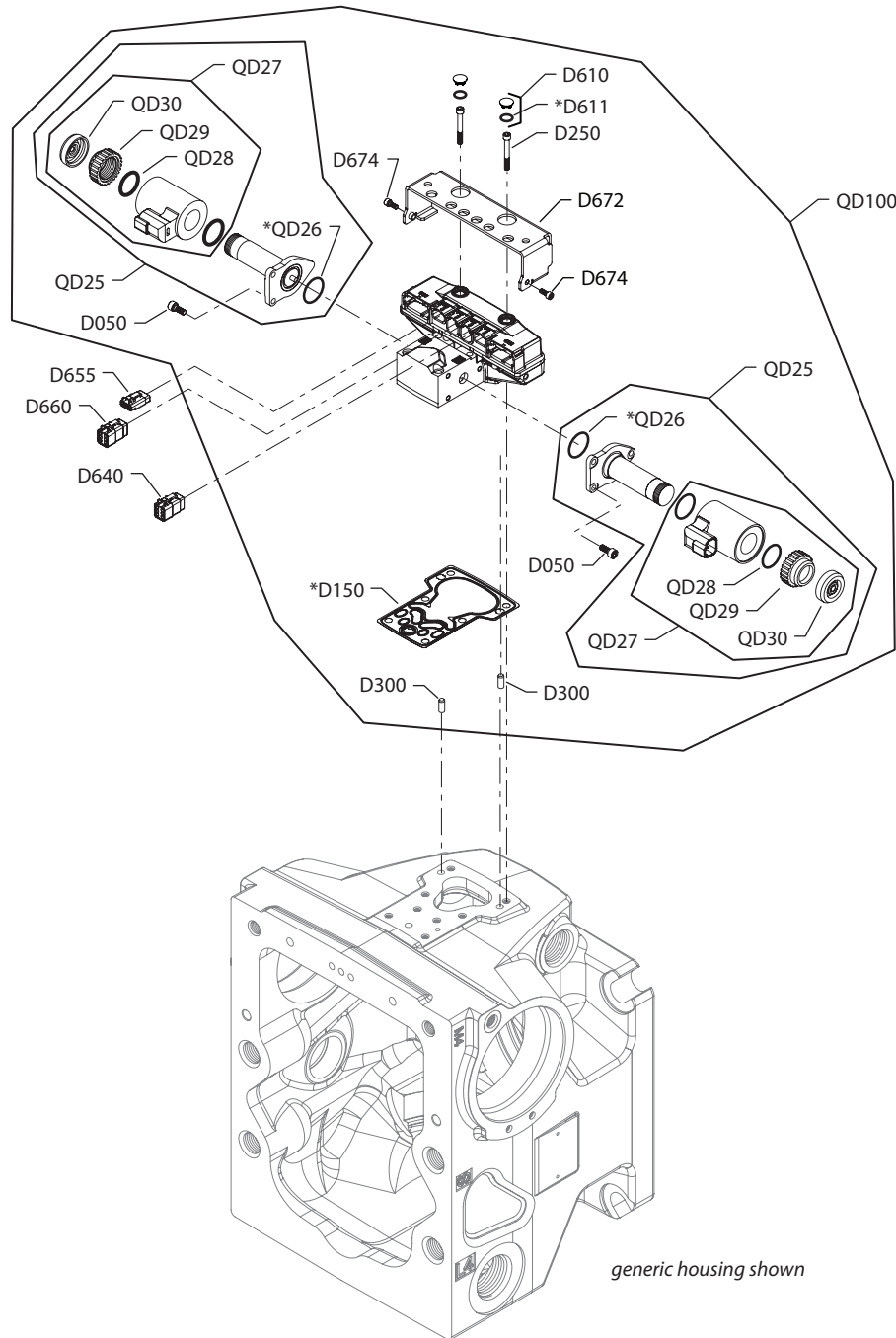

Variable displacement pump
Control

Order Code	Item	Date Begin	Date End	Part Number	Part Name	Qty. per Model/Kit
ND	D150	16-02		11173377	Control gasket	1
	D200	16-02		11148827	Swashplate feedback link	1
	D250	16-02		505038	Screw, M6 x 45	6
	D300	16-02		310979	Dowel pin	2
	D550	16-02		140644	Plug assembly	2
	QD100	16-02		11121984	Control cover kit	1
NN	D150	14-01		11173377	Control gasket (SB-2016-033)	1
	D250	14-01		505038	Screw, M6 x 45	6
	D300	14-01		310979	Dowel pin	2
	D550	14-01		140644	Plug assembly	2
	QD100	14-01		11121984	Control cover kit	1



Variable displacement pump

(P5)



E103 641E

* = included in overhaul seal kit Q210



Variable displacement pump

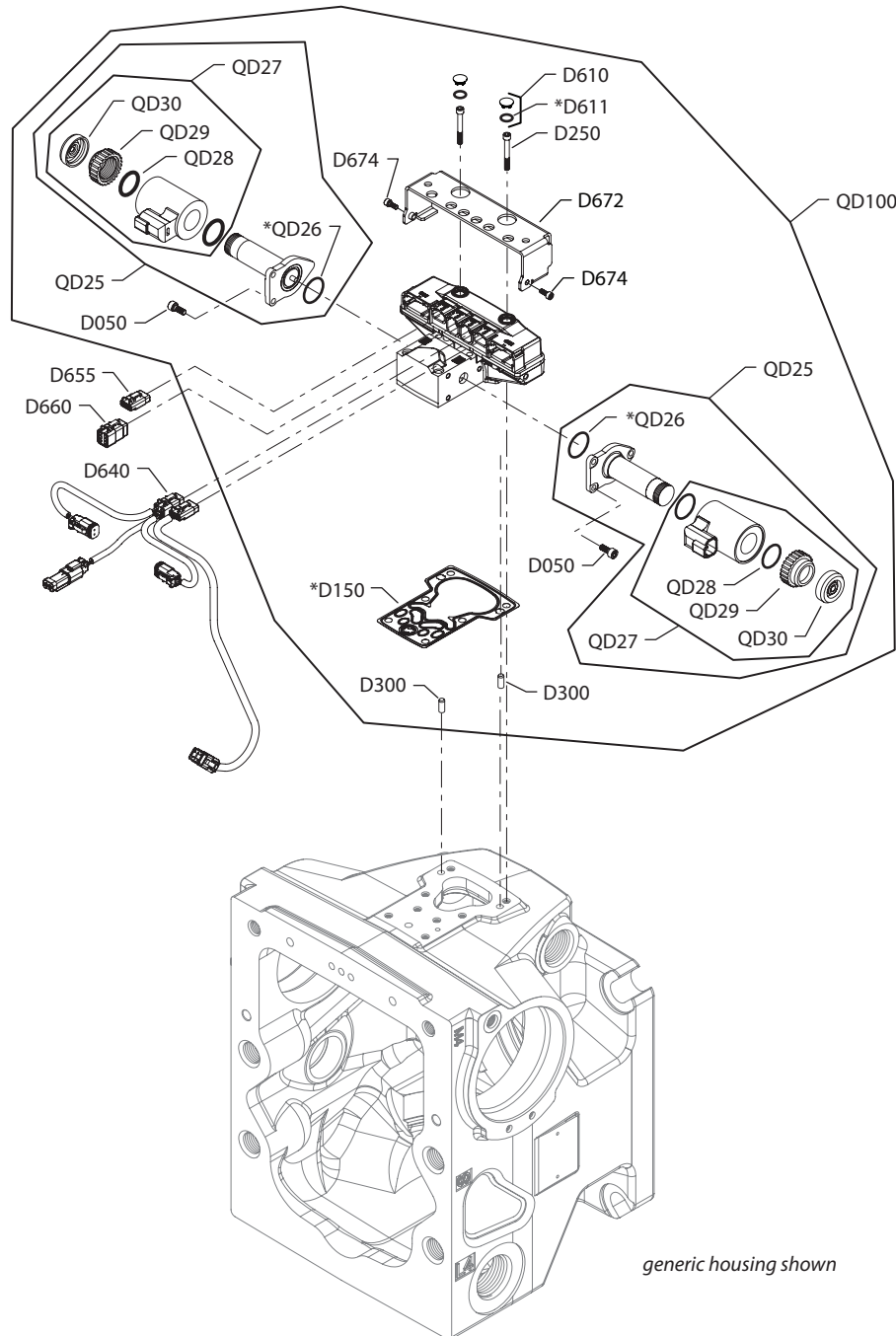
Control

Order Code	Item	Date Begin	Date End	Part Number	Part Name	Qty. per Model/Kit
P5	D050	17-15		716860	Screw, M5 x 12	6
	D150	17-15		11173377	Control gasket	1
	D250	17-15		505038	Screw, M6 x 45	6
	D300	17-15		11036469	Dowel pin	2
	D610	17-15		11000467	Plug assembly	2
	D611	17-15		11066774	O-ring	2
	D640	17-15		11084822	Blank, connector DTM 06-6S	1
	D655	17-15		11084827	Blank, connector DTM 06-3S	1
	D660	17-15		11084822	Blank, connector DTM 06-6S	1
	D672	17-15		11151875	Protection	1
	D674	17-15		716860	Screw, M5 x 12	2
	QD25	17-15		140750	Proportional solenoid, 12 volt	2
	QD26	17-15		11001952	O-ring	2
	QD27	17-15		11004698	Coil kit, 12v, Deutsch connector	2
	QD28	17-15		063172	O-ring	2
	QD29	17-15		11004749	Coil nut	2
	QD30	17-15		11027883	Cap	2
	QD100	17-15		11147941	Automotive control kit, 12v, manual override	1



Variable displacement pump

(P6 & P7)



generic housing shown

E103 639E

* = included in overhaul seal kit Q210

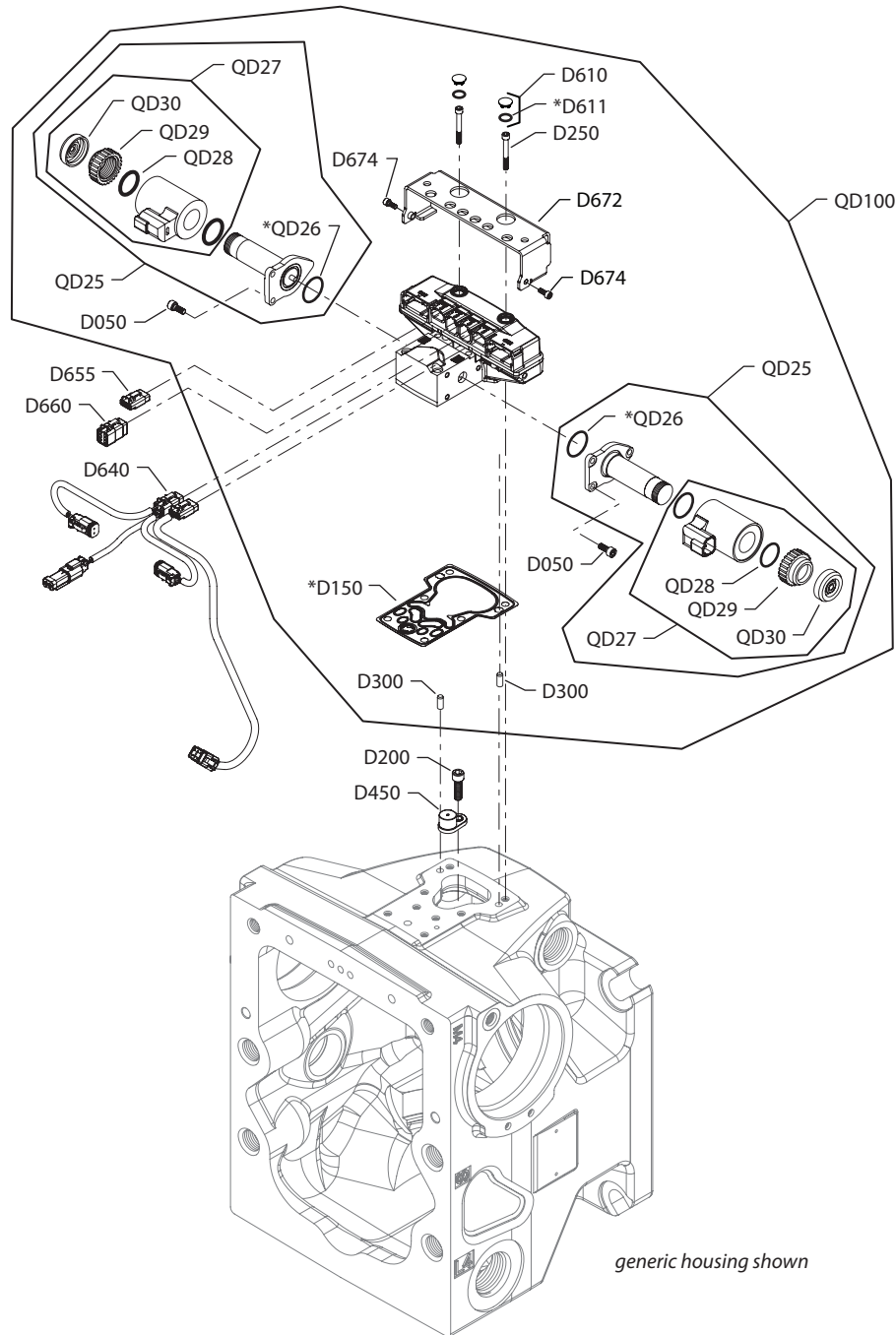

Variable displacement pump
Control

Order Code	Item	Date Begin	Date End	Part Number	Part Name	Qty. per Model/Kit	
P6	D050	16-30		716860	Screw, M5 x 12	6	
	D150	16-30		11173377	Control gasket	1	
	D250	16-30		505038	Screw, M6 x 45	6	
	D300	16-30		11036469	Dowel pin	2	
	D610	16-30		11000467	Plug assembly	2	
	D611	16-30		11066774	O-ring	2	
	D640	16-30		11023348	AC wiring harness	1	
	D655	16-30		11084827	Blank, connector DTM 06-3S	1	
	D660	16-30		11084822	Blank, connector DTM 06-6S	1	
	D672	16-30		11151875	Protection	1	
	D674	16-30		716860	Screw, M5 x 12	2	
	QD25	16-30		140750	Proportional solenoid, 12 volt	2	
	QD26	16-30		11001952	O-ring	2	
	QD27	16-30		11004698	Coil kit, 12v, Deutsch connector	2	
	QD28	16-30		063172	O-ring	2	
	QD29	16-30		11004749	Coil nut	2	
	QD30	16-30		11027883	Cap	2	
	QD100	16-30		11147941	Automotive control kit, 12v, manual override	1	
	P7	D050	16-30		716860	Screw, M5 x 12	6
		D150	16-30		11173377	Control gasket	1
D250		16-30		505038	Screw, M6 x 45	6	
D300		16-30		11036469	Dowel pin	2	
D610		16-30		11000467	Plug assembly	2	
D611		16-30		11066774	O-ring	2	
D640		16-30		11023348	AC wiring harness	1	
D655		16-30		11084827	Blank, connector DTM 06-3S	1	
D660		16-30		11084822	Blank, connector DTM 06-6S	1	
D672		16-30		11151875	Protection	1	
D674		16-30		716860	Screw, M5 x 12	2	
QD25		16-30		140751	Proportional solenoid, 24 volt	2	
QD26		16-30		11001952	O-ring	2	
QD27		16-30		11004700	Coil kit, 24v, Deutsch connector	2	
QD28		16-30		063172	O-ring	2	
QD29		16-30		11004749	Coil nut	2	
QD30		16-30		11027883	Cap	2	
QD100		16-30		11147943	Automotive control kit, 24v, manual override	1	



Variable displacement pump

(P8 & P9)



generic housing shown

E103 640E

* = included in overhaul seal kit Q210



Variable displacement pump

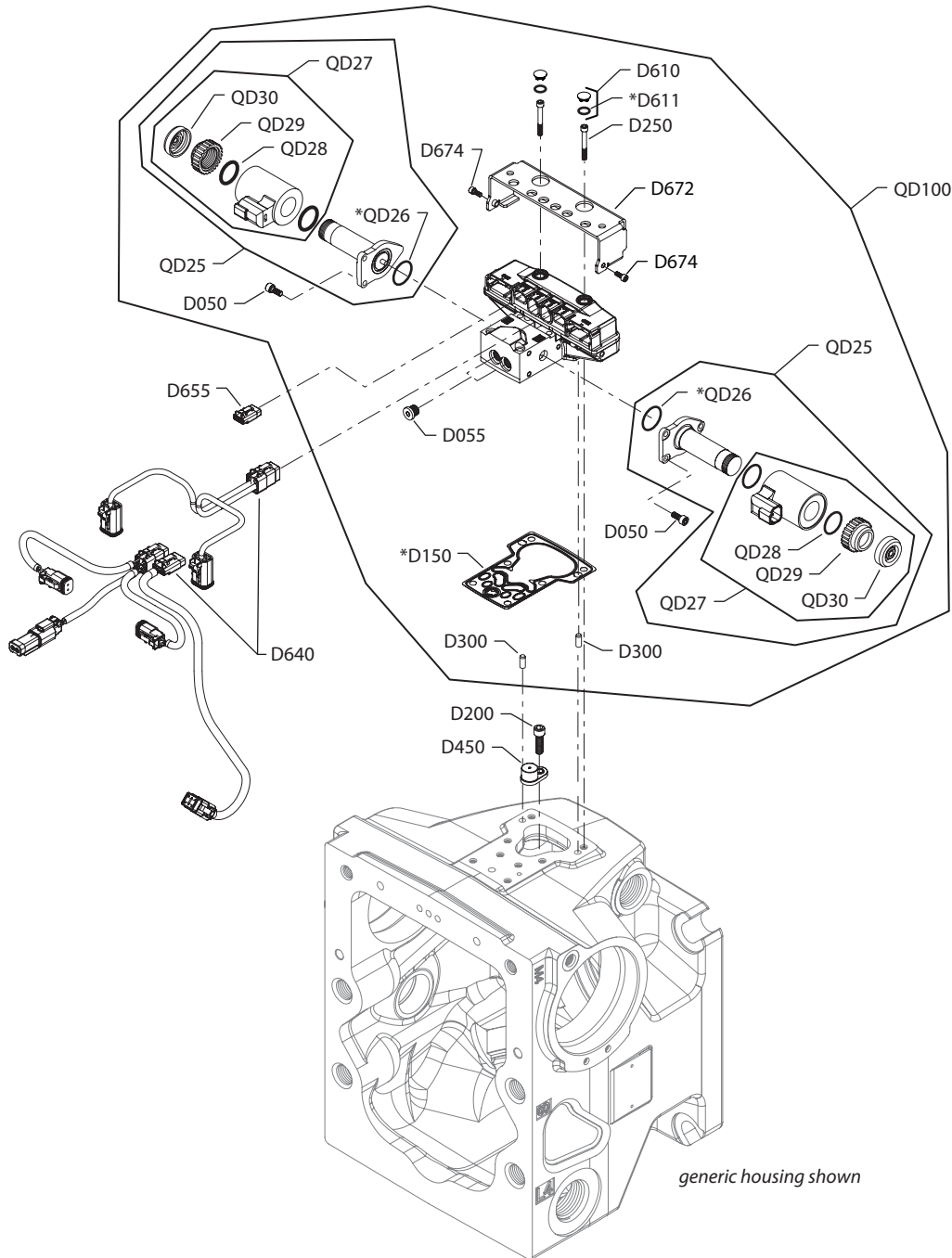
Control

Order Code	Item	Date Begin	Date End	Part Number	Part Name	Qty. per Model/Kit
P8	D050	16-30		716860	Screw, M5 x 12	6
	D150	16-30		11173377	Control gasket	1
	D200	16-30		141472	Screw, special	1
	D250	16-30		505038	Screw, M6 x 45	6
	D300	16-30		11036469	Dowel pin	2
	D450	16-30		11003097	Magnetic carrier	1
	D610	16-30		11000467	Plug assembly	2
	D611	16-30		11066774	O-ring	2
	D640	16-30		11023348	AC wiring harness	1
	D655	16-30		11084827	Blank, connector DTM 06-3S	1
	D660	16-30		11084822	Blank, connector DTM 06-6S	1
	D672	16-30		11151875	Protection	1
	D674	16-30		716860	Screw, M5 x 12	2
	QD25	16-30		140750	Proportional solenoid, 12 volt	2
	QD26	16-30		11001952	O-ring	2
	QD27	16-30		11004698	Coil kit, 12v, Deutsch connector	2
	QD28	16-30		063172	O-ring	2
	QD29	16-30		11004749	Coil nut	2
	QD30	16-30		11027883	Cap	2
	QD100	16-30		11147940	Automotive control kit, 12v, manual override	1
P9	D050	16-30		716860	Screw, M5 x 12	6
	D150	16-30		11173377	Control gasket	1
	D200	16-30		141472	Screw, special	1
	D250	16-30		505038	Screw, M6 x 45	6
	D300	16-30		11036469	Dowel pin	2
	D450	16-30		11003097	Magnetic carrier	1
	D610	16-30		11000467	Plug assembly	2
	D611	16-30		11066774	O-ring	2
	D640	16-30		11023348	AC wiring harness	1
	D655	16-30		11084827	Blank, connector DTM 06-3S	1
	D660	16-30		11084822	Blank, connector DTM 06-6S	1
	D672	16-30		11151875	Protection	1
	D674	16-30		716860	Screw, M5 x 12	2
	QD25	16-30		140751	Proportional solenoid, 24 volt	2
	QD26	16-30		11001952	O-ring	2
	QD27	16-30		11004700	Coil kit, 24v, Deutsch connector	2
	QD28	16-30		063172	O-ring	2
	QD29	16-30		11004750	Coil nut	2
	QD30	16-30		11027883	Cap	2
	QD100	16-30		11147942	Automotive control kit, 24v, manual override	1



Variable displacement pump

(R1 & R2)



E103 642E

* = included in overhaul seal kit Q210



Variable displacement pump

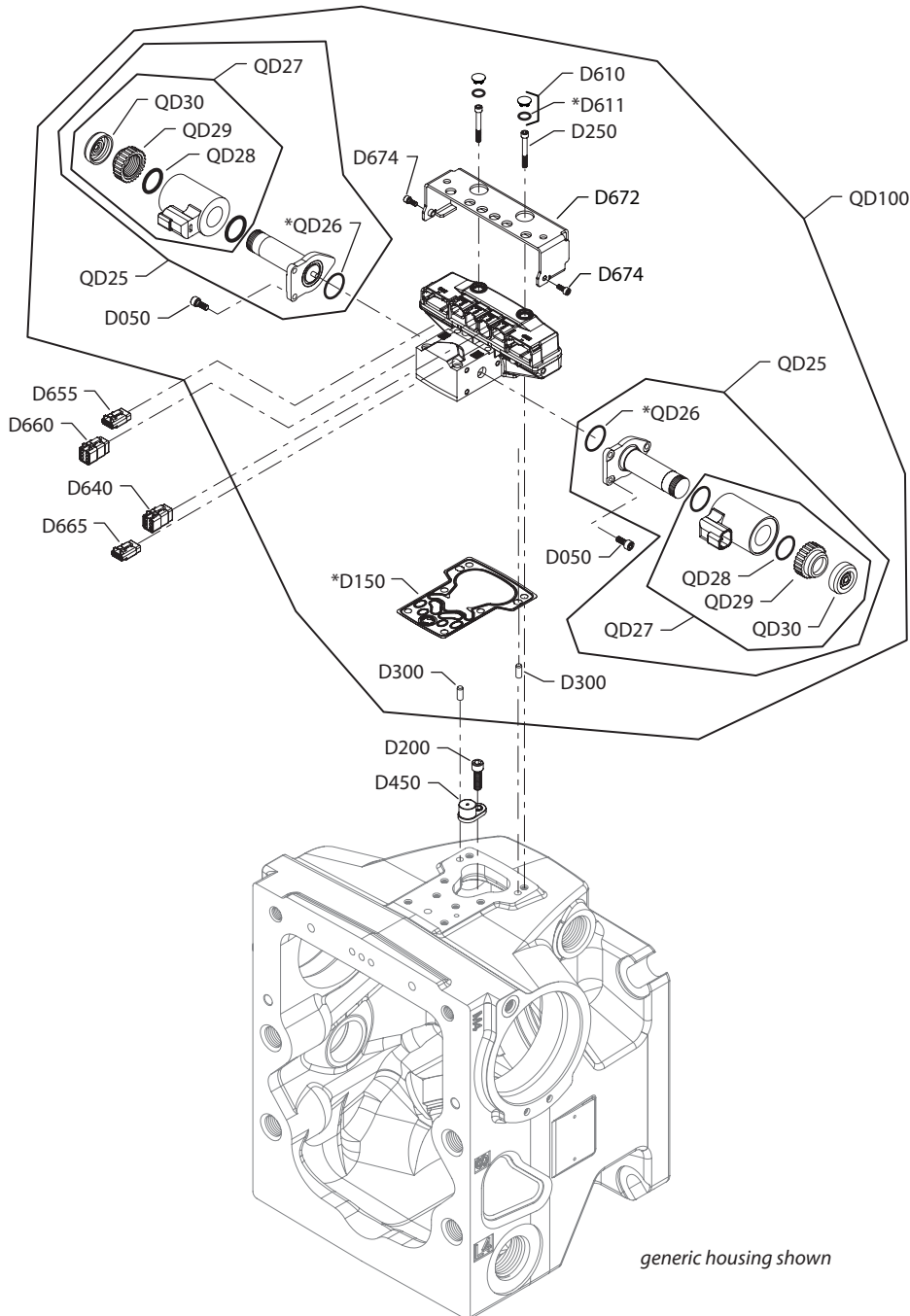
Control

Order Code	Item	Date Begin	Date End	Part Number	Part Name	Qty. per Model/Kit
R1	D050	16-30		716860	Screw, M5 x 12	6
	D150	16-30		11173377	Control gasket	1
	D200	16-30		141472	Screw, special	1
	D250	16-30		505038	Screw, M6 x 45	6
	D300	16-30		11036469	Dowel pin	2
	D450	16-30		11003097	Magnetic carrier	1
	D610	16-30		11000467	Plug assembly	2
	D611	16-30		11066774	O-ring	2
	D640	16-30		11105876	AC wiring harness	1
	D655	16-30		11084827	Blank, connector DTM 06-3S	1
	D672	16-30		11151875	Protection	1
	D674	16-30		716860	Screw, M5 x 12	2
	QD25	16-30		140750	Proportional solenoid, 12 volt	2
	QD26	16-30		11001952	O-ring	2
	QD27	16-30		11004698	Coil kit, 12v, Deutsch connector	2
	QD28	16-30		063172	O-ring	2
	QD29	16-30		11004749	Coil nut	2
	QD30	16-30		11027883	Cap	2
	QD100	16-30		11147940	Automotive control kit, 12v, manual override	1
	R2	D050	16-30		716860	Screw, M5 x 12
D150		16-30		11173377	Control gasket	1
D200		16-30		141472	Screw, special	1
D250		16-30		505038	Screw, M6 x 45	6
D300		16-30		11036469	Dowel pin	2
D450		16-30		11003097	Magnetic carrier	1
D610		16-30		11000467	Plug assembly	2
D611		16-30		11066774	O-ring	2
D640		16-30		11105876	AC wiring harness	1
D655		16-30		11084827	Blank, connector DTM 06-3S	1
D672		16-30		11151875	Protection	1
D674		16-30		716860	Screw, M5 x 12	2
QD25		16-30		140751	Proportional solenoid, 24 volt	2
QD26		16-30		11001952	O-ring	2
QD27		16-30		11004700	Coil kit, 24v, Deutsch connector	2
QD28		16-30		063172	O-ring	2
QD29		16-30		11004750	Coil nut	2
QD30		16-30		11027883	Cap	2
QD100		16-30		11147942	Automotive control kit, 24v, manual override	1



Variable displacement pump

(R3 & R4)



generic housing shown

E103 643E

* = included in overhaul seal kit Q210

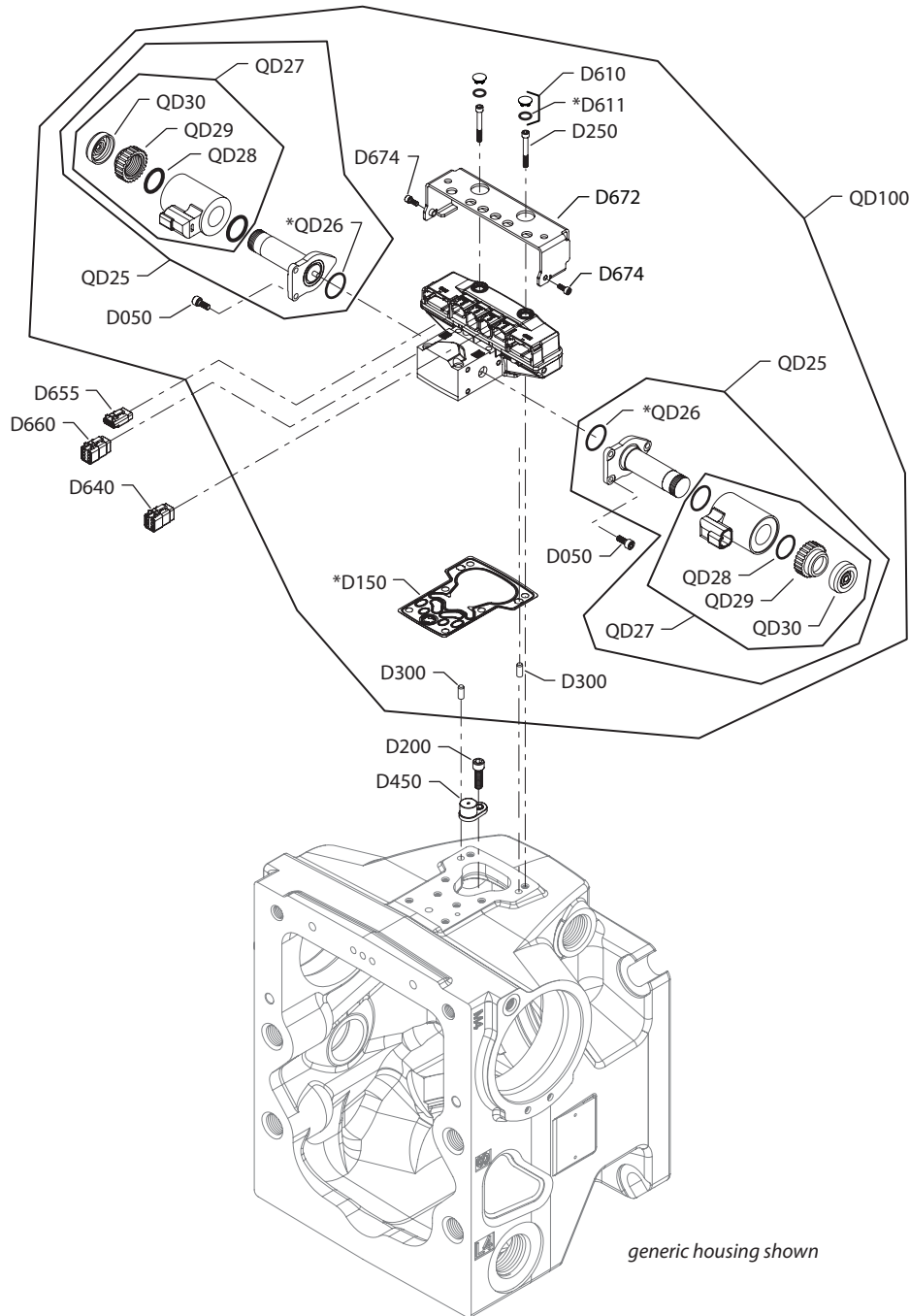

Variable displacement pump
Control

Order Code	Item	Date Begin	Date End	Part Number	Part Name	Qty. per Model/Kit
R3	D050	16-17		716860	Screw, M5 x 12	6
	D150	16-17		11173377	Control gasket	1
	D200	16-17		141472	Screw, special	1
	D250	16-17		505038	Screw, M6 x 45	6
	D300	16-17		11036469	Dowel pin	2
	D450	16-17		11003097	Magnetic carrier	1
	D610	16-17		11000467	Plug assembly	2
	D611	16-17		11066774	O-ring	2
	D640	16-17		11084822	Blank, connector DTM 06-6S	1
	D655	16-17		11084827	Blank, connector DTM 06-3S	1
	D660	16-17		11084822	Blank, connector DTM 06-6S	1
	D665	16-17		11084827	Blank, connector DTM 06-3S	1
	D672	16-17		11151875	Protection	1
	D674	16-17		716860	Screw, M5 x 12	2
	QD25	16-17		140751	Proportional solenoid, 24 volt	2
	QD26	16-17		11001952	O-ring	2
	QD27	16-17		11004700	Coil kit, 24v, Deutsch connector	2
	QD28	16-17		063172	O-ring	2
	QD29	16-17		11004750	Coil nut	2
	QD30	16-17		11027883	Cap	2
QD100	16-17		11147943	Automotive control kit, 24v, manual override	1	
R4	D050	17-15		716860	Screw, M5 x 12	6
	D150	17-15		11173377	Control gasket	1
	D200	17-15		141472	Screw, special	1
	D250	17-15		505038	Screw, M6 x 45	6
	D300	17-15		11036469	Dowel pin	2
	D450	17-15		11003097	Magnetic carrier	1
	D610	17-15		11000467	Plug assembly	2
	D611	17-15		11066774	O-ring	2
	D640	17-15		11084822	Blank, connector DTM 06-6S	1
	D655	17-15		11084827	Blank, connector DTM 06-3S	1
	D660	17-15		11084822	Blank, connector DTM 06-6S	1
	D665	17-15		11084827	Blank, connector DTM 06-3S	1
	D672	17-15		11151875	Protection	1
	D674	17-15		716860	Screw, M5 x 12	2
	QD25	17-15		140750	Proportional solenoid, 12 volt	2
	QD26	17-15		11001952	O-ring	2
	QD27	17-15		11004698	Coil kit, 12v, Deutsch connector	2
	QD28	17-15		063172	O-ring	2
	QD29	17-15		11004749	Coil nut	2
	QD30	17-15		11027883	Cap	2
QD100	17-15		11147940	Automotive control kit, 12v, manual override	1	



Variable displacement pump

(R5)



E103 644E

* = included in overhaul seal kit Q210



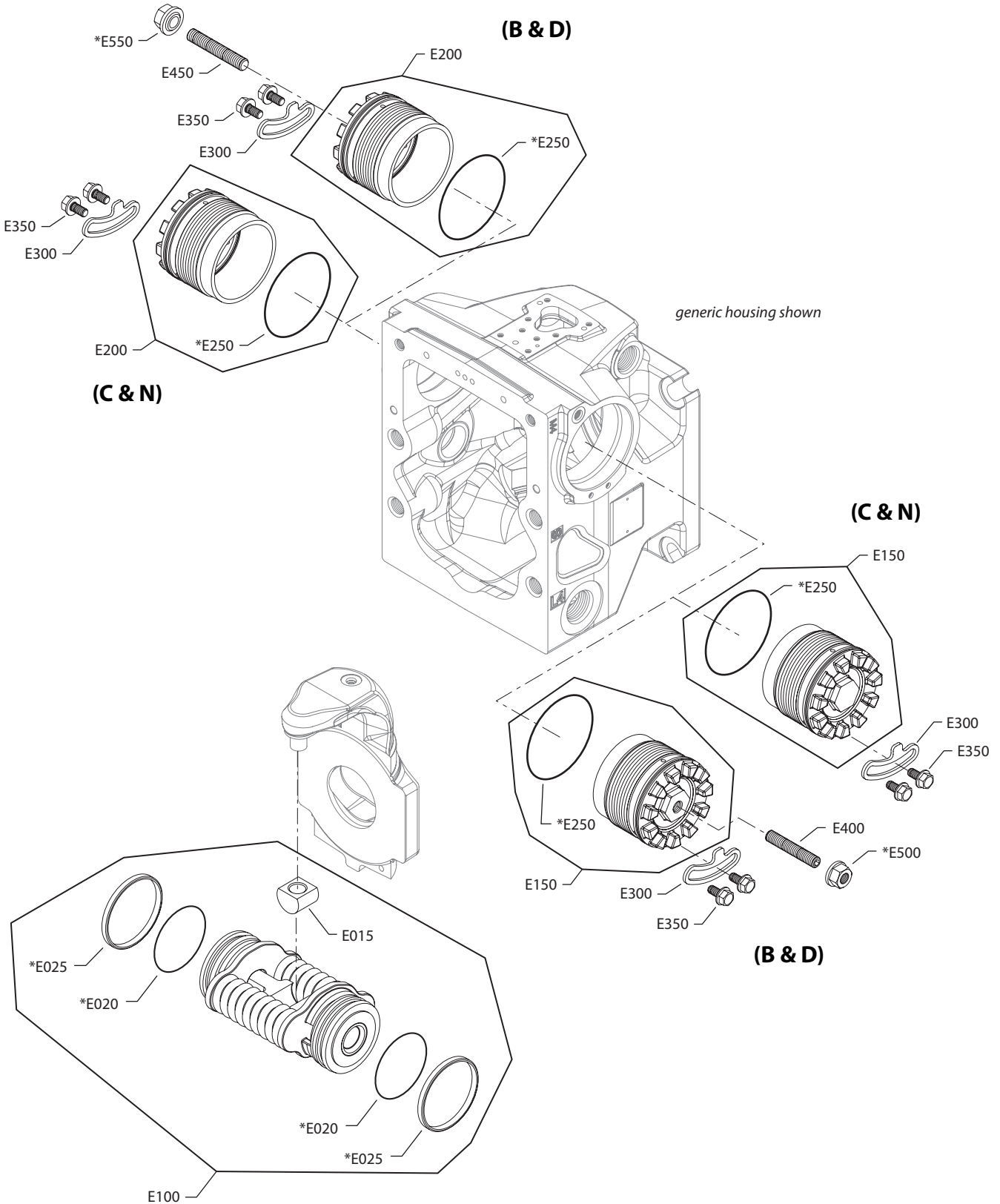
Variable displacement pump

Control

Order Code	Item	Date Begin	Date End	Part Number	Part Name	Qty. per Model/Kit
R5	D050	17-15		716860	Screw, M5 x 12	6
	D150	17-15		11173377	Control gasket	1
	D200	17-15		141472	Screw, special	1
	D250	17-15		505038	Screw, M6 x 45	6
	D300	17-15		11036469	Dowel pin	2
	D450	17-15		11003097	Magnetic carrier	1
	D610	17-15		11000467	Plug assembly	2
	D611	17-15		11066774	O-ring	2
	D640	17-15		11084822	Blank, connector DTM 06-6S	1
	D655	17-15		11084827	Blank, connector DTM 06-3S	1
	D660	17-15		11084822	Blank, connector DTM 06-6S	1
	D672	17-15		11151875	Protection	1
	D674	17-15		716860	Screw, M5 x 12	2
	QD25	17-15		140751	Proportional solenoid, 24 volt	2
	QD26	17-15		11001952	O-ring	2
	QD27	17-15		11004700	Coil kit, 24v, Deutsch connector	2
	QD28	17-15		063172	O-ring	2
	QD29	17-15		11004750	Coil nut	2
	QD30	17-15		11027883	Cap	2
	QD100	17-15		11147942	Automotive control kit, 24v, manual override	1



Variable displacement pump



E100 915E

* = included in overhaul seal kit Q210



Variable displacement pump

Common displacement limitation parts

Order Code	Item	Date Begin	Date End	Part Number	Part Name	Qty. per Model/Kit
all	E015	14-01		11141992	Slider block	1
	E020	14-01		545434	O-ring	2
	E025	14-01		11075562	Piston ring	2
	E250	14-01		733295	O-ring	2
	E300	14-01		11033382	Locking plate	2
	E350	14-01		508438	Screw, M6 x 12	4

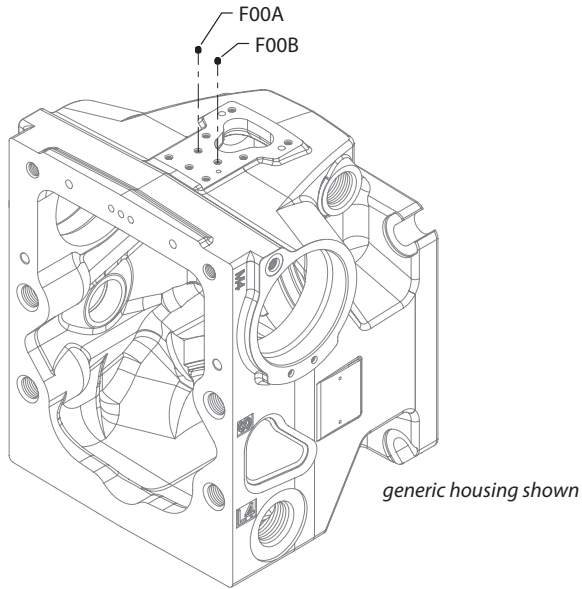
Displacement limitation

B	E100	14-01		11061435	Servo piston assembly	1
	E150	14-01		11089776	Servo cylinder assembly	1
	E200	14-01		11089776	Servo cylinder assembly	1
	E400	14-01		11000798	Set screw	1
	E450	14-01		11000798	Set screw	1
	E500	14-01		649822	Seal nut, M14	1
	E550	14-01		649822	Seal nut , M14	1
	C	E100	14-01		11061436	Servo piston assy. w/nested springs
E150		14-01		11089777	Servo cylinder assembly	1
E200		14-01		11089777	Servo cylinder assembly	1
D	E100	14-01		11061436	Servo piston assy. w/nested springs	1
	E150	14-01		11089776	Servo cylinder assembly	1
	E200	14-01		11089776	Servo cylinder assembly	1
	E400	14-01		11000798	Set screw	1
	E450	14-01		11000798	Set screw	1
	E500	14-01		649822	Seal nut, M14	1
	E550	14-01		649822	Seal nut , M14	1
	N	E100	14-01		11061435	Servo piston assembly
E150		14-01		11089777	Servo cylinder assembly	1
E200		14-01		11089777	Servo cylinder assembly	1

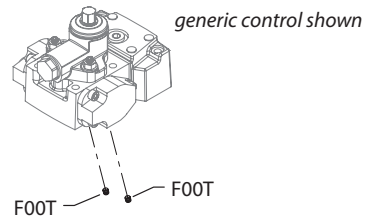


Variable displacement pump

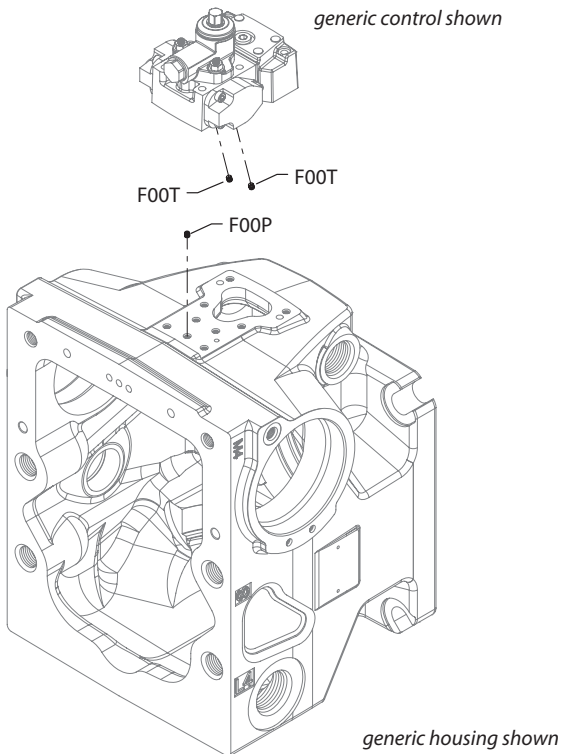
(C1, C2 & C4)



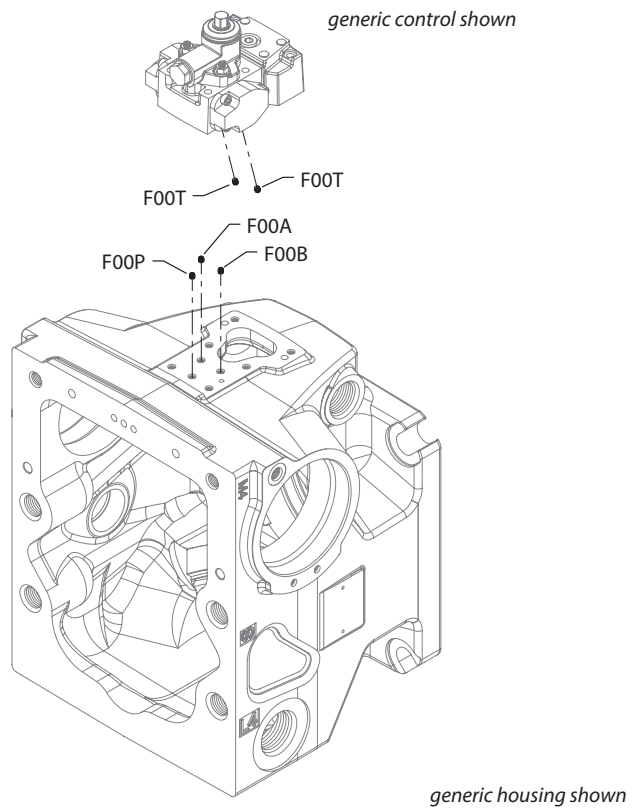
(C6 & C7)



(D3 & D6)



(D4)





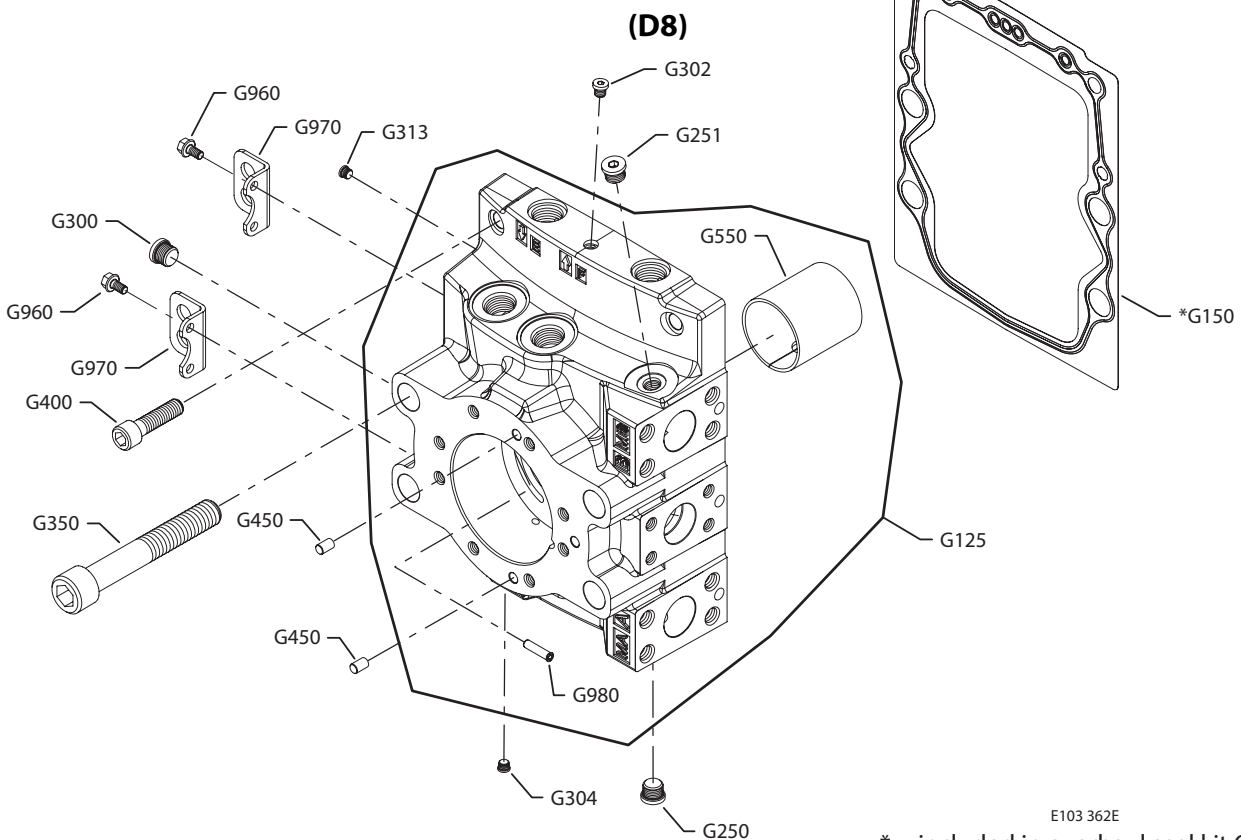
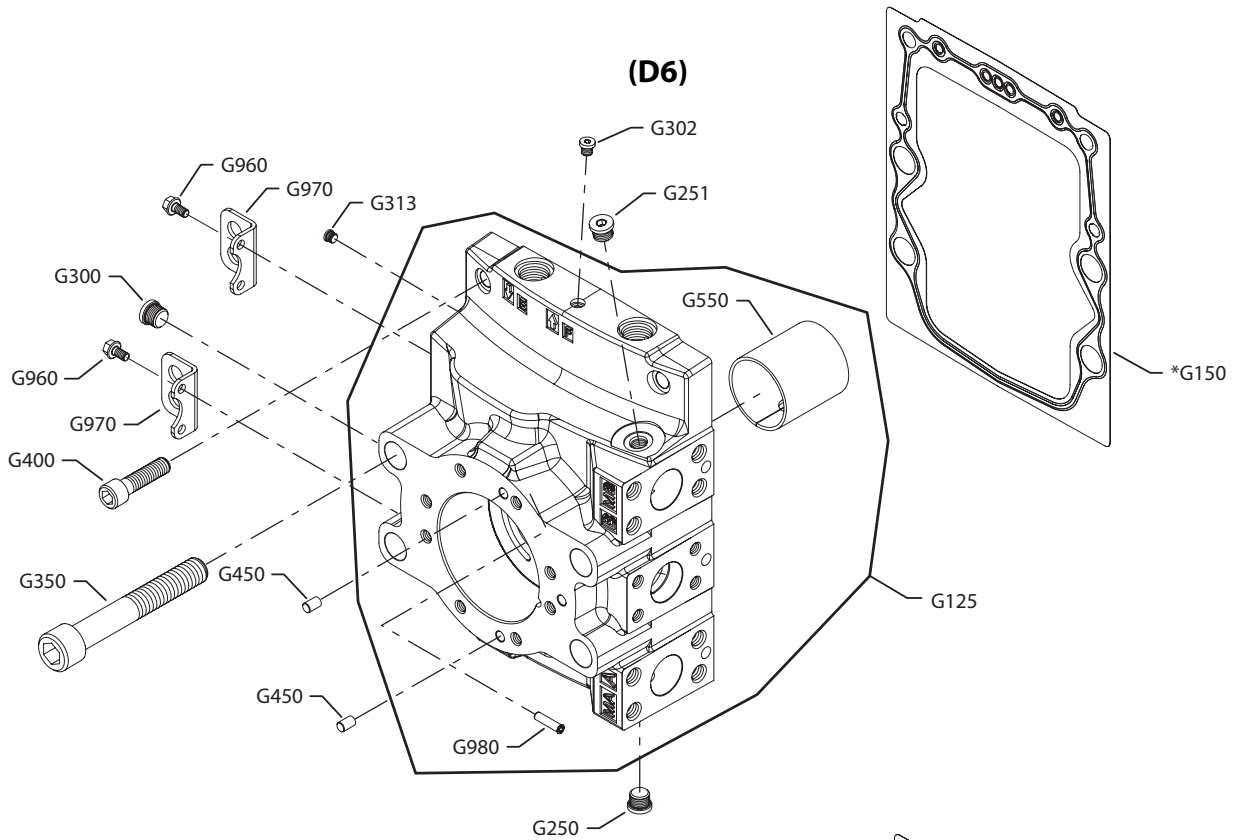
Variable displacement pump

Orifice

Order Code	Item	Date Begin	Date End	Part Number	Part Name	Qty. per Model/Kit
C1	F00A	14-01		140611	Orifice, 0.8, M6 x 0.75 mm	1
	F00B	14-01		140611	Orifice, 0.8, M6 x 0.75 mm	1
C2	F00A	14-01		140754	Orifice, 1.3, M6 x 0.75 mm	1
	F00B	14-01		140754	Orifice, 1.3, M6 x 0.75 mm	1
C3				No parts		
C4	F00A	14-01		140757	Orifice, 1.8, M6 x 0.75 mm	1
	F00B	14-01		140757	Orifice, 1.8, M6 x 0.75 mm	1
C6	F00T	14-01		11151734	Orifice, 1.0, M6 x 0.75 mm	2
C7	F00T	14-01		140754	Orifice, 1.3, M6 x 0.75 mm	2
D3	F00P	14-01		140754	Orifice, 1.3, M6 x 0.75 mm	1
	F00T	14-01		11151734	Orifice, 1.0 M6 x 0.75 mm	2
D4	F00A	14-01		140754	Orifice, 1.3, M6 x 0.75 mm	1
	F00B	14-01		140754	Orifice, 1.3, M6 x 0.75 mm	1
	F00P	14-01		140754	Orifice, 1.3, M6 x 0.75 mm	1
	F00T	14-01		11151734	Orifice, 1.0 M6 x 0.75 mm	2
D6	F00P	14-01		140754	Orifice, 1.3, M6 x 0.75 mm	1
	F00T	14-01		140754	Orifice, 1.3, M6 x 0.75 mm	2



Variable displacement pump



E103 362E

* = included in overhaul seal kit Q210



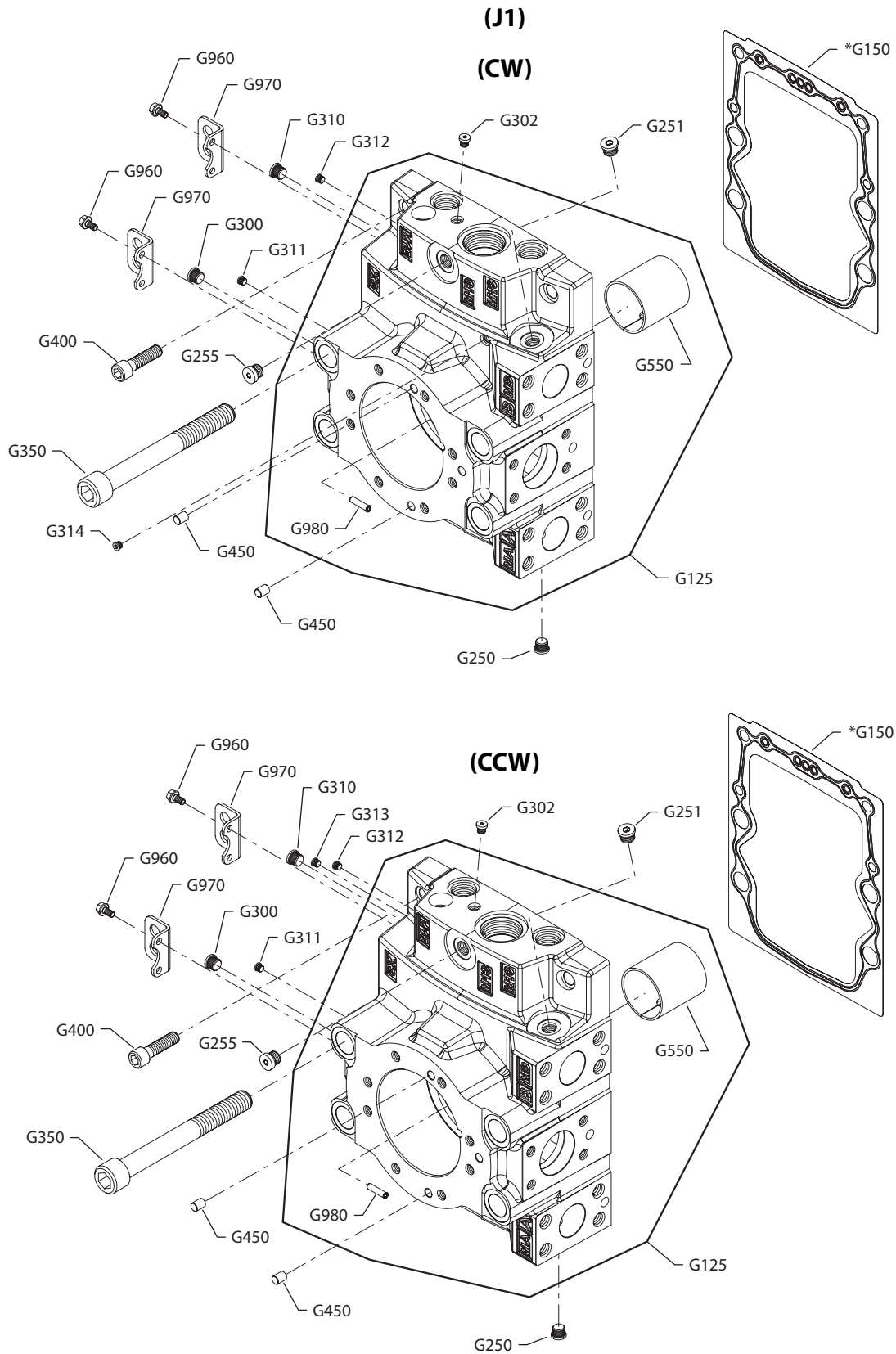
Variable displacement pump

End cap

Order Code	Item	Date Begin	Date End	Part Number	Part Name	Qty. per Model/Kit
D6	G125	14-01		11061890	End cap assembly, CW	1
	G125	14-01		11061915	End cap assembly, CCW	1
	G150	14-01		11061613	End cap gasket	1
	G250	14-01		140644	Plug assembly	1
	G251	14-01		140644	Plug assembly	1
	G300	14-01		140644	Plug assembly	1
	G302	14-01		11040532	Plug assembly	1
	G313	14-01		11040532	Plug assembly	1
	G350	14-01		11061858	Screw, M24 x 180	4
	G400	14-01		11061859	Screw, M14 x 55	2
	G450	14-01		9004800-3708	Dowel pin	2
	G550	14-01		11061889	Journal bearing	1
	G960	14-01		508438	Screw, M6 x 12	4
	G970	14-01		4460311	Lifting bracket	2
	G980	14-01		11000229	Lubrication orifice	1
	D8	G125	14-01		11061913	End cap assembly, CW
G125		14-01		11061917	End cap assembly, CCW	1
G150		14-01		11061613	End cap gasket	1
G250		14-01		140644	Plug assembly	1
G251		14-01		140644	Plug assembly	1
G300		14-01		140644	Plug assembly	1
G302		14-01		11040532	Plug assembly	1
G304		14-01		11040532	Plug assembly	1
G313		14-01		11040532	Plug assembly	1
G350		14-01		11061858	Screw, M24 x 180	4
G400		14-01		11061859	Screw, M14 x 55	2
G450		14-01		9004800-3708	Dowel pin	2
G550		14-01		11061889	Journal bearing	1
G960		14-01		508438	Screw, M6 x 12	4
G970		14-01		4460311	Lifting bracket	2
G980		14-01		11000229	Lubrication orifice	1



Variable displacement pump



E103 363E

* = included in overhaul seal kit Q210

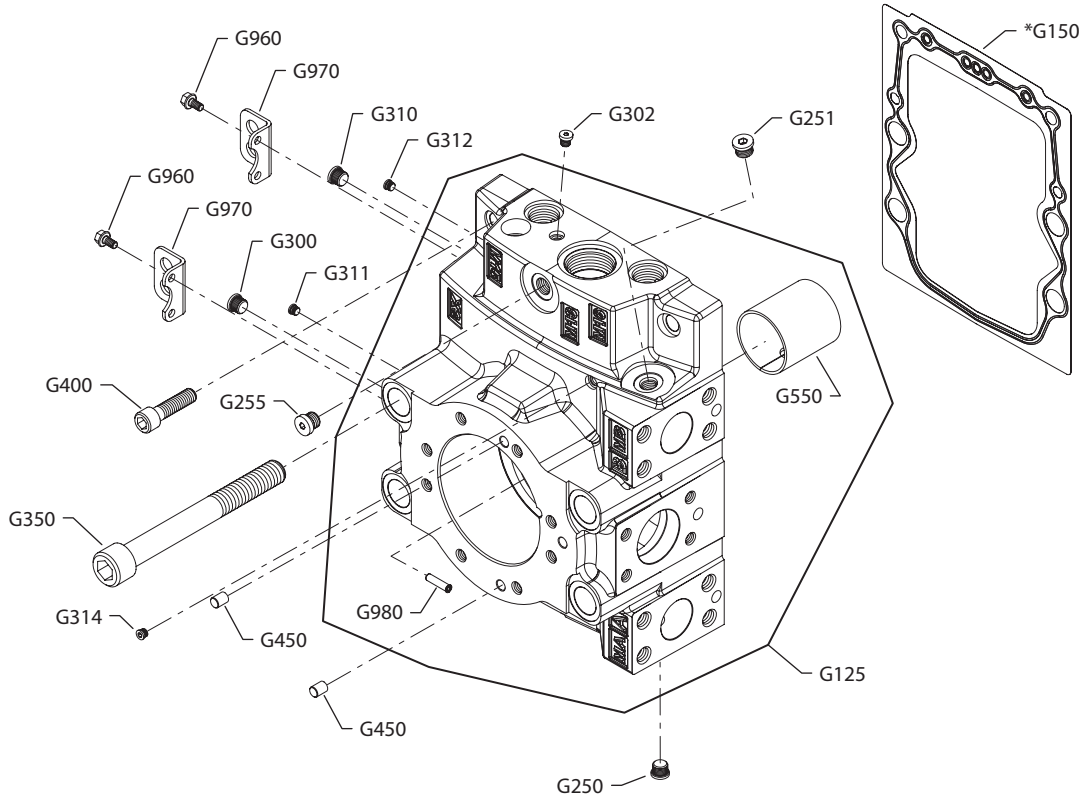

Variable displacement pump
End cap

Order Code	Item	Date Begin	Date End	Part Number	Part Name	Qty. per Model/Kit
J1 (CW)	G125	14-01		11147364	End cap assembly, CW (SAE port configuration)	1
	G125	14-01		11164438	End cap assembly, CW (metric port configuration)	1
	G150	14-01		11061613	End cap gasket	1
	G250	14-01		140644	Plug assembly (SAE port configuration)	1
	G250	14-01		11178808	Plug assembly (metric port configuration)	1
	G251	14-01		140644	Plug assembly (SAE port configuration)	1
	G251	14-01		11178808	Plug assembly (metric port configuration)	1
	G255	14-01		140644	Plug assembly (SAE port configuration)	1
	G255	14-01		11178808	Plug assembly (metric port configuration)	1
	G300	14-01		140644	Plug assembly (SAE port configuration)	1
	G300	14-01		11178808	Plug assembly (metric port configuration)	1
	G302	14-01		11040532	Plug assembly	1
	G310	14-01		140644	Plug assembly (SAE port configuration)	1
	G310	14-01		11178808	Plug assembly (metric port configuration)	1
	G311	14-01		11040532	Plug assembly	1
	G312	14-01		11040532	Plug assembly	2
	G314	14-01		11040532	Plug assembly	2
	G350	14-01		11061858	Screw, M24 x 180	4
	G400	14-01		11061859	Screw, M14 x 55	2
	G450	14-01		9004800-3708	Dowel pin	2
	G550	14-01		11061889	Journal bearing	1
	G960	14-01		508438	Screw, M6 x 12	4
	G970	14-01		4460311	Lifting bracket	2
	G980	14-01		11000229	Lubrication orifice	1
J1 (CCW)	G125	14-01		11168442	End cap assembly, CCW	1
	G150	14-01		11061613	End cap gasket	1
	G250	14-01		140644	Plug assembly	1
	G251	14-01		140644	Plug assembly	1
	G255	14-01		140644	Plug assembly	1
	G300	14-01		140644	Plug assembly	1
	G302	14-01		11040532	Plug assembly	1
	G310	14-01		140644	Plug assembly	1
	G311	14-01		11040532	Plug assembly	1
	G312	14-01		11040532	Plug assembly	1
	G313	14-01		11040532	Plug assembly	1
	G350	14-01		11061858	Screw, M24 x 180	4
	G400	14-01		11061859	Screw, M14 x 55	2
	G450	14-01		9004800-3708	Dowel pin	2
	G550	14-01		11061889	Journal bearing	1
	G960	14-01		508438	Screw, M6 x 12	4
	G970	14-01		4460311	Lifting bracket	2
	G980	14-01		11000229	Lubrication orifice	1



Variable displacement pump

(J4)



E103 459E

* = included in overhaul seal kit Q210

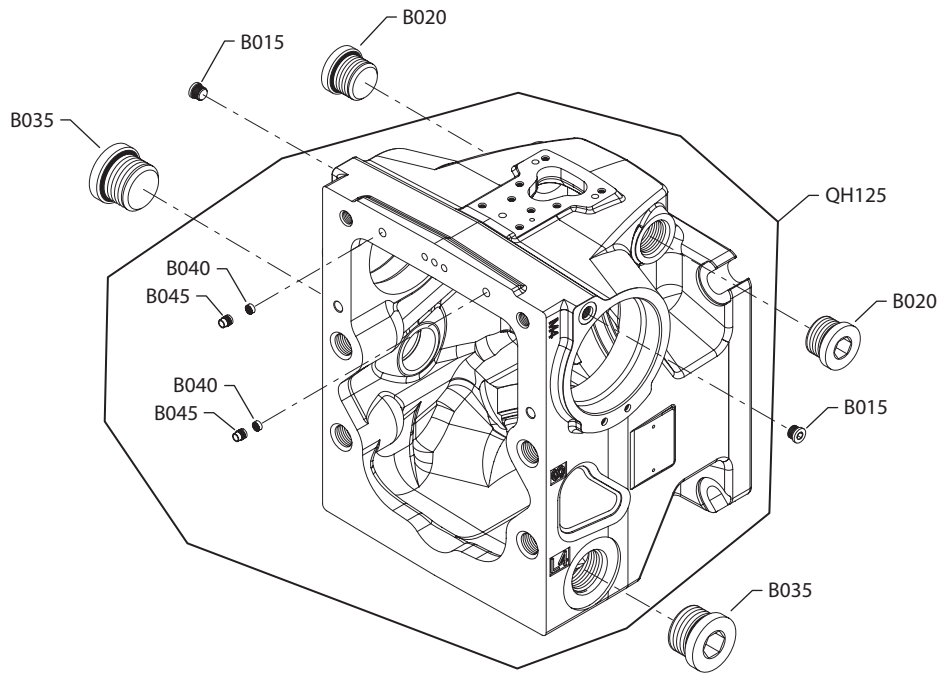

Variable displacement pump
End cap

Order Code	Item	Date Begin	Date End	Part Number	Part Name	Qty. per Model/Kit
J4	G125	14-01		11169764	End cap assembly, CW	1
	G150	14-01		11061613	End cap gasket	1
	G250	14-01		140644	Plug assembly	1
	G251	14-01		140644	Plug assembly	1
	G252	14-01		140644	Plug assembly	1
	G255	14-01		140644	Plug assembly	1
	G300	14-01		140644	Plug assembly	1
	G302	14-01		11040532	Plug assembly	1
	G310	14-01		140644	Plug assembly	1
	G311	14-01		11040532	Plug assembly	1
	G312	14-01		11040532	Plug assembly	1
	G314	14-01		11040532	Plug assembly	1
	G350	14-01		11061858	Screw, M24 x 180	4
	G400	14-01		11061859	Screw, M14 x 55	2
	G450	14-01		9004800-3708	Dowel pin	2
	G550	14-01		11061889	Journal bearing	1
	G960	14-01		508438	Screw, M6 x 12	4
	G970	14-01		4460311	Lifting bracket	2
	G980	14-01		11000229	Lubrication orifice	1

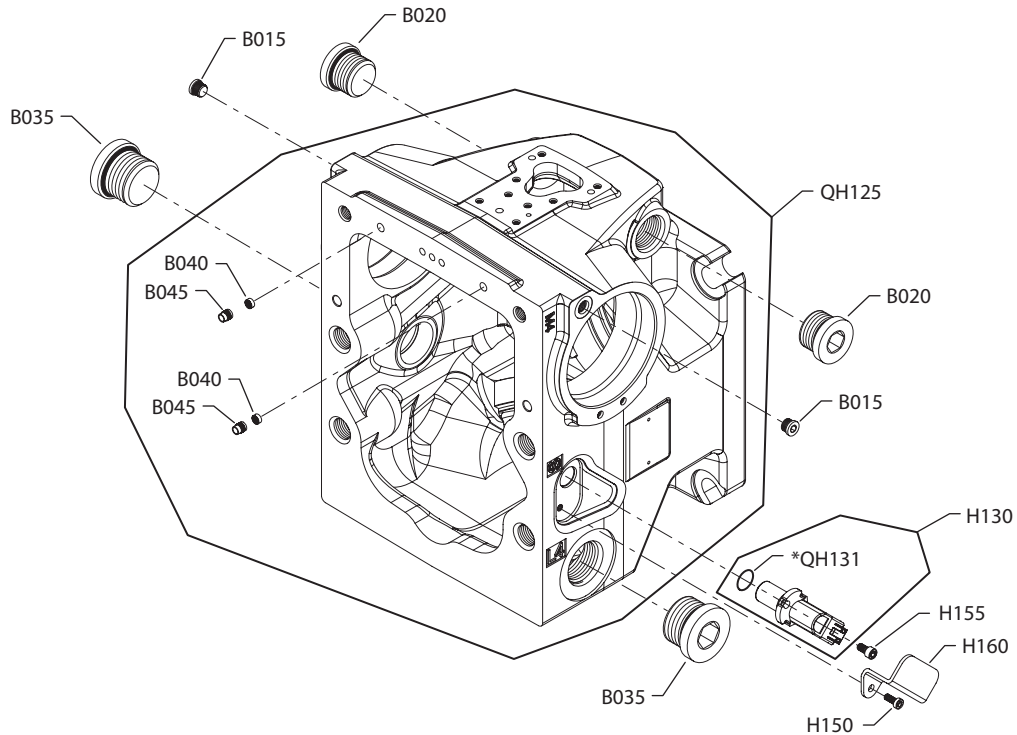


Variable displacement pump

(C)



(E)



E103 364E

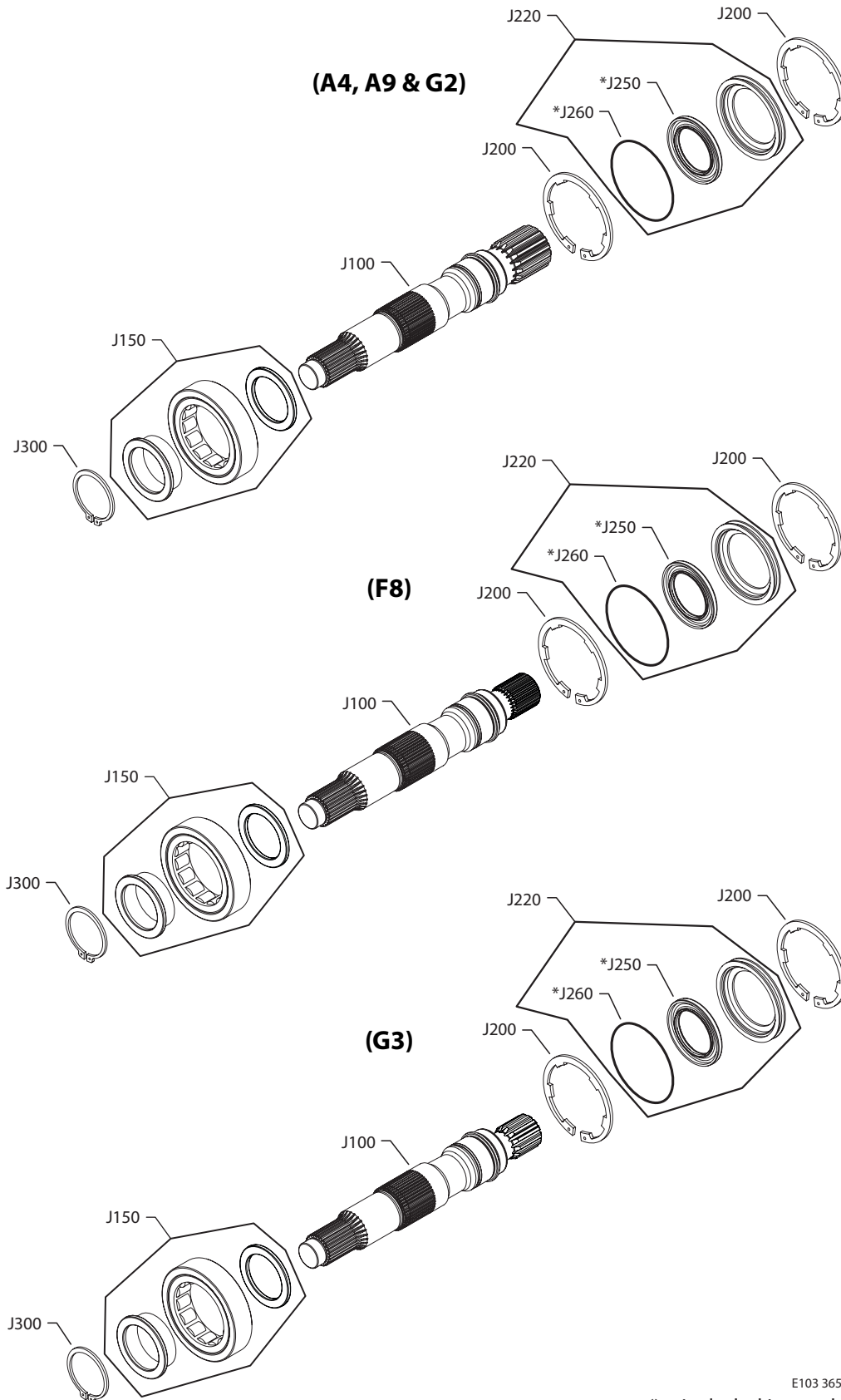
* = included in overhaul seal kit Q210


Variable displacement pump
Housing

Order Code	Item	Date Begin	Date End	Part Number	Part Name	Qty. per Model/Kit
C	B015	14-01		140642	Plug assembly (SAE port configuration)	2
	B020	14-01		320002 (9005110-9200)	Plug assembly (SAE port configuration)	2
	B035	14-01		676734 (9005110-9500)	Plug assembly (SAE port configuration)	2
	B040	14-01		140967	Screen, 8 mm, 125 micron	2
	B045	14-01		11062684	Screen retainer	2
	QH125	14-01		11078868	Housing assembly (SAE port configuration)	1
	C (metric	B015	14-01		5000572	Plug assembly, M12 (metric port configuration)
B020		14-01		11164204	Plug assembly, M33 (metric port configuration)	2
B035		14-01		11164205	Plug assembly, M42 (metric port configuration)	2
B040		14-01		140967	Screen, 8 mm, 125 micron	2
B045		14-01		11062684	Screen retainer	2
QH125		14-01		11164609	Housing assembly (metric port configuration)	1
E		B015	14-01		140642	Plug assembly
	B020	14-01		320002 (9005110-9200)	Plug assembly	2
	B035	14-01		676734 (9005110-9500)	Plug assembly	2
	B040	14-01		140967	Screen, 8 mm, 125 micron	2
	B045	14-01		11062684	Screen retainer	2
	H130	14-01		149055	Speed sensor assembly	1
	H150	14-01		508438	Screw, M6 x 12	1
	H155	14-01		376749	Screw, M6 x 12	1
	H160	14-01		11025029	Speed sensor protector	1
	QH125	14-01		11078867	Housing assembly (SB-2014-0??)	1
	QH131	14-01		11013397	O-ring	1



Variable displacement pump



E103 365E

* = included in overhaul seal kit Q210

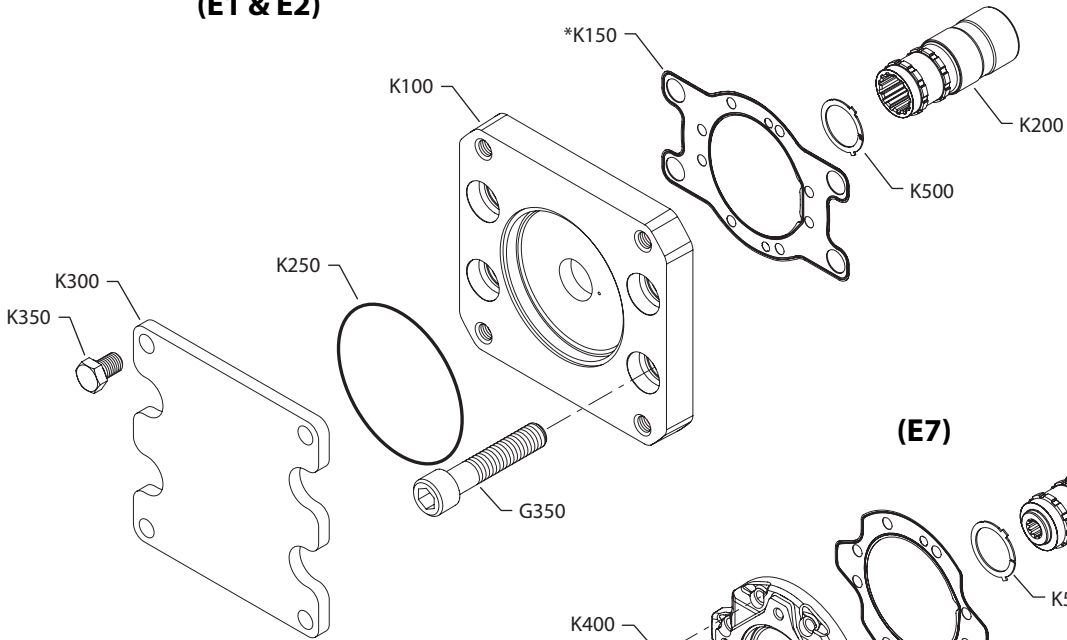

Variable displacement pump
Shaft

Order Code	Item	Date Begin	Date End	Part Number	Part Name	Qty. per Model/Kit
A4	J100	14-01		11148596	Shaft, 27 tooth spline, M16	1
	J150	14-01		11031971	Roller bearing	1
	J200	14-01		11062141	Retaining ring	2
	J220	14-01		11061439	Shaft seal assembly	1
	J250	14-01		11024711	Lip seal	1
	J260	14-01		056754	O-ring	1
	J300	14-01		11062140	Retaining ring	1
A9	J100	15-08		11031954	Shaft, 27 tooth spline	1
	J150	15-08		11031971	Roller bearing	1
	J200	15-08		11062141	Retaining ring	2
	J220	15-08		11157700	Shaft seal assembly	1
	J250	15-08		11066133	Lip seal	1
	J260	15-08		056754	O-ring	1
	J300	15-08		11062140	Retaining ring	1
F8	J100	14-01		11088222	Shaft, 17 tooth spline	1
	J150	14-01		11031971	Roller bearing	1
	J200	14-01		11062141	Retaining ring	2
	J220	14-01		11061439	Shaft seal assembly	1
	J250	14-01		11024711	Lip seal	1
	J260	14-01		056754	O-ring	1
	J300	14-01		11062140	Retaining ring	1
G2	J100	14-01		11031954	Shaft, 27 tooth spline	1
	J150	14-01		11031971	Roller bearing	1
	J200	14-01		11062141	Retaining ring	2
	J220	14-01		11061439	Shaft seal assembly	1
	J250	14-01		11024711	Lip seal	1
	J260	14-01		056754	O-ring	1
	J300	14-01		11062140	Retaining ring	1
G3	J100	14-01		11031952	Shaft, 13 tooth spline	1
	J150	14-01		11031971	Roller bearing	1
	J200	14-01		11062141	Retaining ring	2
	J220	14-01		11061439	Shaft seal assembly	1
	J250	14-01		11024711	Lip seal	1
	J260	14-01		056754	O-ring	1
	J300	14-01		11062140	Retaining ring	1

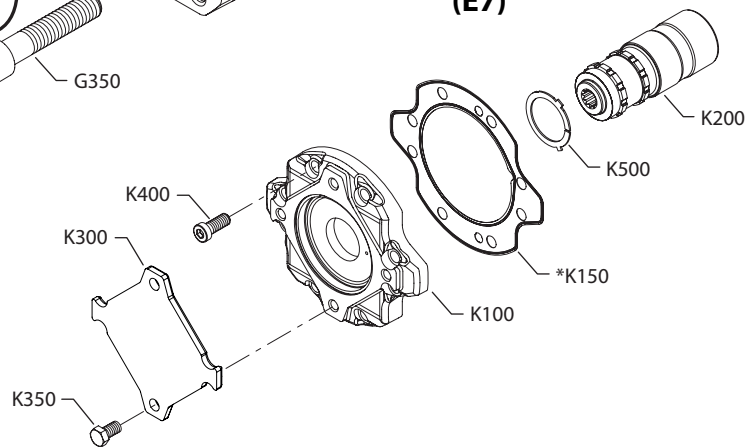


Variable displacement pump

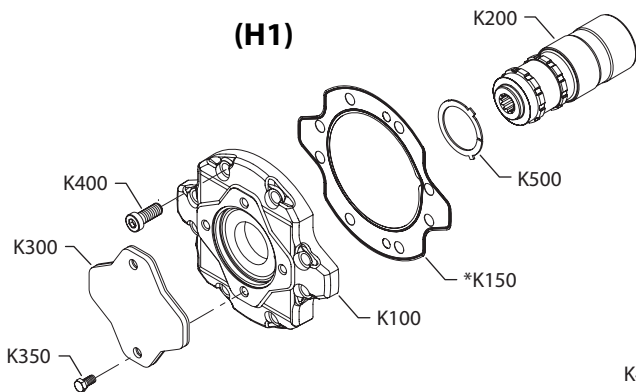
(E1 & E2)



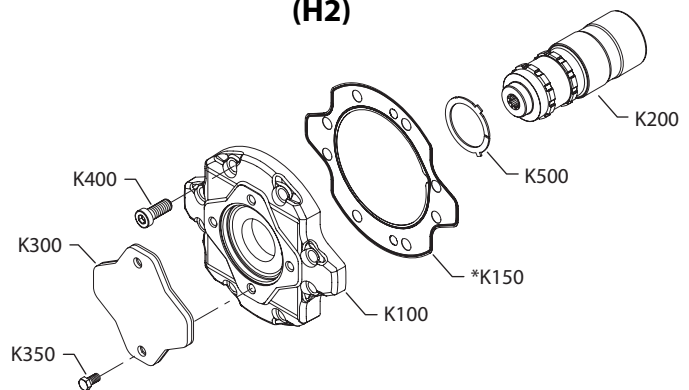
(E7)



(H1)



(H2)



E103 367E

* = included in overhaul seal kit Q210



Variable displacement pump

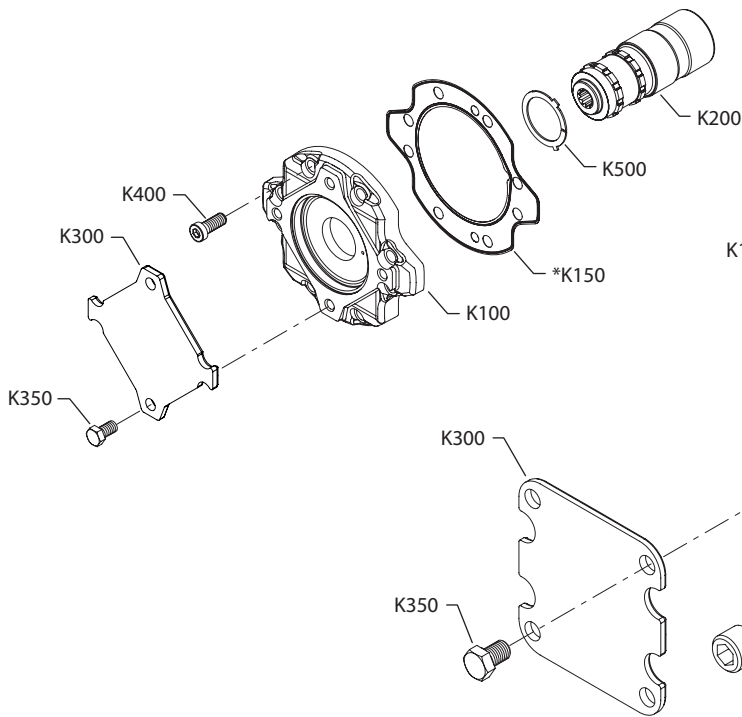
Auxiliary mounting

Order Code	Item	Date Begin	Date End	Part Number	Part Name	Qty. per Model/Kit
E1	K100	14-01		11069794	Adapter flange, SAE E	1
	K150	14-01		11069670	Adapter seal	1
	K200	14-01		11031960	Charge pump shaft, 13 tooth	1
	K250	14-01		505068	O-ring	1
	K300	14-01		11157214	Flange cover	1
	K350	14-01		11024165	Screw, M20 x 30	2
	K500	14-01		11001182	Thrust washer	1
	E2	K100	14-01		11069794	Adapter flange, SAE E
K150		14-01		11069670	Adapter seal	1
K200		14-01		11082010	Charge pump shaft, 27 tooth	1
K250		14-01		505068	O-ring	1
K300		14-01		11157214	Flange cover	1
K350		14-01		11024165	Screw, M20 x 30	2
K500		14-01		11001182	Thrust washer	1
E7		K100	16-08		11002192	Adapter flange, SAE B
	K150	16-08		11002236	Adapter seal	1
	K200	16-08		11138993	Charge pump shaft, 15 tooth	1
	K300	16-08		11023747	Flange cover	1
	K350	16-08		509528	Screw, M12 x 20	2
	K400	16-08		140700	Screw, M12 x 30	8
	K500	16-08		11001182	Thrust washer	1
	H1	K100	14-01		11002191	Adapter flange, SAE A
K150		14-01		11002236	Adapter seal	1
K200		14-01		11031956	Charge pump shaft, 11 tooth	1
K300		14-01		11017125	Flange cover	1
K350		14-01		370247	Screw, M10 x 20	2
K400		14-01		140700	Screw, M12 x 30	8
K500		14-01		11001182	Thrust washer	1
H2		K100	14-01		11002191	Adapter flange, SAE A
	K150	14-01		11002236	Adapter seal	1
	K200	14-01		11031955	Charge pump shaft, 9 tooth	1
	K300	14-01		11017125	Flange cover	1
	K350	14-01		370247	Screw, M10 x 20	2
	K400	14-01		140700	Screw, M12 x 30	8
	K500	14-01		11001182	Thrust washer	1

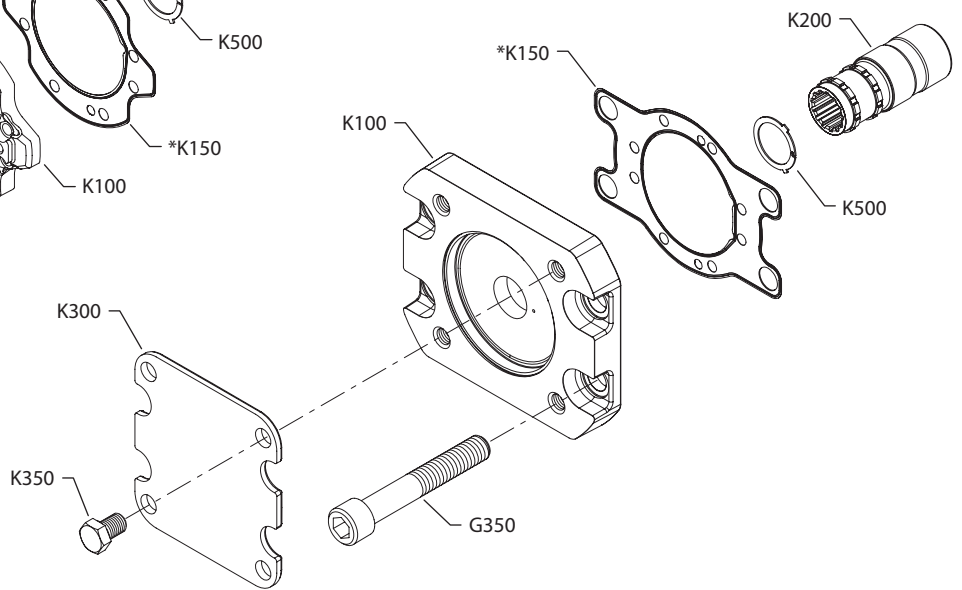


Variable displacement pump

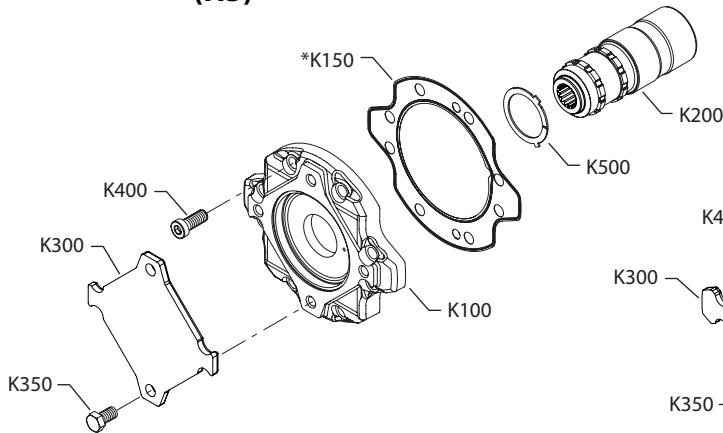
(H3)



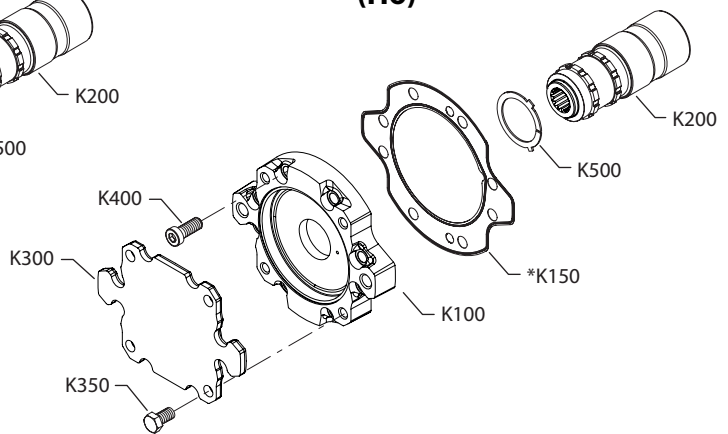
(H4)



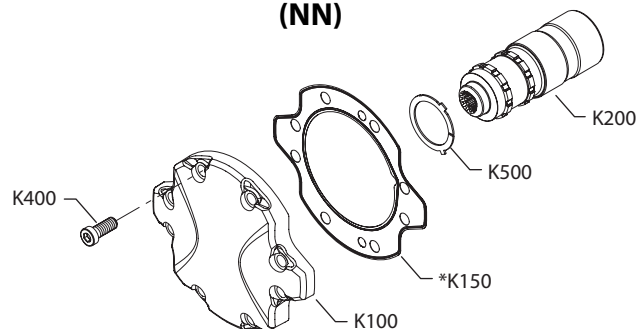
(H5)



(H6)



(NN)



E103 368E

* = included in overhaul seal kit Q210

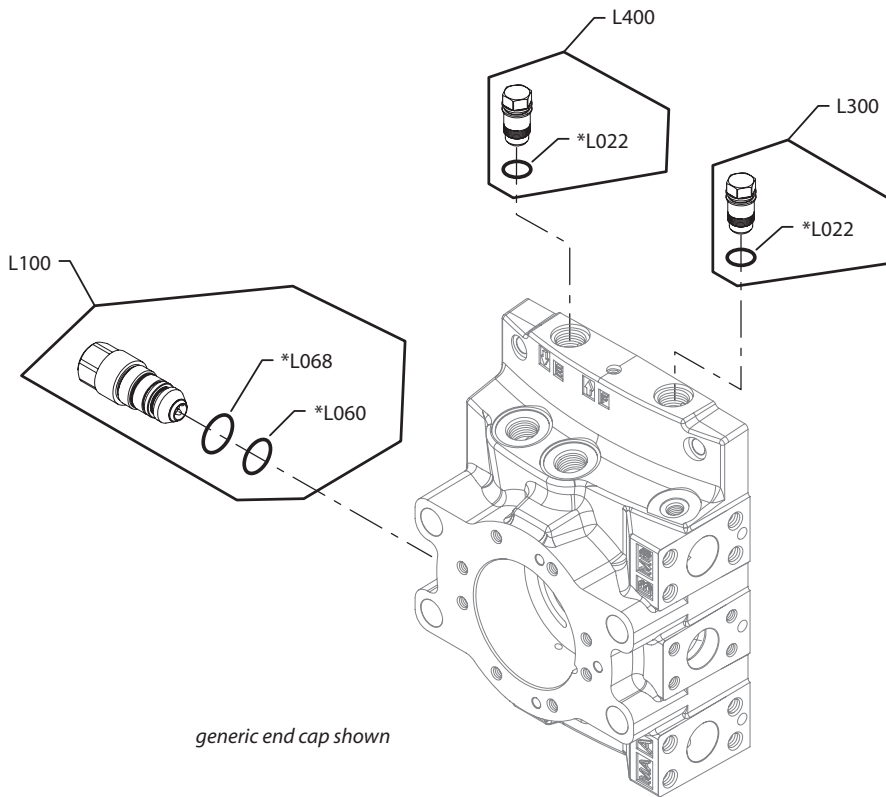

Variable displacement pump
Auxiliary mounting

Order Code	Item	Date Begin	Date End	Part Number	Part Name	Qty. per Model/Kit
H3	K100	14-01		11002192	Adapter flange, SAE B	1
	K150	14-01		11002236	Adapter seal	1
	K200	14-01		11031957	Charge pump shaft, 13 tooth, 16/32 pitch	1
	K300	14-01		11023747	Flange cover	1
	K350	14-01		509528	Screw, M12 x 20	2
	K400	14-01		140700	Screw, M12 x 30	8
	K500	14-01		11001182	Thrust washer	1
H4	K100	14-01		11069791	Adapter flange, SAE D	1
	K150	14-01		11069670	Adapter seal	1
	K200	14-01		11031960	Charge pump shaft, 13 tooth, 8/16 pitch	1
	K300	14-01		11023751	Flange cover	1
	K350	14-01		11024165	Screw, M20 x 30	4
	K500	14-01		11001182	Thrust washer	1
	H5	K100	14-01		11002192	Adapter flange, SAE B
K150		14-01		11002236	Adapter seal	1
K200		14-01		11031958	Charge pump shaft, 15 tooth, 16/32 pitch	1
K300		14-01		11023747	Flange cover	1
K350		14-01		509528	Screw, M12 x 20	2
K400		14-01		140700	Screw, M12 x 30	8
K500		14-01		11001182	Thrust washer	1
H6	K100	14-01		11002193	Adapter flange, SAE C	1
	K150	14-01		11002236	Adapter seal	1
	K200	14-01		11031959	Charge pump shaft, 14 tooth, 12/24 pitch	1
	K300	14-01		11023748	Flange cover	1
	K350	14-01		509528	Screw, M12 x 20	4
	K400	14-01		11071462	Screw, M12 x 35	8
	K500	14-01		11001182	Thrust washer	1
NN	K100	14-01		11002194	Adapter flange, no pad	1
	K150	14-01		11002236	Adapter seal	1
	K200	14-01		11031955	Charge pump shaft, 9 tooth, 16/32 pitch	1
	K400	14-01		140700	Screw, M12 x 30	8
	K500	14-01		11001182	Thrust washer	1



Variable displacement pump

(K20 - K46)





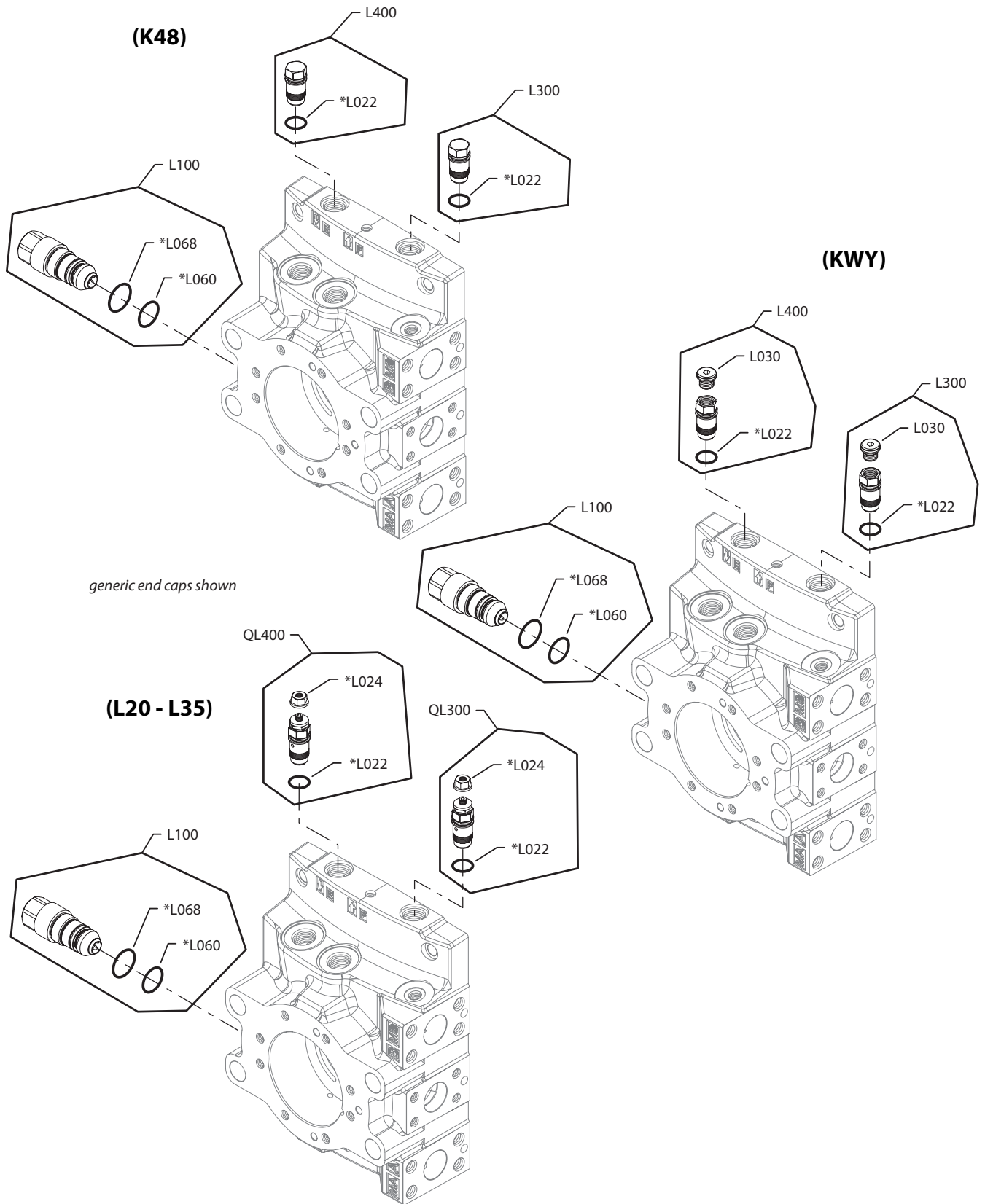
Variable displacement pump

High pressure setting, port A

Order Code	Item	Date Begin	Date End	Part Number	Part Name	Qty. per Model/Kit
all	L022	14-01		504207	O-ring	1
	L060	14-01		365023	O-ring	1
	L068	14-01		11052201	O-ring	1
K20	L100	14-01		11049144	High pressure relief valve, 200 bar	1
	L300	14-01		11002302	Pressure limiter plug assembly, CCW rotation pump	1
	L400	14-01		11002302	Pressure limiter plug assembly, CW rotation pump	1
K23	L100	14-01		11049146	High pressure relief valve, 230 bar	1
	L300	14-01		11002302	Pressure limiter plug assembly, CCW rotation pump	1
	L400	14-01		11002302	Pressure limiter plug assembly, CW rotation pump	1
K25	L100	14-01		11049147	High pressure relief valve, 250 bar	1
	L300	14-01		11002302	Pressure limiter plug assembly, CCW rotation pump	1
	L400	14-01		11002302	Pressure limiter plug assembly, CW rotation pump	1
K28	L100	14-01		11049148	High pressure relief valve, 280 bar	1
	L300	14-01		11002302	Pressure limiter plug assembly, CCW rotation pump	1
	L400	14-01		11002302	Pressure limiter plug assembly, CW rotation pump	1
K30	L100	14-01		11049149	High pressure relief valve, 300 bar	1
	L300	14-01		11002302	Pressure limiter plug assembly, CCW rotation pump	1
	L400	14-01		11002302	Pressure limiter plug assembly, CW rotation pump	1
K33	L100	14-01		11049150	High pressure relief valve, 330 bar	1
	L300	14-01		11002302	Pressure limiter plug assembly, CCW rotation pump	1
	L400	14-01		11002302	Pressure limiter plug assembly, CW rotation pump	1
K35	L100	14-01		11049151	High pressure relief valve, 350 bar	1
	L300	14-01		11002302	Pressure limiter plug assembly, CCW rotation pump	1
	L400	14-01		11002302	Pressure limiter plug assembly, CW rotation pump	1
K38	L100	14-01		11049152	High pressure relief valve, 380 bar	1
	L300	14-01		11002302	Pressure limiter plug assembly, CCW rotation pump	1
	L400	14-01		11002302	Pressure limiter plug assembly, CW rotation pump	1
K40	L100	14-01		11049153	High pressure relief valve, 400 bar	1
	L300	14-01		11002302	Pressure limiter plug assembly, CCW rotation pump	1
	L400	14-01		11002302	Pressure limiter plug assembly, CW rotation pump	1
K42	L100	14-01		11049154	High pressure relief valve, 420 bar	1
	L300	14-01		11002302	Pressure limiter plug assembly, CCW rotation pump	1
	L400	14-01		11002302	Pressure limiter plug assembly, CW rotation pump	1
K45	L100	14-01		11049155	High pressure relief valve, 450 bar	1
	L300	14-01		11002302	Pressure limiter plug assembly, CCW rotation pump	1
	L400	14-01		11002302	Pressure limiter plug assembly, CW rotation pump	1
K46	L100	14-01		11106573	High pressure relief valve, 460 bar	1
	L300	14-01		11002302	Pressure limiter plug assembly, CCW rotation pump	1
	L400	14-01		11002302	Pressure limiter plug assembly, CW rotation pump	1



Variable displacement pump



E103 458E

* = included in overhaul seal kit Q210

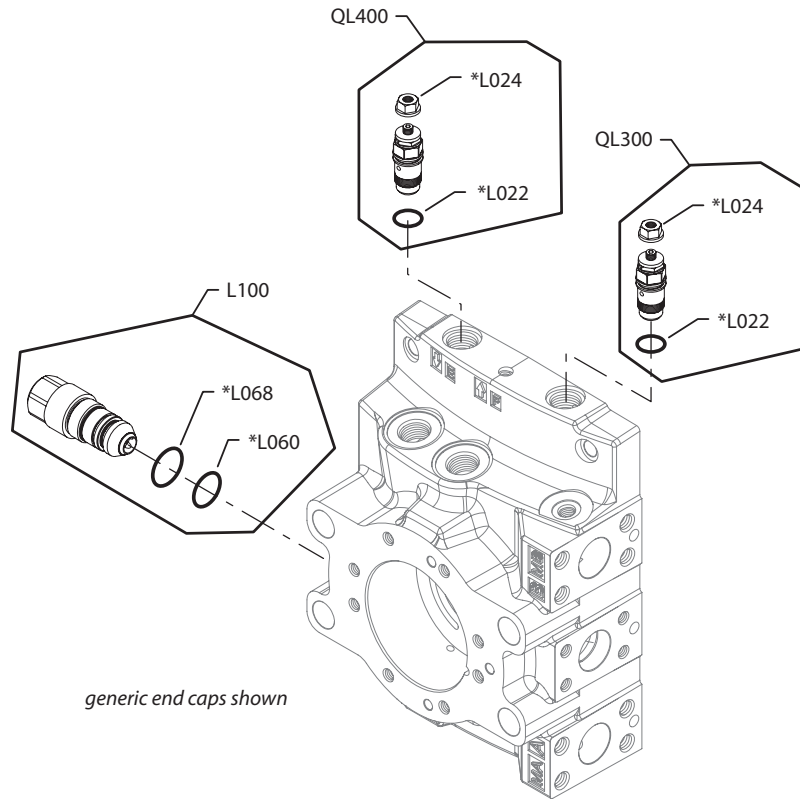

Variable displacement pump
High pressure setting, port A

Order Code	Item	Date Begin	Date End	Part Number	Part Name	Qty. per Model/Kit
all	L022	14-01		504207	O-ring	1
	L060	14-01		365023	O-ring	1
	L068	14-01		11052201	O-ring	1
K48	L100	14-01		11049156	High pressure relief valve, 480 bar	1
	L300	14-01		11002302	Pressure limiter plug assembly, CCW rotation pump	1
	L400	14-01		11002302	Pressure limiter plug assembly, CW rotation pump	1
KWY	L030	14-01		513443	Plug assembly	1
	L100	14-01		11049155	High pressure relief valve, 450 bar	1
	L300	14-01		11035112	Pressure sensor plug assembly, CCW rotation pump	1
	L400	14-01		11035112	Pressure sensor plug assembly, CW rotation pump	1
L20	L024	14-01		336826	Seal nut, M10	1
	L100	14-01		11049147	High pressure relief valve, 250 bar	1
	QL300	14-01		11119002	Pressure limiter kit, adjustable, CCW, set at 200 bar	1
	QL400	14-01		11119002	Pressure limiter kit, adjustable, CW, set at 200 bar	1
L23	L024	14-01		336826	Seal nut, M10	1
	L100	14-01		11049148	High pressure relief valve, 280 bar	1
	QL300	14-01		11119002	Pressure limiter kit, adjustable, CCW, set at 230 bar	1
	QL400	14-01		11119002	Pressure limiter kit, adjustable, CW, set at 230 bar	1
L25	L024	14-01		336826	Seal nut, M10	1
	L100	14-01		11049149	High pressure relief valve, 300 bar	1
	QL300	14-01		11119002	Pressure limiter kit, adjustable, CCW, set at 250 bar	1
	QL400	14-01		11119002	Pressure limiter kit, adjustable, CW, set at 250 bar	1
L28	L024	14-01		336826	Seal nut, M10	1
	L100	14-01		11049150	High pressure relief valve, 330 bar	1
	QL300	14-01		11119002	Pressure limiter kit, adjustable, CCW, set at 280 bar	1
	QL400	14-01		11119002	Pressure limiter kit, adjustable, CW, set at 280 bar	1
L30	L024	14-01		336826	Seal nut, M10	1
	L100	14-01		11049151	High pressure relief valve, 350 bar	1
	QL300	14-01		11119002	Pressure limiter kit, adjustable, CCW, set at 300 bar	1
	QL400	14-01		11119002	Pressure limiter kit, adjustable, CW, set at 300 bar	1
L33	L024	14-01		336826	Seal nut, M10	1
	L100	14-01		11049152	High pressure relief valve, 380 bar	1
	QL300	14-01		11119002	Pressure limiter kit, adjustable, CCW, set at 330 bar	1
	QL400	14-01		11119002	Pressure limiter kit, adjustable, CW, set at 330 bar	1
L35	L024	14-01		336826	Seal nut, M10	1
	L100	14-01		11049153	High pressure relief valve, 400 bar	1
	QL300	14-01		11119002	Pressure limiter kit, adjustable, CCW, set at 350 bar	1
	QL400	14-01		11119002	Pressure limiter kit, adjustable, CW, set at 350 bar	1



Variable displacement pump

(L38 - L47)





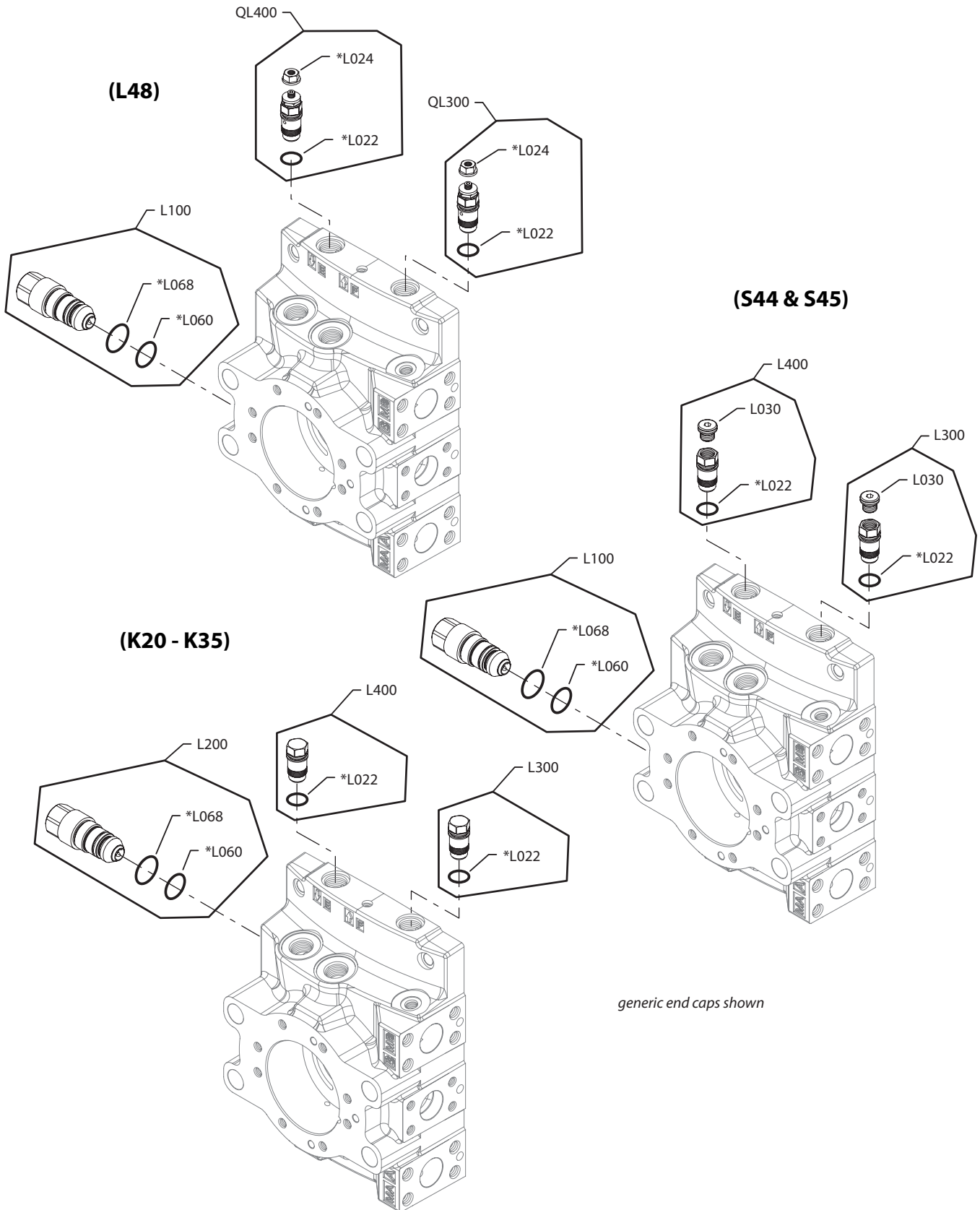
Variable displacement pump

High pressure setting, port A

Order Code	Item	Date Begin	Date End	Part Number	Part Name	Qty. per Model/Kit
all	L022	14-01		504207	O-ring	1
	L024	14-01		336826	Seal nut	1
	L060	14-01		365023	O-ring	1
	L068	14-01		11052201	O-ring	1
L38	L100	14-01		11049154	High pressure relief valve, 420 bar	1
	QL300	14-01		11119002	Pressure limiter kit, adjustable, CCW, set at 380 bar	1
	QL400	14-01		11119002	Pressure limiter kit, adjustable, CW, set at 380 bar	1
L40	L100	14-01		11049155	High pressure relief valve, 450 bar	1
	QL300	14-01		11119002	Pressure limiter kit, adjustable, CCW, set at 400 bar	1
	QL400	14-01		11119002	Pressure limiter kit, adjustable, CW, set at 400 bar	1
L41	L100	14-01		11049155	High pressure relief valve, 450 bar	1
	QL300	14-01		11119002	Pressure limiter kit, adjustable, CCW, set at 410 bar	1
	QL400	14-01		11119002	Pressure limiter kit, adjustable, CW, set at 410 bar	1
L42	L024	14-01		336826	Seal nut	1
	L100	14-01		11049155	High pressure relief valve, 450 bar	1
	QL300	14-01		11119002	Pressure limiter kit, adjustable, CCW, set at 420 bar	1
	QL400	14-01		11119002	Pressure limiter kit, adjustable, CW, set at 420 bar	1
L43	L024	14-01		336826	Seal nut	1
	L100	14-01		11049156	High pressure relief valve, 480 bar	1
	QL300	14-01		11119002	Pressure limiter kit, adjustable, CCW, set at 430 bar	1
	QL400	14-01		11119002	Pressure limiter kit, adjustable, CW, set at 430 bar	1
L44	L024	14-01		336826	Seal nut	1
	L100	14-01		11049156	High pressure relief valve, 480 bar	1
	QL300	14-01		11119002	Pressure limiter, adjustable, CCW, set at 440 bar	1
	QL400	14-01		11119002	Pressure limiter, adjustable, CW, set at 440 bar	1
L45	L024	14-01		336826	Seal nut	1
	L100	14-01		11049156	High pressure relief valve, 480 bar	1
	QL300	14-01		11119002	Pressure limiter, adjustable, CCW, set at 450 bar	1
	QL400	14-01		11119002	Pressure limiter, adjustable, CW, set at 450 bar	1
L46	L024	14-01		336826	Seal nut	1
	L100	14-01		11049157	High pressure relief valve, 510 bar	1
	QL300	14-01		11119002	Pressure limiter, adjustable, CCW, set at 460 bar	1
	QL400	14-01		11119002	Pressure limiter, adjustable, CW, set at 460 bar	1
L47	L024	14-01		336826	Seal nut	1
	L100	14-01		11049157	High pressure relief valve, 510 bar	1
	QL300	14-01		11119002	Pressure limiter, adjustable, CCW, set at 470 bar	1
	QL400	14-01		11119002	Pressure limiter, adjustable, CW, set at 470 bar	1



Variable displacement pump



E103 371E

* = included in overhaul seal kit Q210


Variable displacement pump
High pressure setting, port A

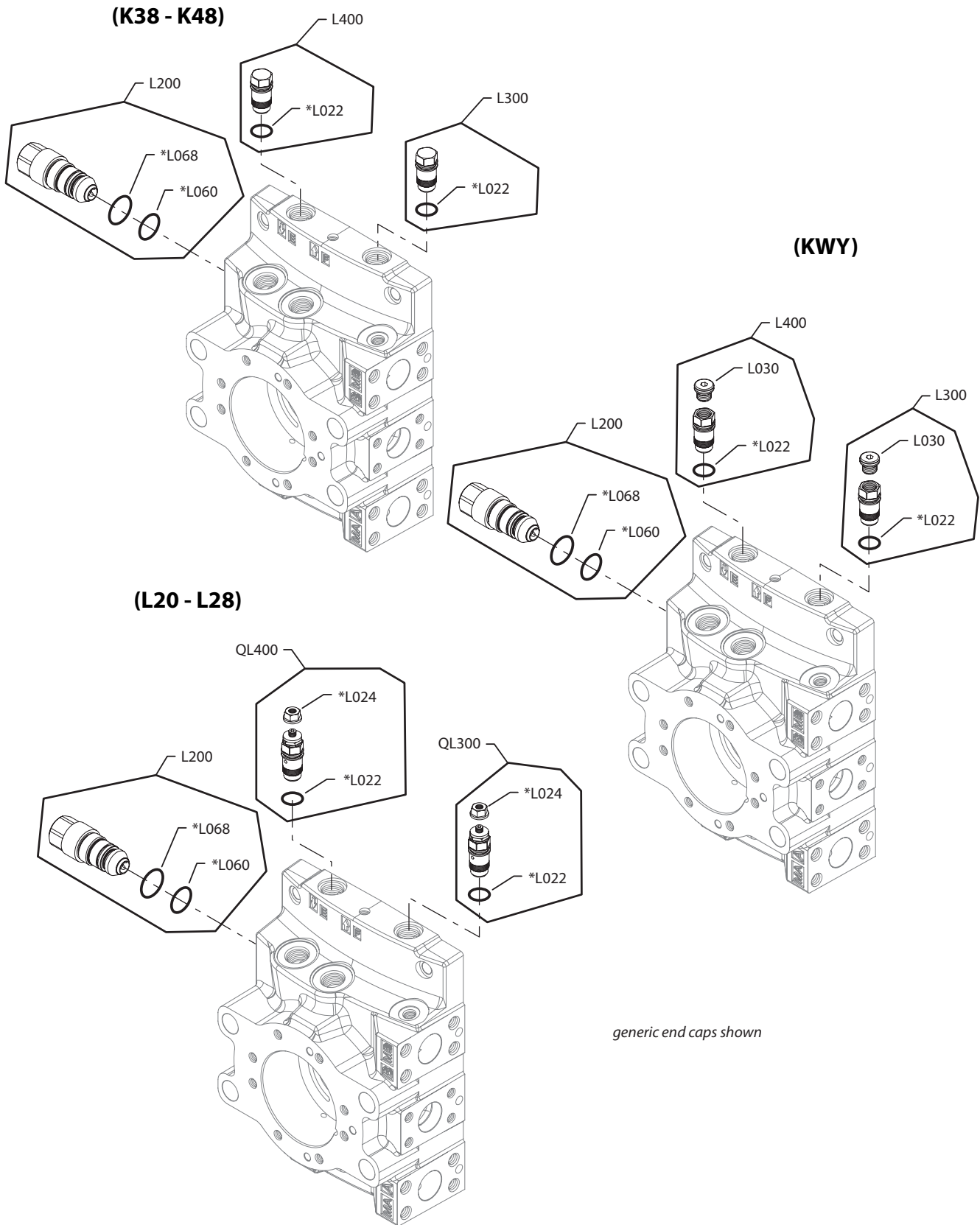
Order Code	Item	Date Begin	Date End	Part Number	Part Name	Qty. per Model/Kit
all	L022	14-01		504207	O-ring	1
	L060	14-01		365023	O-ring	1
	L068	14-01		11052201	O-ring	1
L48	L024	14-01		336826	Seal nut	1
	L100	14-01		11049157	High pressure relief valve, 510 bar	1
	QL300	14-01		11119002	Pressure limiter, adjustable, CCW, set at 480 bar	1
	QL400	14-01		11119002	Pressure limiter, adjustable, CW, set at 480 bar	1
S44	L030	14-01		140644	Plug assembly	1
	L100	14-01		11116160	High pressure relief valve, 440 bar	1
	L300	14-01		11085422	Pressure sensor plug assembly, CCW, set at 440 bar	1
	L400	14-01		11085422	Pressure sensor plug assembly, CW, set at 440 bar	1
S45	L030	14-01		140644	Plug assembly	1
	L100	14-01		11049155	High pressure relief valve, 450 bar	1
	L300	14-01		11085422	Pressure sensor plug assembly, CCW, set at 440 bar	1
	L400	14-01		11085422	Pressure sensor plug assembly, CW, set at 440 bar	1

High pressure setting, port B

K20	L200	14-01		11049144	High pressure relief valve, 200 bar	1
	L300	14-01		11002302	Pressure limiter plug assembly, CW rotation pump	1
	L400	14-01		11002302	Pressure limiter plug assembly, CCW rotation pump	1
K23	L200	14-01		11049146	High pressure relief valve, 230 bar	1
	L300	14-01		11002302	Pressure limiter plug assembly, CW rotation pump	1
	L400	14-01		11002302	Pressure limiter plug assembly, CCW rotation pump	1
K25	L200	14-01		11049147	High pressure relief valve, 250 bar	1
	L300	14-01		11002302	Pressure limiter plug assembly, CW rotation pump	1
	L400	14-01		11002302	Pressure limiter plug assembly, CCW rotation pump	1
K28	L200	14-01		11049148	High pressure relief valve, 280 bar	1
	L300	14-01		11002302	Pressure limiter plug assembly, CW rotation pump	1
	L400	14-01		11002302	Pressure limiter plug assembly, CCW rotation pump	1
K30	L200	14-01		11049149	High pressure relief valve, 300 bar	1
	L300	14-01		11002302	Pressure limiter plug assembly, CW rotation pump	1
	L400	14-01		11002302	Pressure limiter plug assembly, CCW rotation pump	1
K33	L200	14-01		11049150	High pressure relief valve, 330 bar	1
	L300	14-01		11002302	Pressure limiter plug assembly, CW rotation pump	1
	L400	14-01		11002302	Pressure limiter plug assembly, CCW rotation pump	1
K35	L200	14-01		11049151	High pressure relief valve, 350 bar	1
	L300	14-01		11002302	Pressure limiter plug assembly, CW rotation pump	1
	L400	14-01		11002302	Pressure limiter plug assembly, CCW rotation pump	1



Variable displacement pump



E103 372E

* = included in overhaul seal kit Q210



Variable displacement pump

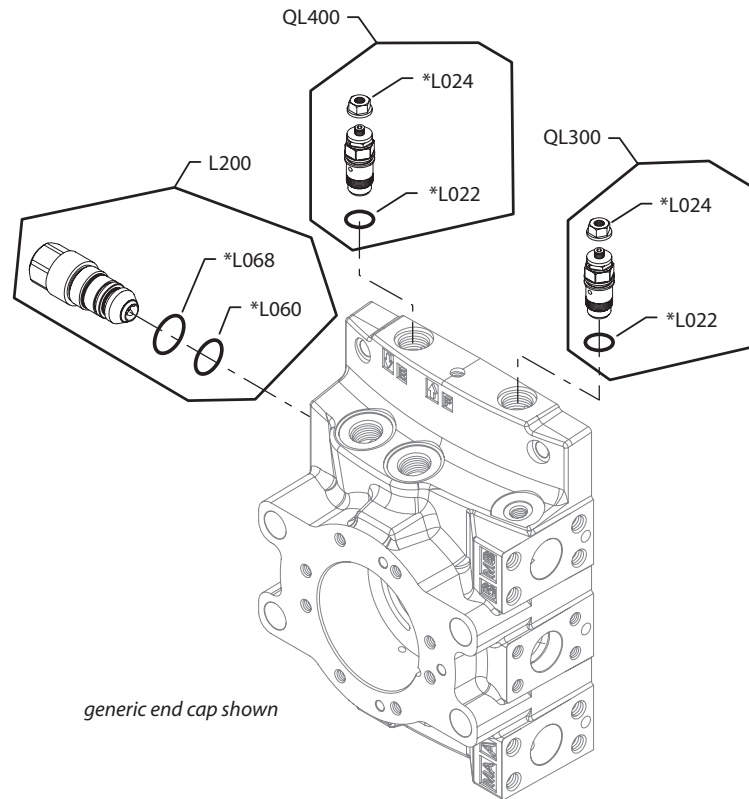
High pressure setting, port B

Order Code	Item	Date Begin	Date End	Part Number	Part Name	Qty. per Model/Kit
all	L022	14-01		504207	O-ring	1
	L060	14-01		365023	O-ring	1
	L068	14-01		11052201	O-ring	1
K38	L200	14-01		11049152	High pressure relief valve, 380 bar	1
	L300	14-01		11002302	Pressure limiter plug assembly, CW rotation pump	1
	L400	14-01		11002302	Pressure limiter plug assembly, CCW rotation pump	1
K40	L200	14-01		11049153	High pressure relief valve, 400 bar	1
	L300	14-01		11002302	Pressure limiter plug assembly, CW rotation pump	1
	L400	14-01		11002302	Pressure limiter plug assembly, CCW rotation pump	1
K42	L200	14-01		11049154	High pressure relief valve, 420 bar	1
	L300	14-01		11002302	Pressure limiter plug assembly, CW rotation pump	1
	L400	14-01		11002302	Pressure limiter plug assembly, CCW rotation pump	1
K45	L200	14-01		11049155	High pressure relief valve, 450 bar	1
	L300	14-01		11002302	Pressure limiter plug assembly, CW rotation pump	1
	L400	14-01		11002302	Pressure limiter plug assembly, CCW rotation pump	1
K46	L200	14-01		11106573	High pressure relief valve, 460 bar	1
	L300	14-01		11002302	Pressure limiter plug assembly, CW rotation pump	1
	L400	14-01		11002302	Pressure limiter plug assembly, CCW rotation pump	1
K48	L200	14-01		11049156	High pressure relief valve, 480 bar	1
	L300	14-01		11002302	Pressure limiter plug assembly, CW rotation pump	1
	L400	14-01		11002302	Pressure limiter plug assembly, CCW rotation pump	1
KWY	L030	14-01		513443	Plug assembly	1
	L200	14-01		11049155	High pressure relief valve, 450 bar	1
	L300	14-01		11035112	Pressure sensor plug assembly, CW rotation pump	1
	L400	14-01		11035112	Pressure sensor plug assembly, CCW rotation pump	1
L20	L024	14-01		336826	Seal nut	1
	L200	14-01		11049147	High pressure relief valve, 250 bar	1
	QL300	14-01		11119002	Pressure limiter, adjustable, CW, set at 200 bar	1
	QL400	14-01		11119002	Pressure limiter, adjustable, CCW, set at 200 bar	1
L23	L024	14-01		336826	Seal nut	1
	L200	14-01		11049148	High pressure relief valve, 280 bar	1
	QL300	14-01		11119002	Pressure limiter, adjustable, CW, set at 230 bar	1
	QL400	14-01		11119002	Pressure limiter, adjustable, CCW, set at 230 bar	1
L25	L200	14-01		11049149	High pressure relief valve, 300 bar	1
	QL300	14-01		11119002	Pressure limiter, adjustable, CW, set at 250 bar	1
	QL400	14-01		11119002	Pressure limiter, adjustable, CCW, set at 250 bar	1
L28	L200	14-01		11049150	High pressure relief valve, 330 bar	1
	QL300	14-01		11119002	Pressure limiter, adjustable, CW, set at 280 bar	1
	QL400	14-01		11119002	Pressure limiter, adjustable, CCW, set at 280 bar	1



Variable displacement pump

(L30 - L48)



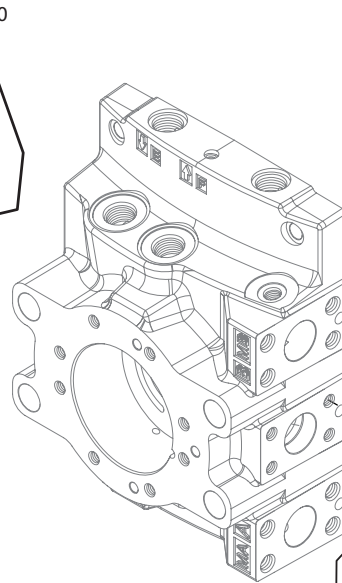
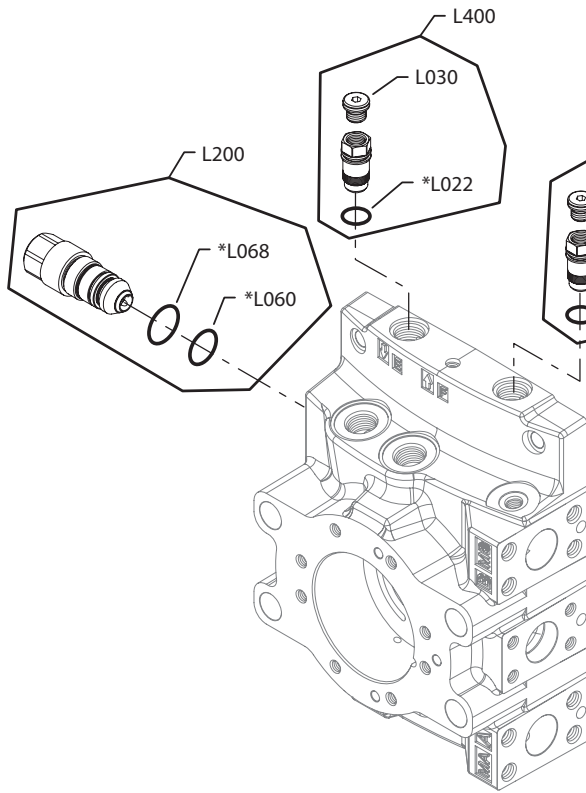

Variable displacement pump
High pressure setting, port B

Order Code	Item	Date Begin	Date End	Part Number	Part Name	Qty. per Model/Kit
all	L022	14-01		504207	O-ring	1
	L024	14-01		336826	Seal nut	1
	L060	14-01		365023	O-ring	1
	L068	14-01		11052201	O-ring	1
L30	L200	14-01		11049151	High pressure relief valve, 350 bar	1
	QL300	14-01		11119002	Pressure limiter, adjustable, CW, set at 300 bar	1
	QL400	14-01		11119002	Pressure limiter, adjustable, CCW, set at 300 bar	1
L33	L200	14-01		11049152	High pressure relief valve, 380 bar	1
	QL300	14-01		11119002	Pressure limiter, adjustable, CW, set at 330 bar	1
	QL400	14-01		11119002	Pressure limiter, adjustable, CCW, set at 330 bar	1
L35	L200	14-01		11049153	High pressure relief valve, 400 bar	1
	QL300	14-01		11119002	Pressure limiter, adjustable, CW, set at 350 bar	1
	QL400	14-01		11119002	Pressure limiter, adjustable, CCW, set at 350 bar	1
L38	L200	14-01		11049154	High pressure relief valve, 420 bar	1
	QL300	14-01		11119002	Pressure limiter, adjustable, CW, set at 380 bar	1
	QL400	14-01		11119002	Pressure limiter, adjustable, CCW, set at 380 bar	1
L40	L200	14-01		11049155	High pressure relief valve, 450 bar	1
	QL300	14-01		11119002	Pressure limiter, adjustable, CW, set at 400 bar	1
	QL400	14-01		11119002	Pressure limiter, adjustable, CCW, set at 400 bar	1
L42	L200	14-01		11049155	High pressure relief valve, 450 bar	1
	QL300	14-01		11119002	Pressure limiter, adjustable, CW, set at 420 bar	1
	QL400	14-01		11119002	Pressure limiter, adjustable, CCW, set at 420 bar	1
L44	L200	14-01		11049156	High pressure relief valve, 480 bar	1
	QL300	14-01		11119002	Pressure limiter, adjustable, CW, set at 440 bar	1
	QL400	14-01		11119002	Pressure limiter, adjustable, CCW, set at 440 bar	1
L45	L200	14-01		11049156	High pressure relief valve, 480 bar	1
	QL300	14-01		11119002	Pressure limiter, adjustable, CW, set at 450 bar	1
	QL400	14-01		11119002	Pressure limiter, adjustable, CCW, set at 450 bar	1
L46	L024	14-01		336826	Seal nut	1
	L200	14-01		11049157	High pressure relief valve, 510 bar	1
	QL300	14-01		11119002	Pressure limiter, adjustable, CW, set at 460 bar	1
	QL400	14-01		11119002	Pressure limiter, adjustable, CCW, set at 460 bar	1
L47	L024	14-01		336826	Seal nut	1
	L200	14-01		11049157	High pressure relief valve, 510 bar	1
	QL300	14-01		11119002	Pressure limiter, adjustable, CW, set at 470 bar	1
	QL400	14-01		11119002	Pressure limiter, adjustable, CCW, set at 470 bar	1
L48	L024	14-01		336826	Seal nut	1
	L200	14-01		11049157	High pressure relief valve, 510 bar	1
	QL300	14-01		11119002	Pressure limiter, adjustable, CW, set at 480 bar	1
	QL400	14-01		11119002	Pressure limiter, adjustable, CCW, set at 480 bar	1

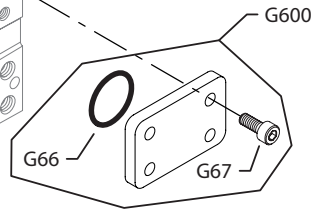


Variable displacement pump

(S44 & S45)

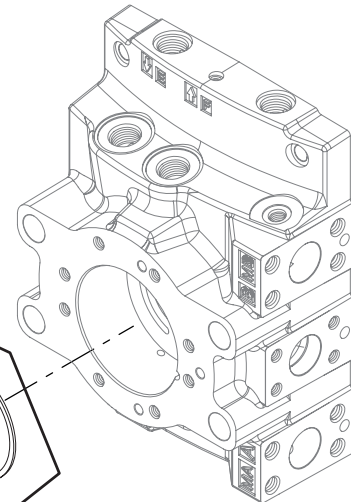
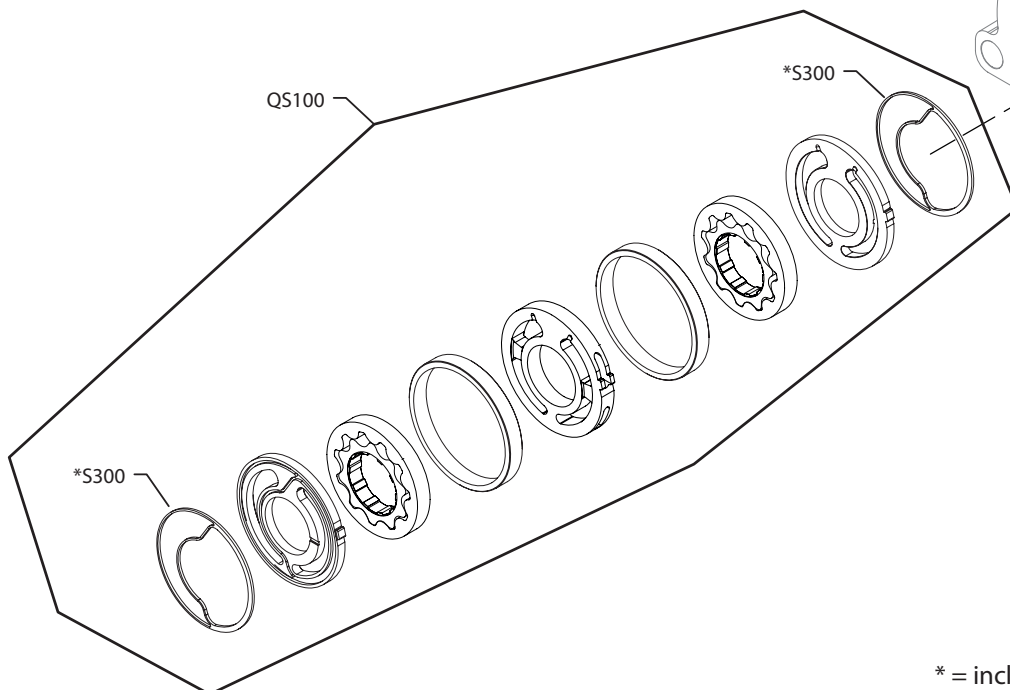


(N)



generic end cap shown

(R, W & Y)



E103 374E

* = included in overhaul seal kit Q210



Variable displacement pump

High pressure setting, port B

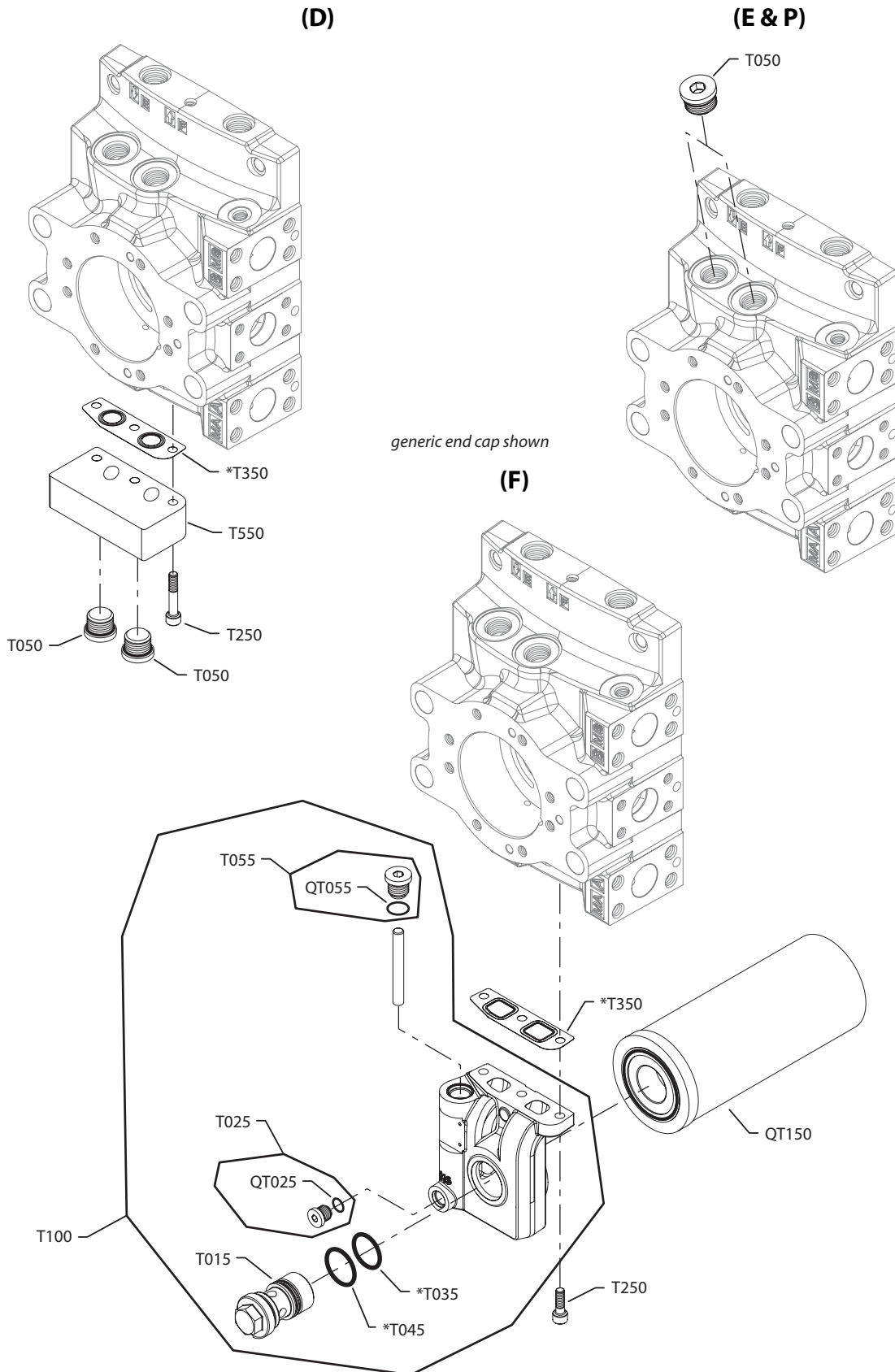
Order Code	Item	Date Begin	Date End	Part Number	Part Name	Qty. per Model/Kit
all	L022	14-01		504207	O-ring	1
	L060	14-01		365023	O-ring	1
	L068	14-01		11052201	O-ring	1
S44	L030	14-01		140644	Plug assembly	1
	L200	14-01		11116160	High pressure relief valve, 440 bar	1
	L300	14-01		11085422	Pressure sensor adapter, CW	1
	L400	14-01		11085422	Pressure sensor adapter, CCW	1
S45	L030	14-01		140644	Plug assembly	1
	L200	14-01		11040155	High pressure relief valve, 450 bar	1
	L300	14-01		11085422	Pressure sensor adapter, CW	1
	L400	14-01		11085422	Pressure sensor adapter, CCW	1

Charge pump

N	G66	14-01		916783	O-ring	1
	G67	14-01		11000819	Screw, M12 x 25	4
	G600	14-01		11070638	Cover assembly	1
R	QS100	14-01		11070194	Charge pump kit, 52 cc	1
	S300	14-01		11126778	Seal ring	2
W	QS100	14-01		11070193	Charge pump kit, 60 cc	1
	S300	14-01		11126778	Seal ring	2
Y	QS100	15-28		11147425	Charge pump kit, 60 cc, special	1
	S300	15-28		11126778	Seal ring	2



Variable displacement pump



E103 375E

* = included in overhaul seal kit Q210

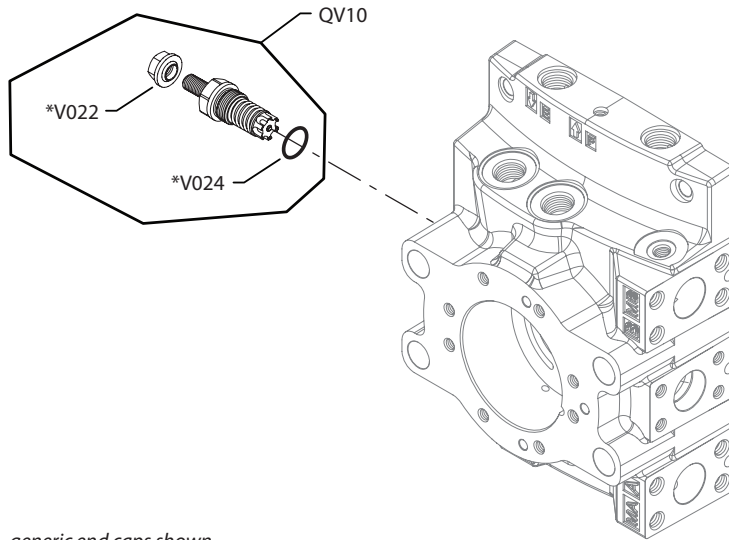

Variable displacement pump
Filtration

Order Code	Item	Date Begin	Date End	Part Number	Part Name	Qty. per Model/Kit	
D	T050	15-28		320002 (9005110-9200)	Plug assembly	2	
	T250	15-28		092106	Screw, M8 x 35	3	
	T350	15-28		11146745	Gasket	1	
	T550	15-28		11155619	Filter adapter	1	
E	T050	14-01		664524 (9005110-9000)	Plug assembly	2	
F	QT025	14-01		085043 (9004201-3700)	O-ring, (SAE port configuration)	1	
	QT025	14-01		5000463	O-ring, (metric port configuration)	1	
	QT055	14-01		001131 (9004201-2500)	O-ring	1	
	QT150	14-01		11004919	Filter assembly	1	
	T015	14-01		11146739	Filter adapter screw	1	
	T025	14-01		141269	Plug assembly, (SAE port configuration)	1	
	T025	14-01		11163465	Plug assembly, M14, (metric port configuration)	1	
	T035	14-01		761148 (9004100-0260)	O-ring	1	
	T045	14-01		314500 (9004100-1250)	O-ring	1	
	T055	14-01		11146743	Plug assembly	1	
	T100	14-01		11146736	Pressure filter adapter assembly	1	
	T250	14-01		11128665	Screw, M8 x 25	3	
	T350	14-01		11146745	Filter adapter gasket	1	
	F (metric)	QT025	14-01		5000463	O-ring, (metric port configuration)	1
QT055		14-01		001131 (9004201-2500)	O-ring	1	
QT150		14-01		11004919	Filter assembly	1	
T015		14-01		11146739	Filter adapter screw	1	
T025		14-01		11163465	Plug assembly, M14, (metric port configuration)	1	
T035		14-01		761148 (9004100-0260)	O-ring	1	
T045		14-01		314500 (9004100-1250)	O-ring	1	
T055		14-01		11146743	Plug assembly	1	
T100		14-01		11164441	Pressure filter adapter assembly, (metric port configuration)	1	
T250		14-01		11128665	Screw, M8 x 25	3	
T350		14-01		11146745	Filter adapter gasket	1	
L					no parts		
P		T050	14-01		664524 (9005110-9000)	Plug assembly	2



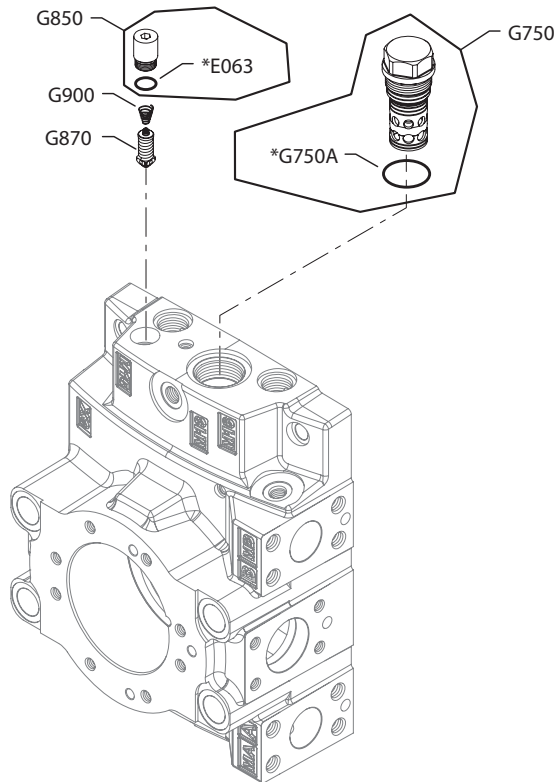
Variable displacement pump

(18-34)



generic end caps shown

(GAF, GAG, GAH, GAJ, GAK & GAL)



E103 647E

* = included in overhaul seal kit Q210



Variable displacement pump

Charge pressure relief

Order Code	Item	Date Begin	Date End	Part Number	Part Name	Qty. per Model/Kit
18-22	QV10	14-01		11137578	Charge relief valve kit	1
	V024	14-01		001149 (9004201-6200)	O-ring	1
24-34	QV10	14-01		11137579	Charge relief valve kit	1
	V022	14-01		066159	Seal nut, M12 x 1.5	1
	V024	14-01		001149 (9004201-6200)	O-ring	1

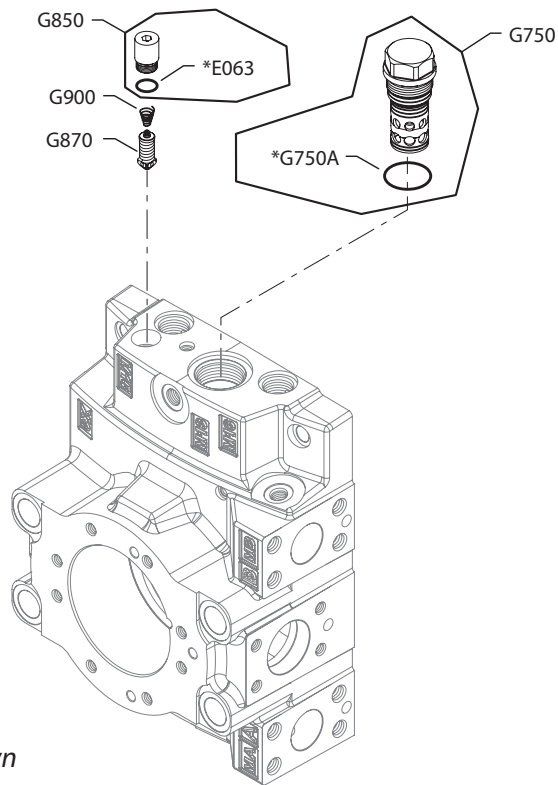
ISL settings

GAF	E063	14-01		001131 (9004201-5000)	O-ring	1
	G750	14-01		11155320	ISL valve assembly, 5.5 increased flow	1
	G750A	14-01		140866	O-ring	1
	G850	14-01		11126727	Plug assembly	1
	G870	14-01		3103375-0140	SCR valve assembly, 140 bar [2030 psi]	1
	G900	14-01		4800780	Spring	1
	GAG	E063	14-01		001131 (9004201-5000)	O-ring
G750		14-01		11155320	ISL valve assembly, 5.5 increased flow	1
G750A		14-01		140866	O-ring	1
G850		14-01		11126727	Plug assembly	1
G870		14-01		3103375-0175	SCR valve assembly, 175 bar [2538 psi]	1
G900		14-01		4800780	Spring	1
GAH		E063	14-01		001131 (9004201-5000)	O-ring
	G750	14-01		11155320	ISL valve assembly, 5.5 increased flow	1
	G750A	14-01		140866	O-ring	1
	G850	14-01		11126727	Plug assembly	1
	G870	14-01		3103375-0210	SCR valve assembly, 210 bar [3045 psi]	1
	G900	14-01		4800780	Spring	1
	GAJ	E063	14-01		001131 (9004201-5000)	O-ring
G750		14-01		11155320	ISL valve assembly, 5.5 increased flow	1
G750A		14-01		140866	O-ring	1
G850		14-01		11126727	Plug assembly	1
G870		14-01		3103375-0230	SCR valve assembly, 230 bar [3335 psi]	1
G900		14-01		4800780	Spring	1
GAK		E063	14-01		001131 (9004201-5000)	O-ring
	G750	14-01		11155320	ISL valve assembly, 5.5 increased flow	1
	G750A	14-01		140866	O-ring	1
	G850	14-01		11126727	Plug assembly	1
	G870	14-01		3103375-0250	SCR valve assembly, 250 bar [3625 psi]	1
	G900	14-01		4800780	Spring	1
	GAL	E063	14-01		001131 (9004201-5000)	O-ring
G750		14-01		11155320	ISL valve assembly, 5.5 increased flow	1
G750A		14-01		140866	O-ring	1
G850		14-01		11126727	Plug assembly	1
G870		14-01		3103375-0140	SCR valve assembly, 140 bar [2030 psi]	1
G900		14-01		4800780	Spring	1



Variable displacement pump

(GAM, GAN, GAP, GAR & MAL)



generic end cap shown


Variable displacement pump
ISL settings

Order Code	Item	Date Begin	Date End	Part Number	Part Name	Qty. per Model/Kit
GAM	E083	14-01		001131 (9004201-5000)	O-ring	1
	G750	14-01		11137581	ISL valve assembly, 4.4 increased flow	1
	G750A	14-01		140866	O-ring	1
	G850	14-01		11126727	Plug assembly	1
	G870	14-01		3103375-0175	SCR valve assembly, 175 bar [2538 psi]	1
	G900	14-01		4800780	Spring	1
	GAN	E083	14-01		001131 (9004201-5000)	O-ring
G750		14-01		11137581	ISL valve assembly, 4.4 increased flow	1
G750A		14-01		140866	O-ring	1
G850		14-01		11126727	Plug assembly	1
G870		14-01		3103375-0210	SCR valve assembly, 210 bar [3045 psi]	1
G900		14-01		4800780	Spring	1
GAP		E083	14-01		001131 (9004201-5000)	O-ring
	G750	14-01		11137581	ISL valve assembly, 4.4 increased flow	1
	G750A	14-01		140866	O-ring	1
	G850	14-01		11126727	Plug assembly	1
	G870	14-01		3103375-0230	SCR valve assembly, 230 bar [3335 psi]	1
	G900	14-01		4800780	Spring	1
	GAR	E083	14-01		001131 (9004201-5000)	O-ring
G750		14-01		11137581	ISL valve assembly, 4.4 increased flow	1
G750A		14-01		140866	O-ring	1
G850		14-01		11126727	Plug assembly	1
G870		14-01		3103375-0250	SCR valve assembly, 250 bar [3625 psi]	1
G900		14-01		4800780	Spring	1
MAL		E063	14-01		001131 (9004201-5000)	O-ring
	G750	14-01		11137581	ISL valve assembly, 4.4 increased flow	1
	G750A	14-01		140866	O-ring	1
	G850	14-01		11126727	Plug assembly	1
	G870	14-01		3103375-0140	SCR valve assembly, 140 bar [2030 psi]	1
	G900	14-01		4800780	Spring	1


Variable displacement pump
Overhaul seal kit

Order Code	Item	Date Begin	Date End	Part Number	Part Name	Qty. per Model/Kit
	Q210	14-01		11178090	Overhaul seal kit, H1P210-250 (SB-2016-034)	1
	D060	14-01		612291 (9003508-0008)	Seal nut	1
	D150	14-01		11173377	Control gasket (SB-2016-033)	1
	D611	14-01		11066774	O-ring	2
	E020	14-01		545434	O-ring	2
	E025	14-01		11075562	Piston ring	2
	E083	14-01		001131	O-ring	1
	E250	14-01		733295	O-ring	2
	E500	14-01		649822	Seal nut	1
	E550	14-01		649822	Seal nut	1
	G150	14-01		11061613	End cap gasket	1
	G750A	14-01		140866	O-ring	1
	J250	14-01		11024711	Lip seal	1
	J260	14-01		056754	O-ring	1
	K150	14-01		11002236	Adapter seal	1
	K150	14-01		11069670	Adapter seal	1
	L022	14-01		504207	O-ring	2
	L024	14-01		336826	Seal nut, M10 x 1	2
	L060	14-01		365023	O-ring	2
	L068	14-01		11052201	O-ring	2
	QD26	14-01		11001952	O-ring	2
	QD81	14-01		11152257	O-ring	1
	QD751	14-01		001131	O-ring	1
	QH131	14-01		11013397	O-ring	1
	S300	14-01		11126778	Seal ring	2
	T035	14-01		761148 (9004100-0260)	O-ring	1
	T045	14-01		314500 (9004100-1250)	O-ring	1
	T350	14-01		11146745	Filter adapter gasket	1
	V022	14-01		066159	Seal nut, M12 x 1.5	1
	V024	14-01		001149 (9004201-6200)	O-ring	1



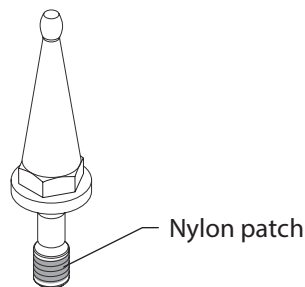
Service Bulletin: SB-2016-028

Products affected H1 pumps

Subject Swashplate feedback link update

Description Danfoss Power Solutions has made a product improvement to the swashplate link on H1 pumps. A nylon coating has been added to the link threads.

The new part can be substituted for the old part, but the old part cannot be substituted for the new. The old part is obsolete.



Models affected H1 45/53cc, 60/68cc, 69/78cc, 89/100cc, 115/130cc, 147/165cc, 210/250cc pumps.

Serial numbers This change became effective on A-16-22-23606 (June 2, 2016)

Part numbers affected

Description	Old part number	New part number
Swashplate feedback link	140724	11148827

Parts disposition ■ Non-interchangeable - can substitute new for old



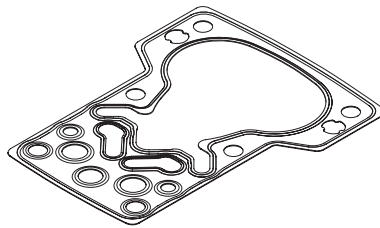
Service Bulletin: SB-2016-033

Products affected H1 pumps and tandems, MP1 and M46 control kits

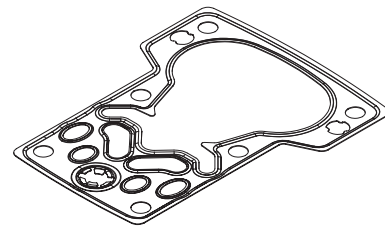
Subject Control Gasket

Description Danfoss Power Solutions has made a two-part design change to the control gasket used on H1 pumps and tandems and in MP1 and M46 control kits. The electrical displacement controls (EDC) have changed from an 8mm port to 12mm with tabs on the pressure port. The interim gasket used in the manual displacement controls has changed from a 10mm port to 12mm with tabs in the pressure port.

The gasket is now a common part to all pump models and control service kits. The new part can be substituted for the old part, but the old part cannot be substituted for the new part.



Old gasket



New gasket

Models affected H1 pumps and tandems, MP1 control kits, M46 control kits

Serial numbers
 H1 Pumps - This change became effective on N-16-36-30132
 H1 Tandems - This change became effective on N-16-37-30132
 MP1 Control Kits - This change became effective on N-16-32-xxxxx
 M46 Control Kits - This change became effective on N-16-32-xxxxx

Part numbers affected

Description	Old part number	New part number
Electrical displacaeement control gasket	140879	11173377
Manual displacaeement control gasket	11159911	11173377

Parts disposition ■ Non-interchangeable - can substitute new for old


Service Bulletin: SB-2016-034

Products affected H1 45/53cc, 60/68cc, 69/78cc, 89/100cc, 115/130cc, 147/165cc, 210/250cc pumps and tandem pumps

Subject Overhaul Seal Kit change

Description A change has been made to the overhaul seal kits for H1 45/53cc, 60/68cc, 69/78cc, 89/100cc, 115/130cc, 147/165cc and 210/250cc pumps and tandems.

The new 12mm pressure port control gasket (see SB-2016-033) has been added to the overhaul seal kit and the old control gasket has been removed. The old control gasket is not interchangeable with the new control gasket. The new seal kits can be substituted for old seal kits, but old seal kits cannot be substituted for new seal kits.

The overhaul seal kit part numbers have changed.

Models affected H1 45/53cc, 60/68cc, 69/78cc, 89/100cc, 115/130cc, 147/165cc, 210/250cc pumps and tandem pumps

Serial numbers This change became effective on N-16-41-xxxxx

Part numbers affected

Description	Old part number	New part number
Overhaul seal kit, H1P045-053	11134090	11178402
Overhaul seal kit, H1P060-068	11086556	11178403
Overhaul seal kit, H1T045-053	11134091	11178404
Overhaul seal kit, H1T060-068	11177381	11178405
Overhaul seal kit, H1T045-053, special	4510470	11178406
Overhaul seal kit, H1P045-053, special	11016546	11178407
Overhaul seal kit, H1T060-068, special	11147118	11178408
Overhaul seal kit, H1P069-078	11003521	11178086
Overhaul seal kit, H1P089-100	11008585	11178087
Overhaul seal kit, H1P115-130	11003522	11178088
Overhaul seal kit, H1P147-165	11000687	11178089
Overhaul seal kit, H1P210-250	11070641	11178090
Overhaul seal kit, TMP EDC, MDC	11145298	11179930

Parts disposition ■ Non-interchangeable - can substitute new for old



Products we offer:

- Bent Axis Motors
- Closed Circuit Axial Piston Pumps and Motors
- Displays
- Electrohydraulic Power Steering
- Electrohydraulics
- Hydraulic Power Steering
- Integrated Systems
- Joysticks and Control Handles
- Microcontrollers and Software
- Open Circuit Axial Piston Pumps
- Orbital Motors
- PLUS+1® GUIDE
- Proportional Valves
- Sensors
- Steering
- Transit Mixer Drives

Danfoss Power Solutions is a global manufacturer and supplier of high-quality hydraulic and electronic components. We specialize in providing state-of-the-art technology and solutions that excel in the harsh operating conditions of the mobile off-highway market. Building on our extensive applications expertise, we work closely with our customers to ensure exceptional performance for a broad range of off-highway vehicles.

We help OEMs around the world speed up system development, reduce costs and bring vehicles to market faster.

Danfoss – Your Strongest Partner in Mobile Hydraulics.

Go to www.powersolutions.danfoss.com for further product information.

Wherever off-highway vehicles are at work, so is Danfoss.

We offer expert worldwide support for our customers, ensuring the best possible solutions for outstanding performance. And with an extensive network of Global Service Partners, we also provide comprehensive global service for all of our components.

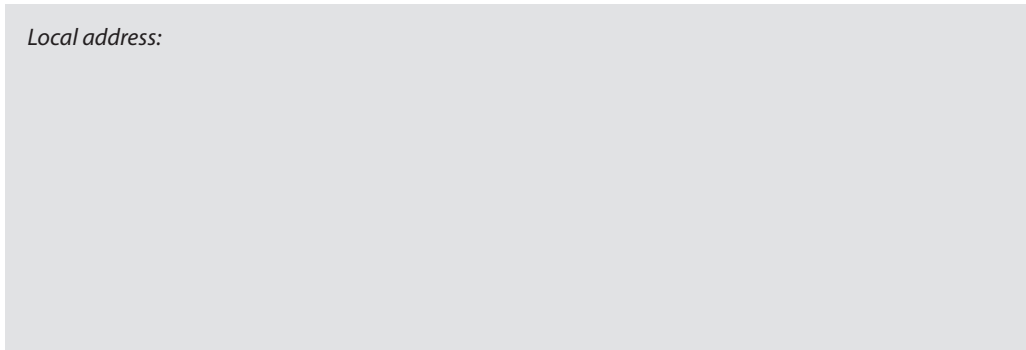
Please contact the Danfoss Power Solution representative nearest you.

Comatrol
www.comatrol.com

Turolla
www.turollaocg.com

Hydro-Gear
www.hydro-gear.com

Daikin-Sauer-Danfoss
www.daikin-sauer-danfoss.com



Local address:

Danfoss Power Solutions US Company
2800 East 13th Street
Ames, IA 50010, USA
Phone: +1 515 239 6000

Danfoss Power Solutions GmbH & Co. OHG
Krokamp 35
D-24539 Neumünster, Germany
Phone: +49 4321 871 0

Danfoss Power Solutions ApS
Nordborgvej 81
DK-6430 Nordborg, Denmark
Phone: +45 7488 2222

Danfoss Power Solutions
22F, Block C, Yishan Rd
Shanghai 200233, China
Phone: +86 21 3418 5200

Danfoss can accept no responsibility for possible errors in catalogues, brochures and other printed material. Danfoss reserves the right to alter its products without notice. This also applies to products already on order provided that such alterations can be made without subsequential changes being necessary in specifications already agreed. All trademarks in this material are property of the respective companies. Danfoss and the Danfoss logotype are trademarks of Danfoss A/S. All rights reserved.